

# TESY

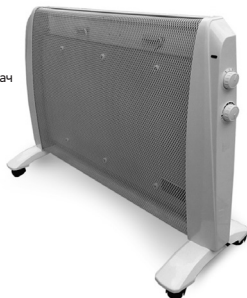
It's impressive

- EN** ELECTRIC CONVECTOR 2-5  
Operation and Storage Manual of Electric convector Equipped with MICA Heating Element
- BG** ЕЛЕКТРИЧЕСКИ КОНВЕКТОР 6-9  
Инструкция за експлоатация и съхранение на електрически конвектор с MICA нагревател
- RO** CONVECTOR ELECTRIC 10-13  
Instrucțiuni de utilizare și depozitare a convectorului de electric cu încălzitor MICA
- HR** ELEKTRIČNI KONVEKTOR 14-17  
Upute za rukovanje i skladištenje električni konvektora sa MICA grijačem
- GR** ΗΛΕΚΤΡΙΚΟΣ ΘΕΡΜΟΠΟΜΠΟΣ / CONVECTOR 18-22  
Εγχειρίδιο εγκατάστασης και αποθήκευσης ηλεκτρικού - θερμοπομπού με θερμικό στοιχείο από υλικό MICA
- ES** CONVECTOR ELÉCTRICO 23-26  
Instrucciones de uso y almacenamiento de convector eléctrico calentador MICA
- PT** CONVETOR ELÉTRICO 27-30  
Instruções de exploração e armazenamento do elétrico de convecção com aquecedor MICA
- RU** ЭЛЕКТРИЧЕСКИЙ КОНВЕКТОР 31-34  
Инструкция по эксплуатации и сохранение электрический конвектора с MICA нагревателем
- LT** ELEKTRINIS KONVEKTORIUS 35-38  
Elektrinis konvektoriaus su MICA šildytuvu eksploatavimo ir saugojimo instrukcija
- LV** ELEKTRISKAIS KONVEKTORS 39-42  
Eksploatācija un uzglabāšana instrukcija elektriskais konvektoram ar sildelementu MICA
- PL** KONWEKTOR ELEKTRYCZNY 43-47  
Instrukcja użytkowania i przechowywania konwektora elektryczny z nagrzewnicą MICA
- RS** ЕЛЕКТРИЧНИ КОНВЕКТОР 48-51  
Упутства за употребу и складиштење електрични конвектора с MICA грејачем
- UA** ЕЛЕКТРИЧНИЙ КОНВЕКТОР 52-55  
Інструкція з експлуатації та зберігання електричний конвектора з обігрівачем MICA
- EE** ELEKTRILINE KONVEKTOR 56-59  
Elektrilini konvektori MICA kasutamiga kasutus- ja hoidmisjuhend
- MK** ЕЛЕКТРИЧНИ КОНВЕКТОР 60-63  
Упатство за употреба и складирање на електрични конвектор со MICA грејач



CN 221 MC

220-240V~ 50Hz 1200/2000W



**EN** This product is only suitable for well insulated spaces or occasional use. | **BG** Този продукт е подходящ само за надеждно изолирани помещения или нередовна употреба. | **RO** Acest produs este potrivit numai pentru încăperi izolate în mod corespunzător sau de uz neregulat. | **HR** Ovaj proizvod je prikladan samo za pouzdano izolirane sobe ili povremenu upotrebu. | **GR** Αυτό το προϊόν είναι κατάλληλο μόνο για αξιόπιστα μονωμένα δωμάτια ή χρησιμοποιείται για «συντροφιά». | **UA** Цей прилад призначається для опалення добре ізольованих приміщень або для нерегулярного використання. | **RU** Этот продукт подходящий только для изолированных комнат или нерегулярного использования. | **LT** Šis produktas tinka tik patikimai izoliuotoms patalpoms arba nereguliariam naudojimui. | **LV** Šis produkts ir paredzēts tikai droši izolētām telpām vai neregulārai lietošanai. | **ES** Este producto sólo es adecuado para habitaciones que estén bien aisladas o para uso irregular. | **PT** Este produto é adequado somente para compartimentos com isolamento e/ou para uso não frequente. | **EE** Toode on sobiv üksnes õigesti isoleeritud ruumide jaoks või ebaregulaarseks kasutamiseks. | **RS** Ovaj proizvod je prikladan samo za pouzdano izolovane sobe ili povremenu upotrebu. | **MK** Ovoj proizvod e namenet samo za sigurno izolirani prostori ili нередовна употреба. | **PL** Produkt ten nadaje się do użycia tylko w należycie izolowanym pomieszczeniu oraz jedynie dla niecodziennego wykorzystania.

## IMPORTANT SAFETY MEASURES AND PRECAUTIONS:



### WARNING!

- Please read this manual before operating the appliance and keep it at a safe place for future reference. In case the appliance is obtained by a new owner, it should be transferred together with its manual.
- **CAUTION:** Children under 3 years of age should be kept away from the appliance unless they are under constant supervision.

Children from 3 to 8 years of age are allowed to operate the on/off button ONLY, provided that the appliance is installed and ready for operation and such children have been supervised and instructed in safe operation of the appliance and they understand all related risks.

Children from 3 to 8 years of age **MUST NOT:** connect the plug to power sockets, make adjustments, clean it or carry out user maintenance operations.

This appliance can be used by children older than 8 years of age and by people with reduced physical, sensor and mental capabilities, as well as by people with insufficient experience and knowledge provided they are supervised or instructed in safe operation of the appliance and understand the related risks.

Children should not be allowed to play with the appliance. Cleaning and user maintenance operations must not be carried out by children without supervision.

- This appliance is not intended for use by persons (including children) with reduced physical, sensory or mental capabilities, or lack of experience and knowledge, unless they have been given supervision or instruction concerning use of the appliance by a person responsible for their safety.

Children should be supervised to ensure that they do not play with the appliance.

- **CAUTION:** Some of the appliance parts may get very hot during operation and thus cause burns to users. In case there are children and vulnerable people in the room, special attention should be paid.



- **WARNING:** In order to avoid overheating, do not cover the appliance!
- The appliance should not be positioned right under a power socket!
- If the supply cord is damaged, it must be replaced by the manufacturer, its service agent or similarly qualified persons in order to avoid a hazard.
- Before operating the appliance – check if the voltage

indicated on the appliance technical plate corresponds to the voltage of the electricity, supplied to your place.

- This appliance must be used only for the operations it has been designed and intended for, i.e. heating of domestic premises. This appliance is not intended for commercial application. Every kind of different application is considered improper and consequently dangerous. The manufacturer does not bear responsibility for malfunctions resulting from improper and irrational operation. Non-adherence to these safety instructions will render the guarantee terms invalid!
- **DO NOT** leave your place while the appliance is operating: ensure that the power switch knob is switched to OFF position. Always disconnect the power plug from the socket.
- Keep inflammable objects, such as furniture, pillows, bedding, paper, clothes, curtains etc. at a distance of at least 100 cm away from the electric convector.
- Do not operate the appliance in areas of use or storage of combustible substances. Do not operate the appliance in areas of combustible media (for example in close proximity to inflammable gases or aerosols) – there is great risk of explosion and fire!
- Do not insert and do not allow foreign objects to enter the ventilation openings (inlet and outlet) because this will cause electric shock, fire or will damage the electric convector.
- This appliance is not suitable for animal breeding and it is intended for domestic use only!
- Keep the air inlet and outlet clear of any objects: unobstructed distance of at least 1 metre in front and 1 metre behind the electric convector should be provided.
- The most common cause of overheating is fluff and dust deposits in the appliance. Clean the ventilation openings regularly with a vacuum cleaner. Before that disconnect the power plug from the socket.
- Never touch the appliance with damp or wet hands – there is danger for your life!
- The power socket must be easily accessible all the time in case the power plug has to be disconnected as fast as possible! Never pull the power cord or the appliance itself in order to disconnect it from the mains.
- **ATTENTION!** Outgoing air gets hot during operation (up to more than 100°C).
- Do not cover the appliance. If the appliance gets covered, there is risk of overheating.
- If the appliance is damaged or does not work properly, stop it and do not repair it yourself. For any kind of repairs call for assistance after-sale service centre. This is the place where you will have your broken part replaced with an original one. Non-adherence to this instruction will compromise the appliance safety.
- If you decide to stop using such kind of appliance, it is advisable to render it unusable by cutting its power cord after disconnecting it from the mains.

It is advisable all possible dangers related to the appliance to be prevented, especially in relation to children that may play with out-of-use appliances.

- Never keep the appliance unnecessarily switched on. Disconnect it from the power socket when you do not intend to use it for a long period of time.
- **Warning:** Do not use this appliance with a programming device, counter or any other device which can automatically switch it on, because if the appliance is covered or improperly positioned this may cause fire.
- Position the power cord in such a way that it does not obstruct the free movement of people and cannot be stepped on! Use only approved extension cords which are suitable for this appliance, i.e. have got a conformity sign!
- Never move the appliance by pulling its power cord and do not use the power cord for carrying objects!
- Do not bend the power cord and do not stretch it over sharp edges, do not position it over hot plates or open flames!
- Never use this appliance in close proximity to wet premises – bathroom, a shower cabin or a swimming pool!
- **WARNING:** To reduce the risk of fire, keep textiles, curtains, or any other flammable material a minimum distance of 1m from the air outlet.
- Do not use this heater in the immediate surroundings of a bath, a shower or a swimming pool.
- Do not use this heater if it has been dropped.
- Do not use it if there are visible signs of damage to the heater.
- Use this heater on a horizontal and stable surface, or fix it to the wall, as applicable.
- **WARNING:** Do not use the heater in small rooms, when they are occupied by persons not capable of leaving the room in their own, unless constant supervision is provided.

### PACKING

- After unpacking the appliance, check if all its elements are included in the packing and that it has not been damaged during transportation! In case damage or incomplete delivery is found, contact your authorized retailer!
- Do not throw away the original packing! It could be used for storage and transportation purposes in order to avoid damages during transportation!
- Disposal of packing materials should be done in the appropriate way! Children should be prevented from playing with polyethylene bags!

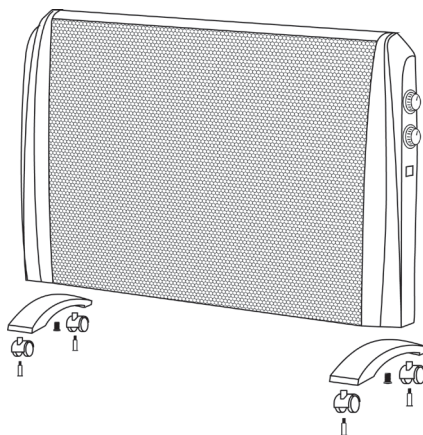
Thank you for choosing electric convector CN 221 MC. This is a product providing heating in winter depending on the consumers' needs for comfortable room temperature. If operated and taken care of properly in accordance with these instructions, the appliance will

provide you with many years of useful operation.

### INSTALLATION AND OPERATIONS INSTRUCTIONS

Before operating your electric convector:

Please check if the two sets of castor wheels are properly attached to each foot of the appliance by the suitable screws.



Set the electric convector into correct working position before connecting it to the electric system.

- The appliance is equipped with a power selection switch. „I“ stands for 1200W, „II“ stands for 2000W. The total maximum power when both power levels are on is 2000W.
- The appliance is equipped with thermo-regulator sensitive to ambient temperature. You can turn thermo-regulator knob until the desired room temperature is achieved (the size of the heated room has to conform to the power of the appliance; in case the desired room temperature can not be achieved, an additional electric convector needs to be operated). You may turn thermostat knob clockwise to maximum level (HI) and when the desired room temperature is achieved you have to turn the switch counter-clockwise slowly until a “ticking” sound is heard. After that the appliance will maintain the room temperature at the adjusted level by switching on and off automatically.
- The appliance has got an in-built anti-frost function. In case you decide to use the appliance in a room, where minimum temperature is to be maintained (winter gardens, cellars or attics), the appliance has to be adjusted to the desired heating level (level I, level II or both), the thermostat knob has to be turned counter-clockwise until it reaches the smallest indicator reading. In this position the appliance will maintain room temperature in the range of  $5\pm 2^{\circ}\text{C}$  – i.e. it will periodically switch on and off, maintaining the adjusted level of temperature comfort in the room.

- The available power levels are presented indicatively.



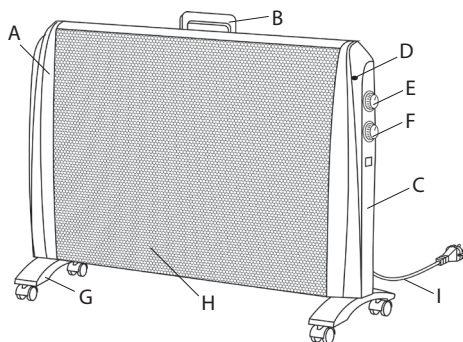
**Note:** The device shows the temperature around the location of the sensor and is not a means of accurately measuring the ambient temperature.

### MOVING OF THE APPLIANCE:

If the appliance has to be moved, switch it off by the Heater switch and if a fan is available in your appliance switch it off by the Fan switch. Take the power plug out of the power socket, holding the appliance handles with both hands, move it to its new position, having in mind that the appliance must get cold (cooled down) before doing this. Moving hot appliances may lead to undesired consequences for the user like burns or entering of inflammable materials entering the electric convector during its movement.

### DESCRIPTION OF MAIN PARTS:

- Left end cap of the electric convector
- Handle
- Right end cap of the electric convector
- Signal lamp
- Heating adjustment switch
- Thermostat switch
- Foundation of the appliance
- Protection grille
- Power cord



### IN-BUILT OVERTURN (FALL) PROTECTION SWITCH

The electric convector has got an in-built overturn protection switch. In case the electric convector overturns, the power supply will be stopped. Let the electric convector cool down and then put it into upright position again. The appliance will restore its normal operation.

### AUTOMATIC SAFETY STOP

There is an in-built device in the electric convector (self-restoring thermal switch), which actuates automatically and switches off the electric convector in case of

overheating. The thermal switch will restore its normal state when the appliance temperature decreases to its normal level.



### Important!

It is possible during initial operation of the appliance a specific odour to be emitted. This is normal at the initial period of operation. Ensure that the electric convector is used in a well-ventilated room and let it work until the odour disappears.

You may hear a specific sound resembling popping until the electric convector warms up. This is normal and the electric convector operates in normal mode. As soon as the electric convector warms up this sound will disappear.

### CLEANING

- It is compulsory first to switch off the appliance and disconnect its power cord from the socket. Before starting cleaning the electric convector you should wait until it cools down after disconnecting it from the power socket.
- Clean the body of the appliance with a damp cloth, vacuum cleaner or soft brush.
- Never immerse the appliance into water – there is danger to your life from electric shock!
- Never use petrol, thinner or coarse abrasive products for cleaning because they will damage the surface coating of the appliance.

### STORAGE

- Before putting away the electric convector let it cool down after disconnecting it from the power socket.
- Use the original packing for storing the electric convector if it will not be used for a certain period of time. The product is protected from excessive dust and dirt when it is kept in its original packing.
- Never put a hot appliance into its packing!
- The product is necessary to be stored at a dry place away from direct sunlight.
- It is explicitly forbidden to store the appliance in wet or damp premises.

### PRODUCT PACKING SET INCLUDES:

Electric convector	1 pc.
Castors	2 pcs.
Manual	1 pc.
Guarantee certificate	1 pc.

### TECHNICAL CHARACTERISTICS OF THE APPLIANCE:

Model	Rated power	Rated voltage	Rated frequency
CN 221 MC	2000W	220-240V~	50Hz



### Environment protection instructions

Old electric appliances contain valuable materials and therefore should not be disposed of as domestic waste! We ask you for your active cooperation to protect the resources and the environment by submitting your appliance to organized buy-back stations (if there are such).

**TABLE 2: INFORMATION REQUIREMENTS FOR ELECTRIC LOCAL SPACE HEATERS**

Model identifier(s): CN 221 MC/HP1001-20

Item	Symbol	Value 1.	Unit	Item	Unit
Heat output				Type of heat input for electric storage local space heaters only (select one)	
Nominal heat output	P <sub>nom</sub>	2.0	kW	Manual heat charge control, with integrated thermostat	No
Minimum heat output (indicative)	P <sub>min</sub>	1.260	kW	Manual heat charge control, with room and/or outdoor temperature feedback	No
Maximum continuous heat output (indicative)	P <sub>max,C</sub>	2.050	kW	Electric heat charge control, with room and/or outdoor temperature feedback heat charge control, with integrated thermostat	No
Auxiliary electricity consumption				Fan assisted head output	No
At nominal heat output	eI <sub>max</sub>	N/A	kW	<b>Type of heat output/room temperature control (select one)</b>	
At minimum heat output	eI <sub>min</sub>	N/A	kW	Single stage heat output and no room temperature control	No
In standby mode	eI SB	N/A	kW	Two or more manual stages, no room temperature control	No
				With mechanic thermostat room temperature control	Yes
				With electronic room temperature control	No
				With electronic room temperature control plus day timer	No
				With electronic room temperature control plus week timer	No
				<b>Other control options (multiple selections possible)</b>	No
				Room temperature control, with presence detection	No
				Room temperature control, with open window detection	No
				With distance control option	No
				With adaptive start control	No
				With working time limitation	No
				With black bulb sensor	No

TESY Ltd - Head office

1166 Sofia, Sofia Park,

Building 16V, Office 2.1. 2nd Floor

PHONE: +359 2 902 6666,

FAX: +359 2 902 6660,

office@tesy.com



## ВНИМАНИЕ!

- Прочетете настоящите инструкции преди да използвате този уред и съхранявайте тези указания за бъдещо ползване. При смяна на собственика, инструкцията за експлоатация трябва да се предава заедно с уреда.

- **ВНИМАНИЕ:** Деца на по-малко от 3 години, трябва да се държат на разстояние, освен ако не са под непрекъснато наблюдение.

Деца на възраст от 3 години до 8 години могат само да използват бутона вкл./изкл. на уреда, при условие, че уреда е инсталиран и е готов за нормална работа и са били наблюдавани и инструктирани относно използването му по безопасен начин и разбират, че може да е опасно.

Деца на възраст от 3 години до 8 години не трябва да включват уреда в контакта, да го настройват, да го почистват или да извършват потребителска поддръжка.

Този уред може да се използва от деца на възраст над 8 години и лица с ограничени физически, сетивни или умствени способности, или с недостатъчен опит и познания, ако те са наблюдавани или инструктирани относно безопасното използване на уреда и разбират опасностите. Децата не трябва да си играят с уреда. Почиставане и потребителска поддръжка не трябва да се прави от деца без наблюдение.

- Този уред не е предназначен за употреба от лица (включително деца) с намалени физически, сетивни или умствени способности или липса на опит и познания, освен ако не са били наблюдавани или инструктирани относно използването на уреда от лице, отговорно за тяхната безопасност.

Децата трябва да бъдат наблюдавани, за да се гарантира, че не си играят с уреда

- **ВНИМАНИЕ:** Някои части на този продукт може да станат много горещи и да предизвикат изгаряния. Там където, присъстват деца и уязвими хора, трябва да бъде предоставено специално внимание.

- **ПРЕДУПРЕЖДЕНИЕ:** За да се избегне прегряване, не покривайте уреда!



- Уреда не трябва да се поставя непосредствено под щепселна кутия!
- Когато захранващият шнур се повреди, той трябва да се замени от производителя или негов сервизен представител, или подобно квалифицирано лице, за да се избегне опасност.
- Преди да включите уреда – проверете дали посоченото напрежение върху типовата табелка съответства на напрежението доставяно до дома Ви.
- Този уред трябва да се използва само по предназначението, за което е бил предвиден, т.е. да

отоплява битови помещения. Уреда не е предназначен за търговски цели. Всяка различна употреба да се счита за неправилна и следователно опасна. Производителят не може да носи отговорност за повреди, произтичащи от неправилна и неразумна употреба. Неспазване на информацията за безопасност ще направи невалидна поетата гаранция за уреда!

- Не напускайте дома си, докато уреда е включен: уверете се, че ключа е в изключено положение. Винаги изваждайте щепсела на уреда от контакта.
- Дръжте запалими предмети, като мебели, възглавници, спално бельо, хартия, дрехи, пердета и т.н. на разстояние от поне 100 см далеч от конвекторната печка.
- Не използвайте уреда в зони където се използват или съхраняват огнеопасни вещества. Не използвайте уреда в зони със запалими атмосферни (например: в близост до запалими газове или аерозоли) – съществува много голяма опасност от експлозия и пожар!
- Не вкарвайте и не допускайте чужди тела да попаднат в отворите за вентилация(входящи или изходящи), тъй като това ще причини токов удар, пожар или повреда в конвектора.
- Уреда не е подходящ за отглеждане на животни, и същия е предвиден само за домашно ползване!
- Пазете входа и изхода на въздушния поток свободни от предмети: поне на разстояние от 1 м пред и 1 м зад конвектора.
- Най-често срещаната причина за прегряване е натрупването на мът и прах в уреда. Редовно почиствайте с прахосмукачка вентилационните отвори, като преди това задължително изключите уреда от електрическата мрежа.
- Никога не пипайте уреда с мокри или влажни ръце- съществува опасност за живота!
- Контактa трябва да бъде достъпен по всяко време, за да може щепсела да бъде освобождаван при нужда възможно най-бързо ! Никога не телгете захранващия шнур или самия уред при изключване от мрежата .
- Обърнете внимание! Изходящия въздух се загрява по време на работа (до повече от 100°C).
- Не покривайте уреда. Ако е покрит има опасност от прегряване.
- Ако уреда не е в ред или функционира неправилно, спрете го и не го ремонтирайте. За всякакви ремонти се обърнете за съдействие към Сервизния Център за след продажбено обслужване. Само там ще подменят дефектиралата част с оригинална резервна такава. Не спазването на това условие ще компрометира безопасността на уреда.
- Ако решите да престанете да използвате уред от този тип, препоръчва се да го направите неизползваем, като срежете шнура, след като сте го изключили от мрежата. Препоръчва се още всички опасности, свързани с уреда да бъдат обезопасени, особено за деца, които биха могли да използват амортизираното устройство(уредa) за игра.
- Никога не оставяйте ненужно уреда включен.

Изключвайте го от захранващата мрежа, когато няма да го ползвате дълго време.

- **Внимание:** Не използвайте този уред с програмактор, брояч или друг уред който автоматично го включва тъй като, ако уреда е покрит или неправилно поставен съществува опасност от пожар.
- Поставете захранващия шнур, така че да не пречи на движението на хората и да не бъде настъпван! Използвайте само одобрени удължители, които са подходящи за уреда, т.е. имат знак за съответствие!
- Никога не премествайте уреда, като го дърпате за шнура както и не използвайте шнура за пренасяне на предмети!
- Не пречупвайте шнура и не го дърпайте през остри ръбове и не го поставяйте върху горещи плочи или открит огън!
- Никога не ползвайте този уред в непосредствена близост до баня, до душ или до плувен басейн!
- **ВНИМАНИЕ:** За да намалите риска от пожар, дръжте текстил, завеси или друг запалим материал на минимално разстояние от 1 m от изхода на въздуха.
- Не използвайте този уред в непосредствена близост до вана, душ или плувен басейн.
- Не използвайте този уред, ако е бил изпуснат.
- Не използвайте, ако има видими признаци на повреда на уреда.
- Използвайте този уред върху хоризонтална и стабилна повърхност или го фиксирайте към стената, според случая.
- **ВНИМАНИЕ:** Не използвайте уреда в малки помещения, когато те са обитавани от хора, които не могат да напуснат стаята сами, освен ако не е осигурено постоянно наблюдение.

## ОПАКОВКА

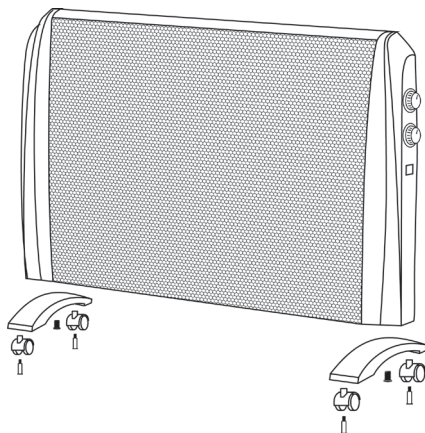
- След разопаковане на уреда, проверете дали при транспортирането не е увреден и дали е напълно окомплектован! В случай че бъде констатирана повреда или непълна доставка, свържете се с Вашия упълномощен продавач!
- Не изхвърляйте оригиналната кутия! Тя би могла да се използва за съхранение и транспортиране, за да се избегнат повреди от превозването!
- Изхвърлянето на опаковъчния материал трябва да става по подходящ начин! Децата трябва да се пазят да не си играят с полиетиленовите торби!

Благодарим Ви, че избрахте конвектор CN 221 MC. Това е изделие, което предлага отопление през зимата в зависимост от нуждите за постигане на комфортна топлина в отопляемото помещение. При правилна експлоатация и грижа, както е описано в тези инструкции, уредът ще Ви осигури много години полезно функциониране.

## ИНСТАЛИРАНЕ И ИЗПОЛЗВАНЕ НА УРЕДА

Преди да включите Вашия панелен конвектор Моля, проверете дали двата комплекта колела са

правилно фиксирани към всеки носач на уреда със съответните винтове.



Поставете конвектора в правилна работна позиция преди да го включите в електрическата захранваща мрежа

- Уреда е окомплектован с ключ за избор на мощност „I“ е за 1200W, „II“ е за 2000W. Общата максимална мощност когато се включат и двете степени е 2000W
- Уреда е окомплектован с терморегулатор чувствителен на околната температура. Можете да завъртате врътката на терморегулатора до достигане на желаната околна температура (помещението което се отоплява е необходимо да бъде съобразено с мощността на уреда, при невъзможност за достигане на желана температура се налага използване на допълнителен отоплителен уред) в помещението. Може да завъртите терморегулатора в посока на часовниковата стрелка на максимална стойност, след като достигне желаната от Вас стайна температура ,трябва да завъртите терморегулатора бавно в посока обратна на часовниковата стрелка ,докато чуете терморегулатора да „цъкне“. След това уреда ще поддържа температурата на въздуха в стаята на зададеното ниво ,чрез включване и изключване автоматично.
- уреда има вградена функция против замръзване(anti-frost). Когато решите да използвате уреда в помещение ,къде е необходимо да се поддържа минимална температура(зимни градини, мазета, тавани) уреда се включва на желаното ниво на отопление(I степен или II степен, или и двете), терморегулатора се завърта обратно на часовниковата стрелка до достигане на най-малкото кръгче от индикацията . При тази позиция уреда гарантира поддържане на околна температура в диапазона  $5\pm 2^{\circ}\text{C}$  –т.е. периодически той ще се включва и изключва, поддържайки зададеното фиксирано ниво на температурен комфорт в помещението.

- Възможните степени са показани индикативно.



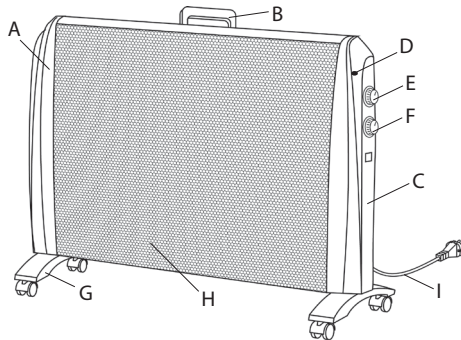
**Забележка:** Уредът показва температурата около местоположението на сензора и не е средство за прецизно измерване на температурата на околната среда.

### ПРЕМЕСТВАНЕ НА УРЕДА:

Ако е необходимо преместване на уреда, изключете чрез ключа, извадете плуга от контакта и с две ръце преместете уреда на новото място, като преместването е необходимо да се осъществи при студен(изстинал) конвектор. Преместването на топъл уред може доведе до нежелани последствия за потребителя, като изгаряне или попадане на запалими материали върху конвектора по време на неговото преместване.

### ОПИСАНИЕ

- Лява страница на конвектора
- Дръжка
- Дясна страница на конвектора
- Сигнална лампа
- Ключ за задаване на степените на нагряване
- Терморегулатор
- Основа на уреда
- Предпазна решетка
- Захранващ шнур



### ВГРАДЕН ИЗКЛЮЧАТЕЛ ЗА ПРЕОБРЪЩАНЕ (ПАДАНЕ)

Конвектора има вграден изключвател за преобръщане, в случай че същия се преобръне, захранващото напрежение ще бъде прекъснато. Оставете го известно време докато се охлади и тогава го изправете отново. Той ще възстанови нормалната си работа.

### АВТОМАТИЧНО ЗАЩИТНО ИЗКЛЮЧВАНЕ

В конвектора има и вградено устройство (самовъзстановяем термоизключвател), който автоматично се задейства и изключва в случай на прегряване и ще се поднови при охлаждане на температурата на уреда.



### Важно!

Възможно е при първото включване на уреда да усетите специфична миризма. Това е нормално за първоначалния период на работа. Уверете се, че конвектора е поставен в добре вентилирано помещение и го оставете да работи, докато изчезне миризмата. Може да чуете и специфичен шум, наподобяващ пукане, докато конвектора се загръва. Това е нормално и конвектора работи в нормален режим. Веднага щом като конвектора се загрее този шум изчезва.

### ПОЧИСТВАНЕ

- Задължително първо изключете уреда от ключа и извадете щепсела от контакта в стената. Преди да започнете да почиствате конвектора, оставете го да изстине като го изключите от контакта
- Почиствайте корпуса с влажна кърпа, прахосмукачка или четка.
- Никога не потапяйте уреда във вода - съществува опасност за живота от токов удар!
- Никога не използвайте бензин, разределител или груби абразивни продукти за почистване, тъй като те ще повредят покритието на уреда

### СЪХРАНЕНИЕ

- Преди да приберете конвектора, оставете го да изстине като го изключите от контакта
- Използвайте оригиналната опаковка за съхранение на конвектора ако същия няма да се използва за известно време. Продукта се предпазва от прекомерно запрашаване и замърсяване като се прибира в оригиналната си опаковка.
- Никога не прибирайте топъл уред в опаковка му!
- Продукта е необходимо да се съхранява в сухо и защитено от пряка слънчева светлина местоположение.
- Изрично се забранява неговото съхраняване във влажни или мокри помещения.

### ОКОМПЛЕКТОВКА В ЕДНА ОПАКОВКА:

Конвектор	1 брой
Крака	2 броя
Инструкция	1 брой
Гаранционна карта	1 брой

### ТЕХНИЧЕСКИ ПАРАМЕТРИ НА УРЕДА:

Модел	Обявена мощност	Обявено захранващо напрежение	Обявена честота
CN 221 MC	2000W	220-240V~	50Hz



### Указания за опазване на околната среда

Старите електроуреди съдържат ценни материали и поради това не трябва да се изхвърлят заедно с битовата смет! Молим Ви да съдействате с активния си принос за опазване на ресурсите и околната среда и да предоставите уреда в организираниите изкупвателни пунктове(ако има такива).



**ТАБЛИЦА 2: ИЗИСКВАНИЯ КЪМ ИНФОРМАЦИЯТА ЗА ЕЛЕКТРИЧЕСКИ ЛОКАЛНИ ОТОПЛITELНИ ТПОЛIОIЗТОЧНИЦИ**

Идентификатори на модела: CN 221 MC/HP1001-20

Позиция	Символ	Стойност 1.	Мерна единица	Позиция	Мерна единица
Топлинна мощност				Вид топлинно зареждане, само за електрически акумулиращи локални отоплителни топлоизточници (изберете един)	
Номинална топлинна мощност	$P_{nom}$	2.0	kW	ръчен регулатор на топлинното зареждане с вграден термостат	[не]
Минимална топлинна мощност	$P_{min}$	1.260	kW	ръчен регулатор на топлинното зареждане с обратна връзка за температурата в помещението и/или навън	[не]
Максимална непрекъснатата топлинна мощност	$P_{max,C}$	2.050	kW	електронен регулатор на топлинното зареждане с обратна връзка за температурата в помещението и/или навън	[не]
Спомагателно потребление на електроенергия				отдавана чрез обдухване топлинна енергия	[не]
При номинална топлинна мощност	$eI_{max}$	N/A	kW	<b>Вид топлинна мощност/регулиране на температурата в помещението (изберете един)</b>	
При минимална топлинна мощност	$eI_{min}$	N/A	kW	една степен на топлинна мощност и без регулиране на температурата в помещението	[не]
В режим готовност	$eI_{SB}$	N/A	kW	Две или повече ръчни степени, без регулиране на температурата на помещението	[не]
				с механичен термостат за регулиране на температурата в помещението	[да]
				с електронен регулатор на температурата в помещението	[не]
				електронен регулатор на температурата в помещението и денонощен таймер	[не]
				електронен регулатор на температурата в помещението и седмичен таймер	[не]
				<b>Други варианти за регулиране (възможен е повече от един избор)</b>	
				регулиране на температурата в помещението с откриване на човешко присъствие	[не]
				регулиране на температурата в помещението с откриване на отворен прозорец	[не]
				с възможност за дистанционно управление	[не]
				с адаптивно управление на пускането в действие	[не]
				с ограничение на времето за работа	[не]
				с датчик във вид на черна полусфера	[не]

ТЕСИ ООД - Главен офис

1166 София, София парк,

Сграда 16V, Офис 2.1. 2-ри етаж

Телефон: +359 2 902 6666,

Факс: +359 2 902 6660,

office@tesy.com

## PRECAUȚII IMPORTANTE ȘI INSTRUCȚIUNI DE SIGURANȚĂ:



### PRUDENȚĂ!

- Citiți instrucțiunile de utilizare înaintea utilizării produsului. Păstrați instrucțiunile de utilizare pe toată durata de viață a produsului, pentru eventuale consultări ulterioare. La schimbarea proprietarului, instrucțiunile trebuie să fie transmise, împreună cu aparatul!

- **PRUDENȚĂ:** Copiii mai mici de 3 ani, trebuie să fie ținute departe, cu excepția cazului în care acestea sunt sub supraveghere constantă.

Copiii în vârstă între 3 și 8 ani pot folosi doar butonul porn./opr. a aparatului cu condiția ca aparatul este instalat și este gata pentru funcționarea normală și au fost monitorizate și instruite cu privire la utilizarea acestuia în condiții de siguranță și înțeleg că ar putea fi periculos. Copiii în vârstă între 3 și 8 ani nu trebuie să sa pună cablul aparatului în priză, să-l seteze sau să efectueze întreținerea.

Acest aparat nu este destinat utilizării de către persoane (inclusiv copii mici), cu capacități fizice, senzoriale sau mentale reduse, precum și lipsa de experiență și cunoștințe cu excepția cazului în care au văzut sau au fost dat instrucțiuni cu privire la utilizarea aparatului de către o persoană responsabilă pentru siguranța lor! Nu lăsați copiii mici să se joace cu aparatul! Curățarea și întreținerea nu trebuie să fie făcută de către copii nesupravegheați.

- Acest aparat nu este destinat utilizării de către persoane (inclusiv copii) cu capacități fizice, senzoriale sau mentale reduse sau cu lipsă de experiență și cunoștințe, cu excepția cazului în care acestea sunt supravegheate sau instruite cu privire la utilizarea aparatului de către o persoană responsabilă pentru siguranța lor.

Copiii trebuie supravegheați pentru a se asigura că nu se joacă cu aparatul.

- **PRUDENȚĂ:** Unele părți acestui aparat pot deveni foarte fierbinți și pot cauza arsuri. Acolo unde sunt copii și persoanele vulnerabile trebuie să se acorde o atenție deosebită.

- **ATENȚIE:** Pentru a evita supraîncălzirea, nu acoperiți aparatul!
- Aparatul nu trebuie să fie așezat direct sub cutia prizei!
- În cazul în care cablul de alimentare este deteriorat, acesta trebuie înlocuit de producător, agentul de service sau de persoane calificate în mod similar, pentru a evita un pericol.



- Înainte de a porni aparatul verificați dacă tensiune din priza electrică de perete corespunde cu voltajul indicat pe plăcuța de informare a instrumentului.
- Acest aparat trebuie folosit numai în scopul pentru care au fost achiziționat, și anume a încălzi camere de utilitate. Aparatul nu este destinat pentru scopuri comerciale. Orice altă utilizare poate fi considerată improprie și, prin urmare, periculoasă. Producătorul nu poate fi tras la răspundere pentru pagubele rezultate din utilizarea incorectă și nerezonabilă. Nerespectarea informațiilor de siguranță va anula garanția aparatului ingerate!
- Nu părăsiți casă în timp ce aparatul este pornit: asigurați-vă că comutatorul este în poziția oprit. Scoateți întotdeauna aparatul de la priza de alimentare.
- Păstrați o distanță între convectoul și obiectele inflamabile, cum ar fi mobila, perne, lenjerie de pat, hârtie, îmbrăcăminte, perdele, de cel puțin 100 de cm de la convectoul.
- Nu utilizați aparatul în zonele în care sunt utilizate sau depozitate substanțe inflamabile. Nu utilizați aparatul în zone cu atmosfere inflamabile (de exemplu: în apropierea gazelor inflamabile sau aerosolilor) - există un pericol extrem de explozie și incendiu!
- Nu introduceți sau nu permite obiecte străine să cadă în orificiile de ventilație (de intrare sau de ieșire), deoarece acest lucru va provoca un șoc electric, incendiu sau deteriorare a convectoului.
- Aparatul nu este potrivit pentru utilizare în creșterea animalelor, acesta este destinat numai pentru uz casnic!
- Păstrați intrarea și ieșirea debitului de aer libere de obiecte: cel puțin la o distanță de 1 m în față și 1 m în spatele convectoului.
- Cea mai frecventă cauză de supraîncălzire este acumularea de scame și praf în unitate. Curățați regulat cu aspirator orificiile de ventilare, dar înainte de aceasta scoateți aparatul de la rețeaua de alimentare.
- Nu atingeți aparatul cu mâini ude - există pericol pentru viață!
- Priză trebuie să fie ușor accesibilă pentru a scoate ștecherul când este nevoie cât mai repede posibil!! Nu trageți niciodată de cablul de alimentare sau de aparatul pentru a-l deconecta de la priză..
- **ATENȚIE!** Aerul de evacuare este încălzit în timpul funcționării (mai mult de 100°C).
- Nu acoperiți aparatul. Dacă este acoperit există pericol de supraîncălzire.
- În cazul în care unitatea nu este în ordine sau funcționează defectuos, opriți - și nu reparați. Pentru orice reparații, pentru asistența contactați Centrul de Servicii pentru servicii post-vanzare. Numai acolo vor înlocui piesa defectuoasă cu piesă originală. Nerespectarea acestei

condiții ar putea compromite siguranța aparatului.

- Dacă decideți să nu mai utilizați un dispozitiv de acest tip, se recomandă să – l faceți inutilizabil, să tăiați cablul, după ce l-ați deconectat de la sursa de alimentare.. Se recomandat toate pericolele asociate cu aparatul să fie protejate, în special pentru copiii care ar putea folosi dispozitivul amortizat (dispozitiv) pentru a se juca cu el.
- Niciodată nu lăsați aparatul pornit inutil. Deconectați-l din rețeaua de alimentare, dacă nu-l veți folosi o perioadă lungă de timp.
- **Atenție:** Nu conectați aparatul la un cronometru, programator sau orice alt dispozitiv care conectează aparatul automat, pentru că există riscul de a lua foc dacă aeroterma este acoperită sau poziționată incorect.
- Conectați cablul de alimentare astfel încât să nu împiedice circulația persoanelor și să nu fie încălcat! Utilizați numai prelungitoare aprobate, care sunt adecvate pentru acest instrument, adică au semn de conformitate!
- Niciodată nu mutați aparatul trăgând de cablu și nu utilizați cablul pentru a transporta obiecte!!
- Nu striviți cablul și nu-l trageți peste muchii ascuțite. Nu-l amplasați deasupra unor plite incinse sau deasupra flăcărilor!
- Niciodată nu folosiți acest aparat în apropiere de baie, duș sau o piscină!
- **PRUDENȚĂ:** Pentru a reduce riscul de incendiu, păstrați textilele, draperiile sau alte materiale inflamabile la o distanță de minim 1 m de orificiul de evacuare a aerului.
- Nu utilizați acest dispozitiv în imediata apropiere a unei căzi, duș sau piscine.
- Nu utilizați acest aparat dacă a fost scăpat.
- Nu utilizați dacă există semne vizibile de deteriorare a dispozitivului.
- Utilizați acest aparat pe o suprafață orizontală și stabilă sau fixați-l pe perete, după caz.
- **PRUDENȚĂ:** Nu utilizați dispozitivul în încăperi mici în care sunt ocupate de persoane care nu pot părăsi singure camera, cu excepția cazului în care este asigurată o supraveghere constantă.

## AMBALAJ

- După despachetarea aparatului, verii cați integralitatea acestuia și existența unor eventuale deteriorări apărute la transport în cazul constatării unei deteriorări sau al unei livrări incomplete, contactați distribuitorul autorizat!
- Nu aruncați cutia originală! Aceasta poate fi utilizată la depozitare și mutare pentru evitarea deteriorărilor la transport!
- Evacuați materialul ambalajului la deșeurile într-un mod corespunzător! Nu lăsați pungile de plastic la îndemâna copiilor!

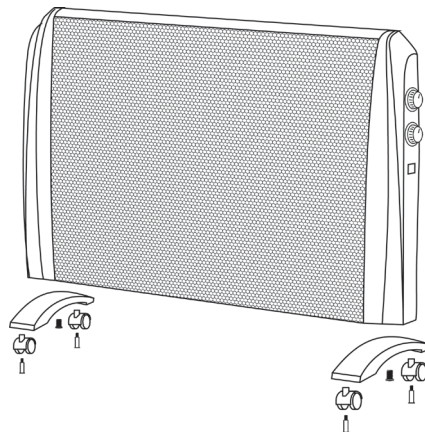
Vă mulțumim pentru alegerea convectorului CN 221 MC.

Acest produs oferă căldura confortabilă în timpul iernii în funcție de nevoile de încălzire în încăperea încălzită. Cu utilizare și îngrijire adecvată, așa cum este descris în aceste instrucțiuni, unitatea va va oferi mulți ani de funcționare utilă.

## INSTALAREA ȘI UTILIZAREA APARATULUI

Înainte de a porni convectorul Dvs.

Vă rugăm să verificați că ambele seturi de roți sunt fixate în mod corespunzător la fiecare picior de transport a dispozitivului cu șuruburi.



Așezați convectorul în poziția corectă de lucru înainte de a-l conecta la rețeaua de alimentare cu energie electrică

- Aparatul este echipat cu un comutator pentru selectarea puterii. „I” este pentru 1200W, „II” este pentru 2000W. Puterea generală maximă, când sunt pornite ambele puteri este 2000W
- Aparatul este echipat cu un termoregulator sensibil la temperatura ambiantă. Puteți roti butonul termoregulatorului până la temperatura ambiantă dorită (încăperea, care este încălzită trebuie să fie în concordanță cu puterea aparatului, dacă nu ajungeți la temperatura dorită este necesară utilizarea unui aparat de încălzire suplimentar), în încăperea. Puteți roti termostatul în sensul acelor de ceasornic la valoarea maximă, odată ce se ajunge la temperatura camerei dorită de Dvs., trebuie să rotiți termostatul încet în direcția acelor de ceasornic până când auziți un „click”. După aceasta unitatea va menține temperatura aerului din camera de la nivelul setat prin pornire și oprire automată
- Aparatul are funcția incorporată anti-îngheț (anti-frost). Când decideți să utilizați aparatul într-o încăperea în care este necesară să mențineți o temperatură minimă (sere, subsoluri, mansarde), aparatul trebuie să fie pornit la nivelul dorit de încălzire ( nivelul I sau nivelul II sau ambele), termostatul este rotit învers acelor de ceasornic până la poziția dorită. În această poziție aparatul asigură menținerea temperaturii mediului ambiant,

în intervalul  $5 \pm 2^\circ\text{C}$  - adică acesta periodic se va porni și opri, menținând nivelul specificat fix de confort termic în cameră

- Pozițiile posibile sunt prezentate orientativ.

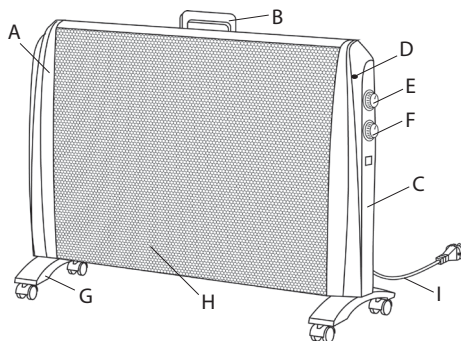
**Notă:** Dispozitivul arată temperatura în jurul locației senzorial și nu este un mijloc de măsurare exactă a temperaturii ambiante.

### MUTAREA APARATULUI:

Dacă este necesar să mutați aparatul, opriți-l de la comutator, scoateți ștecherul și cu ambele mâini mutați aparatul la noua locație. Aceasta se face, când aparatul s-a răcit Mutarea aparatului fierbinte poate duce la consecințe nedorite pentru consumator, cum ar fi incinerarea sau pătrunderea de materiale inflamabile pe convectorul timpul de relocare.

### DESCRIEREA APARATULUI

- Partea din stângă a convectorului
- Mâner
- Partea din dreaptă a convectorului
- Lampa de semnalizare
- Cheie de setare a puterii de încălzire
- Termoregulator
- Baza aparatului
- Grilă de protecție
- Cablu de alimentare



### COMUTATOR INCORPORAT DE RĂSTURNARE (CĂDERE)

Convectorul are un comutator integrat în caz de răsturnare. În caz în care acesta se răstoarnă, alimentarea cu energie se va întrerupe. Lăsați-l ceva timp să se răcească și apoi îndreptați-l din nou. Acesta va reveni la funcționarea normală.

### OPRIRE AUTOMATĂ DE SIGURANȚĂ

Convectorul are și un dispozitiv incorporat (termostat resetabil), care pornește și oprește automat în caz de supraîncălzire și va reporni când temperatura din unitatea

va scade.



### Important!

Este posibil la prima pornirea aparatului să simțiți un miros specific. Aceasta este normal pentru perioada inițială de funcționare. Asigurați-vă că convectorului este plasat într-o încăpere bine ventilată și lăsați-l să funcționeze până ce mirosul dispare.

Puteți auzi și un zgomot specific, în timp ce convectorul se încălzește. Acest lucru este normal și convectoroare funcționează normal. Îndată ce convectorul se încălzește zgomotul dispare.

### CURĂȚARE

- În primul rând opriți aparatul de la comutator și deconectați cablul de alimentare de la priză. Înainte de a curăța convectorul, lăsați-l să se răcească, după ce l-ați deconectat de priză.
- Curățați carcasa cu o cârpă umedă, praful acumulat cu aspirator sau o perie.
- Nu scufundați niciodată aparatul în apă - există pericol pentru viața din șoc electric!!
- Nu folosiți agenți de curățare inflamabili, ca de exemplu benzină sau alcool, pentru curățarea aparatului

### DEPOZITARE

- Înainte de a curăța convectorul, lăsați-l să se răcească, după ce l-ați deconectat de priză.
- Folosiți ambalajul original de depozitare a convectorului, dacă acesta nu va fi utilizat o perioadă lungă de timp Produsul este protejat de praf și murdărie când este depozitat în ambalajul original.
- Nu depozitați aparatul cald în ambalajul său!
- Produsul trebuie să fie depozitate în locuri uscate și protejate de lumina directă a soarelui.
- Se interzice în mod expres depozitarea aparatului în zone umede sau ude.

### ECHIPAMENTE ÎN SET:

Convector	1 buc
Picioare	2 bucăți
Instrucțiuni	1 buc
Carte de garanție	1 buc

### PARAMETRII TEHNICI A APARATULUI:

Model	Putere declarată	Tensiune de alimentare declarată	Frecvență declarată
CN 221 MC	2000W	220-240V~	50Hz



### Indicații pentru protecția mediului înconjurător

Aparatele electrice uzate sunt materiale valoroase, motiv pentru care locul lor nu este la gunoierul menajer! Din această cauză, vă rugăm să ne sprijiniți și să participați la protejarea resurselor naturale și a mediului înconjurător, prin predarea acestui aparat la centrele de preluare a acestora.

**TABELUL 2 CERINȚE PRIVIND INFORMAȚIILE REFERITOARE LA APARATELE ELECTRICE PENTRU ÎNCĂLZIRE LOCALĂ**
**Identificatorul de model(e):** CN 221 MC/HP1001-20

Parametru	Simbol	Valoare 1.	Unitate	Parametru	Unitate
Puterea termică				Modul de acumulare a căldurii, numai în cazul aparatelor electrice pentru încălzire locală cu acumulator de căldură (alegeți o variantă)	
Puterea termică nominală	$P_{nom}$	2.0	kW	control manual al sarcinii termice, cu termostat integrat	[nu]
Puterea termică minimă (cu titlu indicativ)	$P_{min}$	1.260	kW	control manual al sarcinii termice, ca răspuns la temperatura camerei și/sau exterioară	[nu]
Puterea termică maximă continuă	$P_{max,C}$	2.050	kW	control electronic al sarcinii termice, ca răspuns la temperatura camerei și/sau exterioară	[nu]
Consumul auxiliar de energie electrică				putere termică comandată de ventilator	[nu]
La putere termică nominală	$e_{lmax}$	N/A	kW	<b>Tip de putere termică/controlul temperaturii camerei (selecți o variantă)</b>	-
La putere termică minimă	$e_{lmin}$	N/A	kW	cu o singură treaptă de putere termică și fără controlul temperaturii camerei	[nu]
În modul standby	$e_{lSB}$	N/A	kW	două sau mai multe trepte de putere manuale, fără controlul temperaturii camerei	[nu]
				cu controlul temperaturii camerei prin intermediul unui termostat mecanic	[da]
				cu control electronic al temperaturii camerei	[nu]
				cu control electronic al temperaturii camerei și cu temporizator cu programare zilnică	[nu]
				cu control electronic al temperaturii camerei și cu temporizator cu programare săptămânală	[nu]
				<b>Alte opțiuni de control (se pot selecta mai multe variante)</b>	
				controlul temperaturii camerei, cu detectarea prezenței	[nu]
				controlul temperaturii camerei, cu detectarea unei ferestre deschise	[nu]
				cu opțiune de control la distanță	[nu]
				cu demaraj adaptabil	[nu]
				cu limitarea timpului de funcționare	[nu]
				cu senzor cu bulb negru	[nu]

TESY Ltd - Head office  
 1166 Sofia, Sofia Park,  
 Building 16V, Office 2.1. 2nd Floor  
 PHONE: +359 2 902 6666,  
 FAX: +359 2 902 6660,  
**office@tesy.com**



## OPREZ:

- Pročitajte ove upute prije korištenja ovog uređaja i držati ove upute za buduću uporabu. Pri promjenivlasnika, upute moraju se prenositi zajedno s aparatom.

- **OPREZ:** Djeca koja su manja od tri godine, moraju se držati na udaljenosti, osim ako nisu pod stalnim nadzorom.

Djeca u dobi od tri godine do osam godina mogu koristiti samo dugme uklj. / Isklj jedinice, pod uvjetom da je uređaj instaliran i spreman za normalan rad i ona su bila pod praćenjem i su upućena na njegovu uporabu na siguran način i razumiju da to može biti opasno. Djeca u dobi od tri godine do 8 godina ne bi trebala uključivati uređaj u utičnicu, da ga postavljaju da ga očiste ili da izvode korisničko održavanje.

Ovaj uređaj se može koristiti od strane djece u dobi nad osam godina i od strane osoba sa smanjenim fizičkim, osjetilnim ili mentalnim sposobnostima, ili sa nedostatkom iskustva i znanja, osim ako su one pod nadzorom ili upućene u sigurno korištenje aparata i razumiju opasnosti. Djeca ne bi trebala se igrati s aparatom. Čišćenje i korisničko održavanje ne treba biti učinjeno od strane djece bez nadzora.

- Ovaj uređaj nije namijenjen za korištenje od strane osoba (uključujući djecu) sa smanjenim fizičkim, osjetilnim ili mentalnim sposobnostima ili nedostatkom iskustva i znanja, osim ako nisu pod nadzorom ili su dobili upute o korištenju uređaja od strane osobe odgovorne za njihovu sigurnost.

Djecu treba nadzirati kako bi se osiguralo da se ne igraju s uređajem.

- **OPREZ:** Neki dijelovi ovog uređaja mogu postati vrlo vrući i uzrokovati opekline. Tamo gdje su prisutna djeca i ranjivi ljudi se treba posvetiti posebna pozornost.



- **UPOZORENJE:** Kako biste izbjegli pregrijavanje, ne prekrivajte uređaj!
- Uređaj ne bi trebao biti postavljen neposredno ispod kutije utikača!
- Ako je opskrbeni kabel oštećen, proizvođač, njegov servis ili slično kvalificirane osobe moraju ga zamijeniti kako bi se izbjegla opasnost.
- Prije uključivanja uređaja – provjerite da li napon struje na tipskoj pločici odgovara naponu, koji se koristi u Vašem domu.
- Ovaj uređaj mora biti korišten samo na svrhu za koju je namijenjen, odnosno za zagrijavanje

domaćih prostora. Uređaj nije namijenjen za trgovačke svrhe. Svako drugo korištenje može se smatrati nepravilnim i stoga opasnim. Proizvođač ne može biti odgovoran za štete nastale nepravilnim i nerazumnim upotrebama. Nepodržavanje sigurnosne informacije će izgubiti jamstvo aparata!

- Ne izlazite iz kuće dok je uređaj uključen: provjerite da li je dvostruki prekidač u položaju OFF (0) (isključen). Uvijek uklanjajte utikač aparata iz utičnice.
- Držite zapaljive predmete kao što su namještaj, jastuci, posteljina, papir, odjeća, zavjese, itd. na udaljenosti od najmanje 100 cm od konvektora.
- Ne koristite uređaj u područjima gdje se koriste ili drže zapaljivi materijali. Ne koristite uređaj u područjima sa zapaljivom atmosferom (npr. u blizini zapaljivih plinova ili aerosola) – postoji velika opasnost od eksplozije i požara!
- Nemojte umetati ili dopustiti strani predmeti da popadaju u ventilacijske otvore (dolazni ili odlazni), jer će to uzrokovati strujni udar, požar ili oštećenja u konvektoru.
- Uređaj nije prikladan za gajenje životinja, a isti je namijenjen samo za kućnu uporabu!
- Držite ulaz i izlaz zračnog protoka da su slobodni predmeta: najmanje na udaljenosti od 1 m ispred i 1 m iza konvektora.
- Najčešći uzrok pregrijavanja je akumulacija vlakna i prašine u uređaju. Redovno usisavajte ventilacijske otvori, kao što je prethodno potrebno isključili aparat.
- Nikad ne dirajte uređaj mokrim ili vlažnim rukama – postoji opasnost po život!
- Utičnica mora biti dostupna u bilo kojem trenutku, da bi moglo da se utikač oslobodi što je prije moguće! Nikad ne povlačite kabel za napajanje ili sam aparat kad želite da isključite uređaj iz napajanja.
- Obratite pažnju! Izlazni zrak se zagrijava za vrijeme rada (do više od 100°C).
- Nemojte pokrivati uređaj. Ako je pokriven postoji opasnost od pregrijavanja i požara.
- Ako uređaj nije u redu ili neispravan, zaustaviti ga i nemojte ga popraviti. O svim popravcima se konzultirajte svom servisnom centru za poslije-prodajnu uslugu. Samo tamo će zamijeniti oštećeni dio s originalnim rezervnim. Nepoštivanje ovog uvjeta bi ugrozilo sigurnost aparata.
- Ako odlučite prestati koristiti uređaj ovog tipa, preporuča se da ga uradite neupotrebljivim, izrezavši kabel nakon isključivanja iz mreže. Također se preporučuje sve opasnosti povezane s aparatom da budu zaštićene, posebno za djecu koja bi mogla koristiti amortizirani aparat (uređaj) za igru.

- Nikada ne ostavljajte aparat uključen nepotrebno. Isključite ga iz utičnice kada nećete ga koristiti dulje vrijeme.
- **Oprez:** Ne koristite ovaj uređaj s programerom, timerom ili drugim uređajima koji ga automatski uključuju, jer ako je aparat prekriveni ili pogrešno postavljen postoji opasnost od požara.
- Priključite kabel za napajanje tako da ne ometa kretanje ljudi, i da ne bude nastupljaan! Koristite samo odobrene produžne kabele koji su prikladni za uređaj, t.e. da imaju oznaku sukladnosti!
- Nikad ne pomičite uređaj povlačenjem kabela i ne koristite kabel za nošenje predmeta!
- Nemojte savijati kabel i nemojte ga povucite preko oštrih rubova i nemojte ga staviti na vruće ploče ili na otvoreni plamen!
- Nikad nemojte koristiti ovaj uređaj u blizini kupatila, tuševa ili bazena!
- **OPREZ:** Kako biste smanjili rizik od požara, držite tekstil, zavjese ili druge zapaljive materijale na udaljenosti od najmanje 1 m od izlaza zraka.
- Nemojte koristiti ovaj uređaj u neposrednoj blizini kade, tuša ili bazena.
- Nemojte koristiti ovaj uređaj ako je pao.
- Ne koristiti ako postoje vidljivi znakovi oštećenja na uređaju.
- Koristiti ovaj uređaj na vodoravnoj i stabilnoj površini ili ga pričvrstite na zid, prema potrebi.
- **OPREZ:** Ne koristite uređaj u malim prostorijama u kojima borave osobe koje ne mogu same napustiti prostoriju, osim ako je osiguran stalni nadzor.

## PAKOVANJE

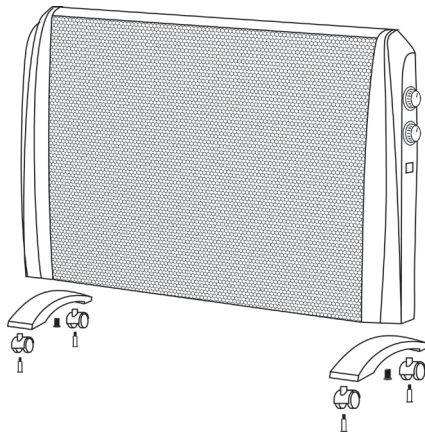
- Nakon raspakiranja uređaja, provjerite je li tokom prijevoza nije umanjen ili potpuno opremljeni! U slučaju da se utvrdi oštećene ili nepotpuna isporuka, obratite se ovlaštenom prodavaču!
- Nemojte odbaciti originalnu kutiju! Ona bi moglo se koristiti za skladištenje i transport kako bi se izbjeglo oštećenje od prijevoza!
- Odbacivanje materijala za pakiranje mora biti na odgovarajući način! Djeca bi trebala da su pod nadzorom da se ne igraju s plastičnim vrećicama!

Zahvaljujemo da ste odabirali konvektor CN 221 MC. Ovo je uređaj koji nudi grijanje u zimi koliko je potrebno kako bi se postigla udobna toplina u zagrijanoj prostoriji. Uz pravilnu uporabu i njegu kao što je opisano u ovim uputama, uređaj će Vam pružiti mnogo godina korisnog rada.

## INSTALACIJA I KORIŠTENJE UREĐAJA

Prije nego što uključite Vaši panelni konvektor

Molimo provjerite da li su oba seta kotača pravilno pričvršćena na svakom nosaču uređaja s odgovarajućim vijcima.



Postavite aparat u pravilnom radnom položaju prije nego da ga uključite u električnu mrežu napajanja

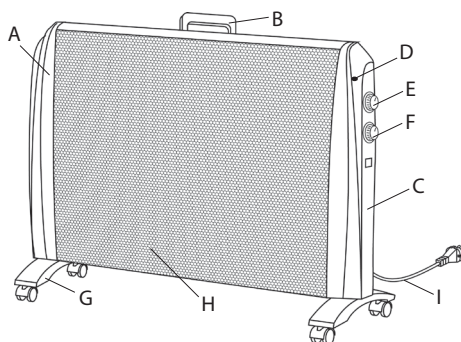
- Uređaj je opremljen prekidačem za odabir snage „I“ je za 1200W, „II“ je za 2000W. Ukupna maksimalna snaga kada su uključena oba stupnjeva je 2000W
  - Uređaj je opremljen sa termoregulatorom osjetljiv na sobnu temperaturu. Možete rotirati gumb termoregulatora (Thermostat knob) dok se ne dostigne željena sobna temperatura (soba za zagrijavanje moraj biti u skladu sa snagom uređaja, ako se ne uspijeva doći do željene temperature se zahtijeva korištenje dodatnog grijanog aparata) u sobi. Možete okrenuti termoregulator u smjeru kazaljke na satu na najveću vrijednost, kada se postigne željena od Vas sobna temperatura, termoregulator bi trebao se okretati polako u suprotnom smjeru kazaljke na satu dok čujete termoregulator da „klikne“. Zatim će jedinica održavati temperaturu zraka u prostoriji do postavljene razine uključivanjem i isključivanjem automatski.
  - Uređaj ima ugrađenu funkciju protiv smrzavanja (anti-frost). Kada se odlučite za korištenje uređaja u prostoriji u kojoj je potrebno održavanje minimalne temperature (staklenici, podrumi, tavani) uređaj se uključuje na željenu razinu grijanja (I ili II stupanj ili oboje), termoregulator se okreće protivno na kazaljku na satu do dostizanja najmanjeg kruga indikacije. U tom položaju uređaj osigurava održavanje sobne temperature u rasponu od  $5 \pm 2^{\circ}\text{C}$ . - t.e. on će se povremeno uključiti i isključiti, održavajući određenu fiksnu razinu toplinske udobnosti u sobi.
  - Mogući stupnjevi su pokazali indikativno.
- ⚠ Napomena:** Uređaj prikazuje temperaturu oko mjesta na kojem se nalazi senzor i nije sredstvo za točno mjerenje temperature okoline.

## PREMJEŠTANJE UREĐAJA:

Ako je potrebno premještanje aparata, isključite iz utičnice i s obojnim rukama premjestite aparat na novu lokaciju, kao premještanje je potrebno izvršiti se kad je konvektor hladan. Premještanje vrućeg aparata može dovesti do neželjenih posljedica za potrošača, kao što su spaljivanje ili prodora zapaljivih materijala na konvektor za vrijeme njegovog premještanja.

## OPIS UREĐAJA

- A. Lijeva strana konvektora
- B. Drška
- C. Desna strana konvektora
- D. Signalna lampa
- E. Ključ za postavljanje stupnjeva zagrijavanja topline
- F. Termoregulator
- G. Osnova uređaja
- H. Zaštitna rešetka
- I. Kabel za napajanje



## UGRAĐEN PREKIDAČ ZA PREOKRETANJE (PADANJE)

Ovaj konvektor ima ugrađen prekidač za preokretanje, ako se isti preokrene, električno napajanje će biti prekinuto. Ostavite ga neko vrijeme da se ohladi, a zatim ga ponovno ispravite. On će se vratiti u normalan rad.

## AUTOMATSKO SIGURNOSNO ISKLJUČIVANJE

U konvektoru ima i ugrađeni uređaj (za ponovno pokretanje termoprekidač) koji se automatski aktivira i isključuje u slučaju pregrijavanja i da će se nastaviti kada temperatura jedinice postane hladna.



### Važno!

Moguće je tijekom prvog uključivanja uređaja da osjetite neki miris. To je normalno za početno razdoblje korištenja.

*Uvjerite se da je konvektor postavljen u dobro prozračenom prostoru i ostavite ga da radi dok miris nestane. Možete čuti i specifičnu buku nalik na pucanje dok se konvektor zagrijava i. To je normalno i konvektor radi u normalnom načinu rada. Odmah kad se konvektor zagrija buka nestaje.*

## ČIŠĆENJE

- Obavezno najprije isključite prekidač aparata i izvucite utikač iz utičnice. Prije početka čišćenja konvektora, ostavite ga da se ohladi isključivši ga iz kontakta
- Očistite korpus s vlažnom krpom, usisivačem ili četkom.
- Nemojte nikada uranjati aparat u vodu – postoji opasnost po život od strujnog udara!
- Nikada ne koristite benzin, razrjeđivač ili gruba abrazivna sredstva za čišćenje, jer će ona oštetiti površinu aparata

## SKLADIŠTENJE

- Prije pohrane konvektora, ostavite ga da se ohladi isključivši ga iz kontakta
- Koristite originalno pakovanje za pohranu konvektora ako se isti neće koristiti za neko vrijeme. Ovaj uređaj će biti zaštićen od prašine i prljavštine, dok je uvučen u svojoj originalnoj ambalaži.
- Nikada nemojte pohranjivati vrući aparat u njegovoj ambalaži!
- Ovaj uređaj treba biti pohranjen na suhom i zaštićenom od direktne sunčeve svjetlosti mjestu.
- Izričito se zabranjuje njegovo čuvanje u vlažnim ili mokrim područjima.

## OPREMA U JEDNOM PAKIRANJU:

Konvektor	1 komad
Noge	2 komada
Upute	1 komad
Jamstvena karta	1 komad

Model	Objavljena snaga	Objavljeni napon napajanja	Objavljena frekvencija
CN 221 MC	2000W	220-240V~	50Hz



## Smjernice za zaštitu okoliša

Stari električni uređaji sadrže vrijedne materijale i stoga ne bi trebalo ih odlagati zajedno s kućnim smećem! Molimo vas da surađujete sa svojim aktivnim doprinosom očuvanju resursa i okoliša i za prijenos uređaja organiziranim centrima za iskupovanje (ako ih ima).



**TABLICA 2. ZAHTJEVI ZA INFORMACIJE ZA ELEKTRIČNE GRIJALICE ZA LOKALNO GRIJANJE PROSTORA**

Identifikacijska(-e) oznaka(-e) modela: CN 221 MC/HP1001-20

Značajka	Simbol	Vrijednost 1.	Jedinica	Značajka	Jedinica
Toplinska snaga				Vrsta ulazne topline, samo za električne akumulacijske grijalice za lokalno grijanje prostora (odabrati jednu)	
"nazivna toplinska snaga"	$P_{nom}$	2.0	kW	"ručna regulacija napajanja toplinom, s ugrađenim termostatom"	[ne]
"minimalna toplinska snaga (referentna)"	$P_{min}$	1.260	kW	"ručna regulacija napajanja toplinom putem informacija o sobnoj i/ili vanjskoj temperaturi"	[ne]
"maksimalna kontinuirana toplinska snaga"	$P_{max,C}$	2.050	kW	"elektronička regulacija napajanja toplinom putem informacija o sobnoj i/ili vanjskoj temperaturi"	[ne]
"Potrošnja pomoćne električne energije"				predaja topline uz pomoć ventilatora	[ne]
"kod nazivne toplinske snage"	$e_{lmax}$	N/A	kW	<b>Vrsta izlazne topline/regulacija sobne temperature (odabrati jednu)</b>	-
"kod minimalne toplinske snage"	$e_{lmin}$	N/A	kW	"jednostupanjnska predaja topline i bez regulacije sobne temperature"	[ne]
u stanju pripravnosti	$e_{lSB}$	N/A	kW	"dva ili više ručna stupnja, bez regulacije sobne temperature"	[ne]
				"s regulacijom sobne temperature mehaničkim termostatom"	[da]
				s elektroničkom regulacijom sobne temperature	[ne]
				"elektronička regulacija sobne temperature i dnevni uklopni sat"	[ne]
				"elektronička regulacija sobne temperature i tjedni uklopni sat"	[ne]
				<b>Druge mogućnosti regulacije (moguć odabir više opcija)</b>	
				"regulacija sobne temperature s prepoznavanjem prisutnosti"	[ne]
				"regulacija sobne temperature s prepoznavanjem otvorenog prozora"	[ne]
				s mogućnošću regulacije na daljinu	[ne]
				s prilagodljivim pokretanjem regulacije	[ne]
				s ograničenjem vremena rada	[ne]
				s osjetnikom s crnom žaruljom	[ne]

TESY Ltd - Head office  
 1166 Sofia, Sofia Park,  
 Building 16V, Office 2.1. 2nd Floor  
 PHONE: +359 2 902 6666,  
 FAX: +359 2 902 6660,  
 office@tesy.com

**ΠΡΟΣΟΧΗ:**

- Διαβάστε αυτές τις οδηγίες πριν τη χρήση αυτού του προϊόντος και διατηρήστε τις για μελλοντική χρήση. Σε περίπτωση που η ηλεκτρική συσκευή αλλάξει ιδιοκτησία, οι οδηγίες χρήσης πρέπει να παραχωρηθούν στο νέο ιδιοκτήτη μαζί με τη συσκευή!

- **ΠΡΟΣΟΧΗ:** Πρέπει να κρατάτε μακριά παιδιά κάτω των 3 ετών, εκτός εάν τα επιτρέπει συνεχώς. Παιδιά ηλικίας από 3 έως 8 ετών μπορούν να χρησιμοποιούν το διακόπτη on/off της συσκευής, υπό την προϋπόθεση ότι η συσκευή έχει εγκατασταθεί και είναι έτοιμη για κανονική λειτουργία και τα παιδιά επιτηρούνται και γνωρίζουν τις οδηγίες ασφαλούς χρήσης, κατανοώντας ότι η αμέλεια αποτελεί κίνδυνο. Παιδιά ηλικίας από 3 έως 8 ετών δεν θα πρέπει να συνδέουν τη συσκευή στην πρίζα, να την ρυθμίζουν, να την καθαρίζουν ή να εκτελούν εργασίες συντήρησης.

Αυτή η συσκευή μπορεί να χρησιμοποιηθεί από παιδιά ηλικίας 8 ετών και πάνω και από άτομα με περιορισμένες σωματικές, αισθητήριες ή διανοητικές ικανότητες ή από άτομα χωρίς εμπειρία και γνώση, με την προϋπόθεση ότι τη χρησιμοποιούν υπό επιτήρηση ή ότι έχουν λάβει οδηγίες σχετικά με την ασφαλή χρήση της συσκευής και κατανοούν τους ενεχόμενους κινδύνους. Τα παιδιά δεν πρέπει να παίζουν με τη συσκευή. Τα παιδιά δεν πρέπει να καθαρίζουν και να συντηρούν τη συσκευή χωρίς επιτήρηση.

- Η συσκευή αυτή μπορεί να χρησιμοποιηθεί από άτομα (συμπεριλαμβανομένων παιδιών) με μειωμένες σωματικές, αισθητήριες ή διανοητικές ικανότητες ή έλλειψη εμπειρίας και γνώσης, εκτός και αν επιτηρούνται ή εκπαιδεύονται σχετικά με την ασφαλή χρήση της συσκευής από ένα άτομο υπεύθυνο για την ασφάλειά τους.

Τα παιδιά δεν πρέπει να παίζουν με τη συσκευή.

- **ΠΡΟΣΟΧΗ:** Ορισμένα μέρη του προϊόντος αυτού μπορούν να γίνουν επικίνδυνα ζεστά και να προκαλέσουν εγκαύματα. Σε χώρους όπου παρίστανται παιδιά και ευάλωτα άτομα, θα πρέπει να δοθεί ιδιαίτερη προσοχή.



- **ΠΡΟΕΙΔΟΠΟΙΗΣΗ:** Για να αποφευχθεί η υπερθέρμανση, μην καλύπτετε τη συσκευή!
- Η συσκευή δεν πρέπει να τοποθετείται ακριβώς κάτω από σταθερή πρίζα!
- Εάν το καλώδιο τροφοδοσίας έχει υποστεί ζημία, πρέπει να αντικατασταθεί από τον κατασκευαστή, τον

αντιπρόσωπο σέρβις του ή παρόμοια εξειδικευμένα άτομα για να αποφευχθεί ο κίνδυνος.

- Πριν ενεργοποιήσετε τη συσκευή - βεβαιωθείτε ότι η τάση του οικιακού σας δικτύου αντιστοιχεί σε εκείνη που αναγράφεται στην ταμπέλα της συσκευής.
- Η συσκευή αυτή προορίζεται αποκλειστικά και μόνο για τη χρήση για την οποία έχει σχεδιαστεί, δηλ. για οικιακή χρήση (θέρμανση χώρων διαβίωσης). Δεν προορίζεται για εμπορική χρήση. Οποιαδήποτε άλλη χρήση θα πρέπει να θεωρείται ακατάλληλη και συνεπώς επικίνδυνη. Ο κατασκευαστής δεν μπορεί να θεωρηθεί υπεύθυνος για τυχόν ζημιές που μπορεί να προκληθούν από ακατάλληλη, λανθασμένη και αλόγιστη χρήση. Εάν δεν τηρηθούν όλες οι οδηγίες για την ασφάλεια, θα ακυρωθεί η εγγύηση της συσκευής που παρέχεται!
- Μην φύγετε από το σπίτι, ενώ η συσκευή είναι αναμμένη: βεβαιωθείτε ότι ο διακόπτης ισχύος είναι στη θέση OFF(0) (εκτός λειτουργίας). Πάντα βγάξτε το φις από την πρίζα του ρεύματος.
- Κρατάτε τη συσκευή σε απόσταση τουλάχιστον 100 εκατοστών μακριά από εύφλεκτα υλικά συμπεριλαμβανομένων επίπλων, μαξιλαριών, κλινισκεπασμάτων, χαρτιού, ρούχων, κουρτινών κλπ.
- Να μην χρησιμοποιείτε τη συσκευή σε χώρους όπου χρησιμοποιούνται ή αποθηκεύονται εύφλεκτα υλικά. Να μην χρησιμοποιείται η συσκευή σε χώρους με εύφλεκτες ατμόσφαιρες (π.χ. κοντά σε εύφλεκτα αέρια και αερολύματα) - υπάρχει πολύ μεγάλος κίνδυνος έκρηξης και πυρκαγιάς!
- Μην παρεμβάλετε ξένα αντικείμενα μέσω ανοιγμάτων και οπών αερισμού (εισερχόμενα ή εξερχόμενα), επειδή αυτό μπορεί να προκαλέσει ηλεκτροπληξία, πυρκαγιά ή βλάβη στη συσκευή.
- Η συσκευή δεν είναι κατάλληλη για εκτροπή ζώνων και προορίζεται μόνο για οικιακή χρήση.
- Βεβαιωθείτε ότι η είσοδος και η έξοδος του αέρα δεν παρεμποδίζονται από αντικείμενα: κρατάτε τα αντικείμενα σε απόσταση τουλάχιστον 1 μέτρου μπροστά και 1 μέτρου πίσω από το convector.
- Η πιο συνηθισμένη αιτία υπερθέρμανσης είναι η σκόνη και το χνούδι που συσσωρεύονται μέσα στη συσκευή. Τακτικά σκουπίζετε τους αεραγωγούς με ηλεκτρική σκούπα, αφού πρώτα υποχρεωτικά αποσυνδέσετε τη συσκευή από το ηλεκτρικό δίκτυο.
- Ποτέ μην αγγίζετε τη συσκευή με γυρά και βρεγμένα χέρια - υπάρχει κίνδυνος για τη ζωή!
- Η πρίζα πρέπει να είναι ανά πάσα στιγμή προσβάσιμη για να μπορεί το βύσμα να τραβηχτεί κατά ανάγκη όσο δυνατόν γρηγορότερα! Ποτέ μην τραβήτε το καλώδιο τροφοδοσίας της συσκευής για να βγάλετε το φις από την πρίζα του ρεύματος.
- Προσοχή! Ο εξερχόμενος αέρας θερμαίνεται κατά τη διάρκεια της λειτουργίας (έως και πάνω από 100°C).
- Μην καλύπτετε τη συσκευή. Εάν είναι καλυμμένη, υπάρχει κίνδυνος υπερθέρμανσης.

- Εάν η συσκευή δεν λειτουργεί καλά, πρέπει να την αποσυνδέσετε και να μην την επισκευάσετε. Για οποιαδήποτε επισκευή, επικοινωνήστε το εξουσιοδοτημένο κέντρο σέρβις εξυπηρέτησης πελατών μετά την πώληση. Μόνο εκεί θα αντικατασταθεί το ελαττωματικό εξάρτημα με γνήσιο ανταλλακτικό. Εάν η προϋπόθεση αυτή δεν τηρείται, η ασφάλεια της συσκευής μπορεί να ελαττωθεί.
- Αν αποφασίσετε να σταματήσετε να χρησιμοποιείτε τη συσκευή αυτού του τύπου, συνιστάται να καταστεί άχρηστο καθώς κόψετε το καλώδιο, αφού το έχετε αποσυνδέσει από το δίκτυο. Συνιστάται ακόμα να προστατευθείτε από όλους τους κινδύνους που συνδέονται με τη συσκευή, ειδικά για χάριν των παιδιών που θα μπορούσαν να χρησιμοποιήσουν την παλιά συσκευή ως παιχνίδι.
- Ποτέ μην αφήνετε τη συσκευή άσκοπα αναμμένη. Να την αποσυνδέετε από την πρίζα όταν δεν θα τη χρησιμοποιείτε για μεγάλο χρονικό διάστημα.
- **Προσοχή!** Μην χρησιμοποιείτε τη συσκευή με έναν προγραμματιστή, χρονοδιακόπτη ή οποιαδήποτε άλλη συσκευή που την ανάβει αυτόματα, εφόσον υπάρχει κίνδυνος πυρκαγιάς εάν η συσκευή καλύπτεται ή είναι λανθασμένα τοποθετημένη.
- Τοποθετείτε το καλώδιο τροφοδοσίας έτσι ώστε να μην εμποδίζει το ελεύθερο πέρασμα των προσώπων και να μην πατιέται! Χρησιμοποιείτε μόνο εγκεκριμένα καλώδια τροφοδοσίας (πολύπριζο), κατάλληλα για την συσκευή, δηλ. που έχουν σήμα πιστότητας
- Ποτέ μην μετακινείτε τη συσκευή καθώς την τραβάτε από το καλώδιο και μην χρησιμοποιείτε το καλώδιο για να μεταφέρετε αντικείμενα!
- Μη λυγίζετε το καλώδιο ρεύματος και κρατάτε το μακριά από αιχμηρές άκρες. Μη τοποθετείτε τη συσκευή πάνω σε ζεστές επιφάνειες ή γυμνές φλόγες.
- Ποτέ μη χρησιμοποιείτε αυτή τη συσκευή σε άμεση γεινίαση με μπάνιο, ντους ή πισίνα!
- **ΠΡΟΣΟΧΗ:** Για να μειώσετε τον κίνδυνο πυρκαγιάς, κρατήστε υφάσματα, κουρτίνες ή άλλα εύφλεκτα υλικά σε ελάχιστη απόσταση 1 m από την έξοδο αέρα.
- Μη χρησιμοποιείτε αυτή τη συσκευή κοντά σε μπάνιο, ντους ή πισίνα.
- Μη χρησιμοποιείτε αυτή τη συσκευή εάν έχει πέσει.
- Μην το χρησιμοποιείτε εάν υπάρχουν ορατά σημάδια βλάβης στη συσκευή.
- Χρησιμοποιήστε αυτή τη συσκευή επί οριζόντιας και σταθερής επιφάνειας ή στερεώστε την στον τοίχο, ανάλογα με την περίπτωση.
- **ΠΡΟΣΟΧΗ:** Μη χρησιμοποιείτε τη συσκευή σε μικρούς χώρους όπου κατοικούν άνθρωποι που δεν μπορούν να φύγουν μόνοι τους από το δωμάτιο, εκτός εάν παρέχεται συνεχής παρακολούθηση.

## ΣΥΣΚΕΥΑΣΙΑ

- Μετά την αφαίρεση της συσκευασίας, βεβαιωθείτε ότι η συσκευή δεν έχει υποστεί βλάβη κατά τη

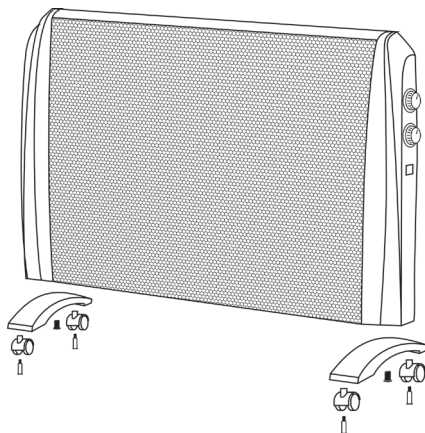
μεταφορά και εάν είναι πλήρως εξοπλισμένη. Σε περίπτωση ελλείψης παράδοσης ή ελαττώματος, επικοινωνήστε με τον εξουσιοδοτημένο πωλητή Σας!

- Μην πετάτε τη γνήσια αρχική συσκευασία! Αυτή θα μπορούσε να χρησιμοποιηθεί για την αποθήκευση και τη μεταφορά για την αποφυγή ζημιών κατά τη μεταφορά!
- Απορρίψτε το υλικό συσκευασίας του προϊόντος με οικολογικά υπεύθυνο τρόπο! Μην επιτρέπετε στα παιδιά να παίζουν με πλαστικές σακούλες!

Σας ευχαριστούμε που επιλέξατε το θερμοπομπό CN 221 MC. Αυτή η συσκευή παρέχει θέρμανση το χειμώνα ανάλογα με τις ανάγκες, για να επιτευχθεί μια άνετη θερμότητα στο θερμαινόμενο χώρο. Σε περίπτωση σωστής λειτουργίας και περιβαλφης, όπως περιγράφεται σ' αυτές τις οδηγίες, η συσκευή θα παρέχει μια χρήσιμη λειτουργία για πολλά χρόνια.

## ΕΓΚΑΤΑΣΤΑΣΗ ΚΑΙ ΧΡΗΣΙΜΟΠΟΙΗΣΗ ΤΗΣ ΣΥΣΚΕΥΗΣ

Πριν ενεργοποιήσετε το θερμαντικό πάνελ Convector σας: Παρακαλούμε βεβαιωθείτε ότι τα δύο σετ ροδάκια είναι σωστά στερεωμένα σε κάθε ποδαρικό στήριξης της συσκευής με τις βίδες.




Πριν συνδέσετε τον θερμοπομπό στο ηλεκτρικό δίκτυο τροφοδοσίας, τοποθετήστε το convector σε σωστή θέση λειτουργίας.

- Η συσκευή είναι εξοπλισμένη με διπλό διακόπτη για την επιλογή ισχύος. «I» για τη ρύθμιση ισχύος 1200W, «II» για τη ρύθμιση ισχύος 2000W. Η συνολική μέγιστη ισχύς όταν πατηθούν και οι δύο διακόπτες είναι 2000W.
- Η συσκευή είναι εξοπλισμένη με κουμπί θερμοστάτη, ο οποίος επηρεάζεται από την θερμοκρασία περιβάλλοντος. Μπορείτε να περιστρέψετε το κουμπί του θερμοστάτη για την επίτευξη της επιθυμητής θερμοκρασίας περιβάλλοντος (ο θερμαινόμενος χώρος πρέπει να συμμορφωθεί με την ισχύ της συσκευής) ` σε

περίπτωση που η επιθυμητή θερμοκρασία δεν μπορεί να επιτευχθεί, απαιτείται η χρήση πρόσθετου θερμαντικού σώματος) στο θερμαινόμενο χώρο. Μπορείτε να περιστρέψετε το θερμοστάτη δεξιόστροφα σε μέγιστη τιμή (HI) και μόλις φτάσει την επιθυμητή θερμοκρασία δωματίου, θα πρέπει να περιστρέψετε το θερμοστάτη αργά αριστερόστροφα, μέχρι να ακούσετε το θερμοστάτη να κάνει «κλικ». Στη συνέχεια η συσκευή θα διατηρήσει τη θερμοκρασία του αέρα στο δωμάτιο στο προκαθορισμένο επίπεδο μέσω αυτόματης ενεργοποίησης και απενεργοποίησης.

- Η συσκευή διαθέτει ενσωματωμένο αντιπαγετικό σύστημα ελέγχου Anti-Frost. Όταν αποφασίσετε να χρησιμοποιήσετε τη συσκευή σε ένα χώρο όπου είναι αναγκαίο να διατηρηθεί μια ελάχιστη θερμοκρασία (θερμοκήπια, υπόγεια, σοφίτες), περιστρέψτε το κουμπί της συσκευής στο επιθυμητό επίπεδο θέρμανσης (I ή II ρύθμιση ισχύος ή πατήστε και τα δύο κουμπιά), ο θερμοστάτης περιστρέφεται αριστερόστροφα μέχρι να φτάσει το πιο μικρό κύκλο κύκλου της ένδειξης. Στη θέση αυτή η συσκευή εξασφαλίζει τη διατήρηση της θερμοκρασίας του περιβάλλοντος στο εύρος μεταξύ  $5 \pm 2$  βαθμών Κελσίου - δηλ. η συσκευή θα ανάβει και θα σβήνει περιοδικά, διατηρώντας το συγκεκριμένο σταθερό επίπεδο θερμικής άνεσης στο χώρο.
- Οι πιθανές θέσεις λειτουργίας παρουσιάζονται ενδεικτικά.

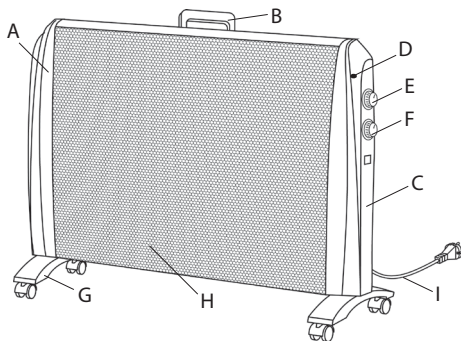
 **Σημείωση:** Η συσκευή εμφανίζει τη θερμοκρασία γύρω από τη θέση του αισθητήρα και δεν αποτελεί μέσο ακριβούς μέτρησης της θερμοκρασίας περιβάλλοντος.

### ΜΕΤΑΚΙΝΗΣΗ ΤΟΥ CONVECTOR:

Σε περίπτωση μεταφοράς του convector, σβήστε μέσω του διακόπτη, αποσυνδέστε το καλώδιο τροφοδοσίας από την πρίζα και πιάνοντας τη συσκευή με δύο χέρια μετακινήστε την στη νέα θέση. Η μετακίνηση του convector πρέπει να γίνει αφού πρώτα έχει ψυχθεί. Η μετακίνηση του convector με θερμή επιφάνεια μπορεί να οδηγήσει σε ανεπιθύμητες συνέπειες για τον χρήστη, όπως έγκαυμα ή εισχώρηση εύφλεκτων υλικών στο convector κατά τη διάρκεια της μεταφοράς του.

### ΠΕΡΙΓΡΑΦΗ ΤΗΣ ΣΥΣΚΕΥΗΣ

- Αριστερό πλαίσιο του θερμοπομπου
- Λαβή
- Δεξί πλαίσιο του θερμοπομπου
- Ενδεικτική λυχνία
- Διακόπτης ρύθμισης θερμότητας
- Θερμοστάτης
- Βάση της συσκευής
- Προστατευτική γρίλια
- Καλώδιο τροφοδοσίας



### ΕΝΣΩΜΑΤΩΜΕΝΗ ΑΣΦΑΛΕΙΑ ΚΛΕΙΣΙΜΑΤΟΣ ΣΕ ΠΕΡΙΠΤΩΣΗ ΑΝΑΤΡΟΠΗΣ ΤΗΣ ΣΥΣΚΕΥΗΣ

Ο θερμοπομπός διαθέτει αυτόματη ασφάλεια κλεισίματος σε περίπτωση που η συσκευή ανατραπεί, η παροχή ρεύματος θα διακοπεί. Αφήστε το convector λίγο χρόνο για να ψυχθεί και στη συνέχεια πρέπει να το επαναφέρετε σε κατακόρυφη θέση. Η κανονική λειτουργία του θα αποκατασταθεί

### ΑΥΤΟΜΑΤΗ ΔΙΑΚΟΠΗ ΛΕΙΤΟΥΡΓΙΑΣ

Ο θερμοπομπός διαθέτει ενσωματωμένο θερμικό σύστημα ασφαλείας (αυτορυθμιζόμενο θερμοστάτη) που σβήνει αυτόματα τη συσκευή σε περίπτωση τυχαίας υπερθέρμανσης. Η λειτουργία θα αποκατασταθεί αφού η συσκευή έχει κρυώσει.

### Σημαντικό!

Κατά την πρώτη χρήση, μπορεί να αισθανθείτε μια χαρακτηριστική οσμή. Το φαινόμενο αυτό είναι κανονικό όταν η συσκευή τίθεται για πρώτη φορά στη λειτουργία. Βεβαιωθείτε ότι ο θερμοπομπός τοποθετήθηκε σε καλά αεριζόμενο χώρο και αφήστε τον να λειτουργεί μέχρι η μυρωδιά να εξαφανιστεί. Είναι απόλυτα φυσιολογικό να ακούγονται «τριξίματα» ενώ το convector θερμαίνεται. Αυτό είναι φυσιολογικό και ο θερμοπομπός λειτουργεί κανονικά. Αυτός ο θόρυβος θα εξαφανιστεί μόλις ζεσταθεί ο θερμοπομπός.

### ΚΑΘΑΡΙΣΜΟΣ

- Υποχρεωτικά πρώτα απενεργοποιήστε τον θερμοπομπό από τον διακόπτη και βγάλτε το φις από την πρίζα στον τοίχο. Πριν αρχίσετε να καθαρίσετε τον θερμοπομπό, αφήστε τον να κρυώσει καθώς τον αποσυνδέσετε από την πρίζα.
- Καθαρίστε το θερμαντικό σώμα με μαλακό υγρό πανί, ηλεκτρική σκούπα ή βούρτσας.
- Ποτέ μην βυθίζετε τη συσκευή σε νερό – υπάρχει κίνδυνος για τη ζωή λόγω ηλεκτροπληξίας
- Ποτέ μη χρησιμοποιείτε βενζίνη, διαλυτικό ή άλλα σκληρά λειαντικά προϊόντα καθαρισμού, γιατί θα προκαλέσετε ζημιά στο περίβλημα της συσκευής.

## ΑΠΟΘΗΚΕΥΣΗ

- Πριν να αποθηκεύσετε τον θερμοπομπό, αφήστε τον να κρυώσει καθώς τον αποσυνδέσετε από την πρίζα.
- Χρησιμοποιήστε τη γνήσια συσκευασία για την αποθήκευση του θερμοπομπού, εάν ο ίδιος δεν θα χρησιμοποιείται για αρκετό χρονικό διάστημα. Το προϊόν προστατεύεται από την σκόνη και βρωμιά, καθώς φυλάσσεται στη γνήσια του συσκευασία.
- Αποθηκεύστε την συσκευή στη συσκευασία της μόνον αφού κρυώσει εντελώς!
- Το προϊόν πρέπει να φυλάσσεται σε ξηρή θέση, προστατευμένη από την άμεση ηλιακή ακτινοβολία.
- Απαγορεύεται ρητά την αποθήκευση του θερμοπομπού σε νοτισμένους ή υγρούς χώρους.

## ΚΑΤΑΛΟΓΟΣ ΣΥΣΚΕΥΑΣΙΑΣ:

Κύριο μέρος του θερμοπομπού	1 τεμάχιο
Πόδια στήριξης	2 τεμάχια
Εγχειρίδιο χρήσης	1 τεμάχιο
Κάρτα εγγύησης	1 τεμάχιο

## ΤΕΧΝΙΚΕΣ ΠΡΟΔΙΑΓΡΑΦΕΣ ΤΗΣ ΜΟΝΑΔΑΣ:

Μοντέλο	Ονομαστική Ισχύς	Ονομαστική Τάση	Ονομαστική συχνότητα
CN 221 MC	2000W	220-240V~	50Hz



### Περιβαλλοντικές απαιτήσεις

Οι παλιές συσκευές περιέχουν πολύτιμα υλικά και συνεπώς δεν πρέπει να απορρίπτονται μαζί με τα σκουπίδια των νοικοκυριών! Σας παρακαλούμε να συνεργαστείτε με την ενεργό Σ.α.σ συμβολή στην προστασία του Περιβάλλοντος και να παρέχετε τη συσκευή στους οργανωμένους σταθμούς παράδοσης (εάν υπάρχουν τέτοιοι).

**ΠΙΝΑΚΑΣ 2 ΑΠΑΙΤΗΣΕΙΣ ΠΛΗΡΟΦΟΡΗΣΗΣ ΓΙΑ ΗΛΕΚΤΡΙΚΟΥΣ ΤΟΠΙΚΟΥΣ ΘΕΡΜΑΝΤΗΡΕΣ ΧΩΡΟΥ**

Αναγνωριστικό(-ά) μοντέλου: CN 221 MC/HP1001-20

Χαρακτηριστικό	Σύμβολο	"Αριθμητική τιμή 1."	Μονάδα	Χαρακτηριστικό	Μονάδα
Θερμική ισχύς				Είδος θερμικής ισχύος μόνον στην περίπτωση των ηλεκτρικών τοπικών θερμοσυσσωρευτών (να επιλεγθεί μία δυνατότητα)	
"Ονομαστική θερμική ισχύς"	P <sub>nom</sub>	2.0	kW	χειροκίνητος ρυθμιστής θερμικού φορτίου με ενσωματωμένο θερμοστάτη	[όχι]
"Ελάχιστη θερμική ισχύς (ενδεικτική)"	P <sub>min</sub>	1.260	kW	"χειροκίνητος ρυθμιστής θερμικού φορτίου με ανάδραση θερμοκρασίας δωματίου και/ή θερμοκρασίας εξωτερικού χώρου"	[όχι]
"Μέγιστη συνεχής θερμική ισχύς"	P <sub>max,C</sub>	2.050	kW	ηλεκτρονικός ρυθμιστής θερμικού φορτίου με ανάδραση θερμοκρασίας δωματίου ή/και θερμοκρασίας εξωτερικού χώρου	[όχι]
"Βοηθητική κατανάλωση ηλεκτρικής ενέργειας"				παραγωγή θερμότητας υποβοηθούμενη από ανεμιστήρα	[όχι]
"στην ονομαστική θερμική ισχύ"	e <sub>lmax</sub>	N/A	kW	<b>Είδος θερμικής ισχύος/ρυθμιστή θερμοκρασίας δωματίου (να επιλεγθεί μια δυνατότητα)</b>	
"στην ελάχιστη θερμική ισχύ"	e <sub>lmin</sub>	N/A	kW	μονοβάθμια θερμική ισχύς και χωρίς ρυθμιστή θερμοκρασίας δωματίου	[όχι]
σε κατάσταση αναμονής	e <sub>l SB</sub>	N/A	kW	"δύο ή περισσότερες χειροκίνητες βαθμίδες χωρίς ρυθμιστή θερμοκρασίας δωματίου"	[όχι]
				"δύο ή περισσότερες χειροκίνητες βαθμίδες χωρίς ρυθμιστή θερμοκρασίας δωματίου"	[ναί]
				με ηλεκτρονικό ρυθμιστή θερμοκρασίας δωματίου	[όχι]
				"με ηλεκτρονικό ρυθμιστή θερμοκρασίας δωματίου και χρονοδιακόπτη ημέρας"	[όχι]
				"με ηλεκτρονικό ρυθμιστή θερμοκρασίας δωματίου και χρονοδιακόπτη εβδομάδας"	[όχι]
				<b>Άλλες δυνατότητες ρύθμισης (επιτρέπονται πολλές επιλογές)</b>	
				ρυθμιστής θερμοκρασίας δωματίου με ανιχνευτή παρουσίας	[όχι]
				"ρυθμιστής θερμοκρασίας δωματίου με ανιχνευτή ανοιχτού παραθύρου"	[όχι]
				με δυνατότητα ρύθμισης εξ αποστάσεως	[όχι]
				με ρυθμιστή προσαρμοζόμενης εκκίνησης	[όχι]
				με περιορισμό διάρκειας λειτουργίας	[όχι]
				με αισθητήρα θερμομέτρου μελανής σφαίρας	[όχι]

TESY Ltd - Head office

1166 Sofia, Sofia Park,

Building 16V, Office 2.1. 2nd Floor

PHONE: +359 2 902 6666,

FAX: +359 2 902 6660,

office@tesy.com

## PRECAUCIONES IMPORTANTES E INSTRUCCIONES DE SEGURIDAD:



### ATENCIÓN:

- Antes del uso inicial de este aparato, lea atentamente estas instrucciones y guárdelas para consultas futuras. En caso de entregar este aparato a un nuevo usuario, entregue también estas instrucciones.

- **ATENCIÓN:** Niños de menos de 3 años de edad no deben estar cerca del aparato sin supervisión permanente.

Niños de entre 3 y 8 años de edad pueden utilizar solamente el interruptor de encendido/apagado, a condición que el aparato esté instalado correctamente y esté listo para un funcionamiento normal, si tengan instrucciones para un uso seguro del aparato y entendiendo el riesgo.

Niños de entre 3 y 8 años de edad no deben conectar el aparato a la red eléctrica, no deben ajustarlo, limpiarlo o ejercer un mantenimiento.

Niños mayores de 8 años y personas con minusvalías físicas o mentales, tal como personas sin conocimientos y experiencia necesarios no deben usar el aparato sin supervisión o sin instrucciones de un uso seguro del aparato y si no entiendan el riesgo. Los niños no deben jugar con el aparato. Los niños no deben limpiar el aparato sin supervisión.

- El aparato no debe ser usado por personas (incluidos los niños) con capacidades físicas, sensoriales o mentales disminuidas, o con falta de experiencia y conocimiento, a menos que sean supervisados o instruidos acerca del uso del aparato por una persona responsable de su seguridad.

Asegúrese de que los niños no jueguen con el aparato.

- **ATENCIÓN:** Cuando el convector está encendido, las superficies externas están calientes y podrían causar quemaduras. Donde están niños o personas con discapacidad, ponga atención especial.



- **ADVERTENCIA:** ¡Para evitar recalentamiento no cubra el aparato!
- ¡No ponga el aparato inmediatamente debajo de un enchufe!
- Si el cable de alimentación está dañado, debe ser reemplazado por el fabricante, su agente de servicio o personas calificadas de manera similar para evitar un peligro.
- Antes de conectar el aparato a la red eléctrica debe asegurarse de que el voltaje del suministro corresponde al indicado en la placa de

características.

- No use el aparato para otro propósito que el previsto. Este aparato está previsto solamente para calentar viviendas. No está previsto para uso industrial o comercial. Cada uso diferente se considera como inadecuado y por lo tanto peligroso. El fabricante declina cualquier responsabilidad por los daños derivados de un uso incorrecto e imprudente del aparato. ¡La garantía no tendrá validez en caso de incumplimiento de estas instrucciones de seguridad!
- No salga de la vivienda mientras el aparato está encendido: verifique que lo ha apagado antes de salir. Siempre desenchufe el aparato de la red eléctrica cuando no vaya a usarlo.
- Guarde el aparato a una distancia de 100 cm. como mínimo de objetos inflamables como muebles, almohadas, sábanas, papel, ropa, cortinas, etc.
- No use el aparato en zonas donde se usan o guardan sustancias inflamables. No lo use en zonas donde hay gases inflamables o aerosoles. ¡Existe un riesgo muy grande de explosión o incendio!
- Evite la entrada de cuerpos extraños en las aberturas de ventilación, ya que esto puede causar una descarga eléctrica, incendio o daños al producto.
- ¡El aparato no es apropiado para criar animales y está previsto solamente para uso doméstico!
- No ponga objetos ningunos en la entrada y la salida de la corriente del aire a una distancia de 1 m en frente de y detrás del aparato como mínimo.
- La razón más común de recalentamiento es la acumulación de polvo en el aparato. Limpia las rejillas del aparato con una aspiradora regularmente después de que haya lo desenchufado de la red eléctrica.
- ¡Nunca toque el aparato con manos mojadas u húmedas – existe riesgo para la vida!
- ¡El enchufe debe ser siempre alcanzable para que se pueda desenchufar el aparato si se necesita lo más rápido posible! No estire el cable de alimentación o el aparato cuando lo desenchufa.
- **¡ATENCIÓN!** El aire que sale mientras el aparato funciona es caliente (puede llegar a mas que 100°C).
- Para evitar recalentamiento no cubra el aparato.
- En caso de mal funcionamiento de este aparato, desconéctelo y no intente repararlo. Para cada tipo de reparación póngase en contacto con el servicio técnico oficial más cercano, donde sustituirán la pieza defectuosa con una original. El incumplimiento de estas instrucciones podría comprometer la seguridad del aparato.
- En caso de que no desee usar más un aparato de este tipo, le recomendamos que lo desconecte de la red eléctrica y corte el cable de alimentación para hacer el aparato inútil. Tome medidas para preservar de daños a los niños que podrían utilizar el aparato

amortizado para juegos.

- No deje el aparato encendido cuando no lo necesita. Siempre desenchufe el aparato de la red eléctrica cuando no vaya a usarlo.
- **¡ATENCIÓN!** No use el aparato con un programador, contador u otro aparato para encenderlo automáticamente porque esto puede causar incendio si el aparato está cubierto o incorrectamente puesto.
- ¡Coloque el cable de alimentación de manera que no obstaculice el movimiento de personas en la habitación y que ellos no pisen sobre él! ¡Utilice solamente prolongadores autorizados, es decir que tienen un símbolo de homologación!
- ¡Para desplazar el aparato nunca lo haga estirando del cable de alimentación y no utilice el cable para transportar objetos!
- ¡No doble el cable de alimentación, ni lo introduzca en aberturas con bordes cortantes! ¡No deje el cable de alimentación en contacto con superficies calientes o con un fuego!
- ¡No use el aparato en la cercanía inmediata de baños, cabinas de ducha o piscinas!
- **ATENCIÓN:** Para reducir el riesgo de incendio, mantenga textiles, cortinas u otro material inflamable a una distancia mínima de 1 m de la salida de aire.
- No utilice este dispositivo en la proximidad inmediata de un baño, una ducha o una piscina;
- No utilice este dispositivo si se ha caído;
- No utilice si hay signos visibles de daño en el dispositivo;
- Utilice este dispositivo sobre una superficie horizontal y estable o fíjelo a la pared, según corresponda.
- **ATENCIÓN:** No utilice el dispositivo en habitaciones pequeñas cuando las mismas están ocupadas por personas que no puedan salir solas de la habitación, a menos que se proporcione una supervisión constante.

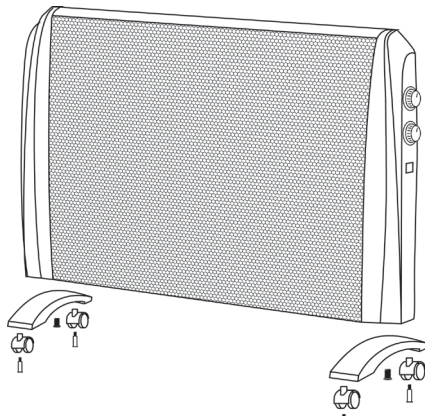
## EMBALAJE

- ¡Después de desembalar el aparato, verifique si todas las partes están dentro y si éste había sufrido algún daño! ¡Si verifique algún daño o falta de partes, contacte el vendedor!
- ¡No tire la caja original para el caso de que desee guardar o mover el aparato posteriormente sin riesgo de dañarlo!
- ¡Tire los materiales de embalaje en los sitios indicados! ¡Mantenga las bolsas de polietileno fuera del alcance de niños!

Le agradecemos por elegir calentador de convección CN 221 MC. Es un aparato de calefacción durante el invierno según las necesidades de alcanzar una temperatura agradable en la habitación. Si lo usa y mantiene de una manera correcta según las instrucciones, su aparato funcionará muchos años.

## INSTALACIÓN Y USO DEL DISPOSITIVO


Antes de encender su convector panel Por favor, compruebe si los dos conjuntos de ruedas están correctamente fijados a cada soporte del dispositivo con los tornillos adecuados.



Coloque el convector en posición de trabajo correcta antes de conectarlo a la red eléctrica

- El dispositivo está equipado con un interruptor de selección de potencia. „I“ es para 1200W, „II“ es para 2000W. La potencia máxima total cuando los dos niveles de potencia están encendidos es 2000W.
- El dispositivo está equipado con un termostato, sensible a la temperatura ambiente. Puede girar el mando del termostato (Thermostat knob) hasta que se alcance la temperatura ambiente deseada (la habitación calentada debe ser coherente con la potencia del dispositivo, si no se puede alcanzar la temperatura deseada será necesario utilizar un calentador adicional). Puede girar el termostato en sentido horario en el valor máximo. Una vez que alcance la temperatura ambiente deseada, gire el termostato lentamente en sentido antihorario, hasta que escuche que el termostato hace un „clic“. Después, el dispositivo va a mantener la temperatura ambiente en el nivel establecido, a través de un encendido y apagado de forma automática.
- El dispositivo tiene integrada una función antihielo (anti-frost). Cuando decide utilizar el dispositivo en una habitación donde hay que mantener una temperatura mínima (jardines de invierno, sótanos, áticos) el dispositivo se enciende en el nivel de calefacción deseado (nivel I o nivel II, o ambos), el termostato se gira en sentido antihorario hasta que se alcance el círculo más pequeño de la indicación. En esta posición el dispositivo garantiza el mantenimiento de la temperatura ambiente de  $5 \pm 2^{\circ}\text{C}$  - es decir, se va a encender y apagar periódicamente, manteniendo el nivel establecido de confort térmico en la habitación.
- Los niveles posibles son mostrados indicativamente.



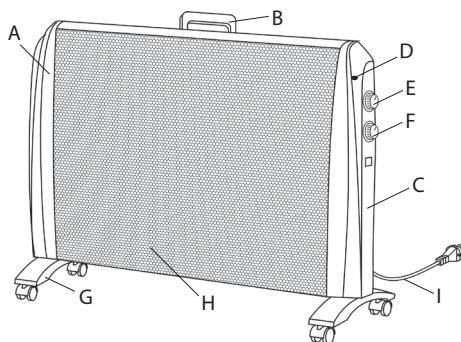
 **Nota:** El dispositivo muestra la temperatura alrededor de la ubicación del sensor y no es un medio para medir con precisión la temperatura ambiente.

### MOVER EL DISPOSITIVO:

Si es necesario mover el dispositivo, apáguelo por el interruptor, desenchufelo y con las dos manos mueva el dispositivo a la ubicación nueva. Al mover el convector, él debe estar frío. Al mover el dispositivo caliente puede llevar a consecuencias indeseables para el consumidor, tales como la quema o la caída de materiales inflamables sobre el convector durante su translocación.

### DESCRIPCIÓN DEL DISPOSITIVO

- A. Lado izquierdo del convector
- B. Manija
- C. Lado derecho del convector
- D. Luz de señal
- E. Interruptor para establecer los niveles de calefacción
- F. Termorregulador
- G. Base del dispositivo
- H. Rejilla de protección
- I. Cable de alimentación



### INTERRUPTOR INTEGRADO EN CASO DE VOLCAMIENTO (CAÍDA)

El calentador tiene un interruptor integrado contra volcamiento. Si éste sufre un caso de volcamiento, se ejercerá una interrupción del suministro de la tensión. Deje que el aparato se enfríe por un tiempo y después póngalo en su posición habitual. El aparato continuará a funcionar normalmente.

### INTERRUPCIÓN AUTOMÁTICA DE SEGURIDAD

El calentador tiene un termointerruptor integrado que se enciende y apaga el aparato automáticamente en

caso de recalentamiento y después enciende el aparato de nuevo cuando éste se haya enfriado.



### ¡Atención!

La primera vez que enchufa el aparato es posible que éste emita algún olor. Es una cosa normal para el periodo inicial de su uso. Verifique que el calentador está puesto en una habitación bien ventilada y déjelo funcionar hasta que el olor desaparezca. También es posible oír un ruido específico parecido a un chasquido mientras el calentador se está calentando. Es una cosa normal y el calentador funciona normalmente. Cuando el aparato se haya calentado, el ruido desaparecerá.

### LIMPIEZA

- Apague el calentador, desenchufe el aparato de la red eléctrica cuando lo va a limpiar.
- Limpie el cuerpo del aparato con un paño ligeramente húmedo, una aspiradora u un cepillo.
- ¡Para evitar el riesgo de una descarga eléctrica, no sumerja el calentador en agua!
- Nunca use bencina, disolvente o productos abrasivos para limpiar el aparato.

### CÓMO GUARDAR EL APARATO

- Desenchufe el calentador cuando no vaya a usarlo.
- Use la caja original para guardar el calentador cuando no vaya a usarlo. Así lo protegerá de polvo y suciedad sobrante.
- ¡No ponga el aparato en su caja cuando está caliente!
- Guarde el aparato en un espacio seco sin acceso directo de la luz solar.
- Está prohibido guardar el aparato en espacios húmedos.

### CONTENIDOS DE LA CAJA:

Calentador de convección	1
Pies	2 (izquierdo y derecho)
Instrucciones	1
Carta de garantía	1

### CARACTERÍSTICAS TÉCNICAS DEL APARATO:

Modelo	Potencia Nominal	Tensión Nominal	Frecuencia Nominal
CN 221 MC	2000W	220-240V~	50Hz



### Indicaciones para protección medioambiental

¡Los electrodomésticos viejos contienen materiales valiosos y no se deben tirar con la basura habitual del hogar! Le pedimos que proteja los recursos y el medio ambiente y lleve su electrodoméstico viejo a los centros de reciclaje (si existen).

## CUADRO 2 REQUISITOS DE INFORMACIÓN QUE DEBEN CUMPLIR LOS APARATOS DE CALEFACCIÓN LOCAL ELÉCTRICOS

Identificador(es) del modelo: CN 221 MC/HP1001-20

Partida	Símbolo	Valor1.	Unidad	Partida	Unidad
Potencia calorífica				Tipo de aportación de calor, únicamente para los aparatos de calefacción local eléctricos de acumulación (seleccione uno)	
Potencia calorífica nominal	$P_{nom}$	2.0	kW	control manual de la carga de calor, con termostato integrado	[no]
Potencia calorífica mínima (indicativa)	$P_{min}$	1.260	kW	control manual de la carga de calor con respuesta a la temperatura interior o exterior	[no]
Potencia calorífica máxima continuada	$P_{max,C}$	2.050	kW	control electrónico de la carga de calor con respuesta a la temperatura interior o exterior	[no]
Consumo auxiliar de electricidad				potencia calorífica asistida por ventiladores	[no]
A potencia calorífica nominal	$e_{lmax}$	N/A	kW	<b>Tipo de control de potencia calorífica/de temperatura interior (seleccione uno)</b>	
A potencia calorífica mínima	$e_{lmin}$	N/A	kW	potencia calorífica de un solo nivel, sin control de temperatura interior	[no]
En modo de espera	$e_{lSB}$	N/A	kW	Dos o más niveles manuales, sin control de temperatura interior	[no]
				con control de temperatura interior mediante termostato mecánico	[sí]
				con control electrónico de temperatura interior	[no]
				control electrónico de temperatura interior y temporizador diario	[no]
				control electrónico de temperatura interior y temporizador semanal	[no]
				<b>Otras opciones de control (pueden seleccionarse varias)</b>	
				control de temperatura interior con detección de presencia	[no]
				control de temperatura interior con detección de ventanas abiertas	[no]
				con opción de control a distancia	[no]
				con control de puesta en marcha adaptable	[no]
				con limitación de tiempo de funcionamiento	[no]
				con sensor de lámpara negra	[no]

TESY Ltd - Head office  
 1166 Sofia, Sofia Park,  
 Building 16V, Office 2.1. 2nd Floor  
 PHONE: +359 2 902 6666,  
 FAX: +359 2 902 6660,  
 office@tesy.com

## PRECAUÇÕES IMPORTANTES E INSTRUÇÕES DE SEGURANÇA:



### CUIDADO:

- Antes de começar a utilizar este aparelho, leia com atenção as instruções e guarde-as para consulta futura. No caso de alteração do proprietário, as instruções de utilização são entregues junto do aparelho.

- **CUIDADO:** Crianças menores de 3 anos devem estar longe do aparelho, caso não sejam vigiadas por um adulto.

Crianças de idade entre os 3 anos até aos 8 anos podem só utilizar a tecla Ligar/Desligar do aparelho no caso de aparelho já instalado e pronto para funcionar normalmente e caso sejam vigiadas por um adulto, saibam as instruções de segurança e compreendam os riscos. Crianças de idade entre os 3 anos até aos 8 anos não devem ligar o aparelho à tomada de corrente, configurar o aparelho, limpá-lo ou executar qualquer manutenção.

Este aparelho pode ser usado por determinados grupos de pessoas, incluindo crianças maiores de 8 anos e pessoas com capacidades físicas, sensoriais e mentais reduzidas, pessoas pouco experimentadas ou com poucos conhecimentos, exceto quando supervisionadas ou tenham recebido instruções quanto à utilização do aparelho em segurança e compreendem os perigos. As crianças não devem brincar com o aparelho. A limpeza e a manutenção não devem ser efetuadas por pessoas não vigiadas.

- O aparelho não se destina ao uso por pessoas (incluindo crianças) com capacidades físicas, sensoriais ou mentais reduzidas ou com pouca experiência ou conhecimentos, salvo se elas tiverem recebido supervisão ou instruções a respeito do uso do aparelho de uma pessoa responsável pela sua segurança.

Certifique-se que as crianças não brinquem com o aparelho.

- **CUIDADO:** Algumas partes da unidade podem ficar muito quentes e causar queimaduras. Nunca deixe crianças e pessoas vulneráveis sem vigilância.



- **ATENÇÃO:** para evitar o sobreaquecimento, não cubra o aparelho!
- Nunca coloque o aparelho diretamente abaixo da caixa da tomada!
- Se o cabo de alimentação estiver danificado, deve ser substituído pelo fabricante, seu agente de serviço ou pessoas igualmente qualificadas para evitar perigos.
- Antes de ligar o aparelho, certifique-se de que a voltagem indicada na placa do aparelho corresponde à

voltagem da rede elétrica em casa.

- Este aparelho deve ser utilizado para o fim a que se destina e para o qual foi concebido, i.e. aquecer compartimentos de habitação. O aparelho não se destina a aquecer estabelecimentos comerciais. Qualquer uso diferente será considerado incorreto e por conseguinte perigoso. O fabricante não assume responsabilidade por danos decorrentes de uso impróprio e insensato. A negligência das informações de segurança torna inválida a garantia do aparelho!
- Ao sair de casa, não deixe o aparelho ligado: certifique-se de que a chave está em posição desligada. Desligue sempre o aparelho da tomada.
- Deve manter os objetos facilmente incendiáveis tais como móveis, almofadas, lençóis, papel, roupa, cortinados, etc., a uma distância de pelo menos 100 cm do aquecedor elétrico.
- Não utilize o aparelho em zonas onde são utilizadas ou armazenadas substâncias inflamáveis. Não utilize o aparelho em zonas com atmosferas inflamáveis (por exemplo: em proximidade de gases ou aerossóis inflamáveis), porque existe um grande risco de explosão ou incêndio!
- Não insira nem coloque qualquer objeto nos orifícios de ventilação (na entrada ou saída), visto que tal ação pode causar choque elétrico, incêndio ou danificar o aparelho.
- O aparelho não é apropriado a ser utilizado em compartimentos onde se criam animais, sendo o mesmo destinado somente para uso doméstico!
- Certifique-se de que a entrada e a saída de fluxo de ar não são obstruídas por objetos: pelo menos a uma distância de 1 m a frente e 1 m atrás do aquecedor de convecção.
- A razão mais frequente de sobreaquecimento é a acumulação de musgo ou pó no aparelho. Limpe regularmente com o aspirador os orifícios de ventilação, sendo obrigatório desligar o aparelho da tomada antes de limpá-lo.
- Nunca toque no aparelho de mãos molhadas ou húmidas – existe perigo de morte!
- A tomada deve ser acessível a todo o momento para que a ficha fêmea seja tirada o mais rápido possível em caso de emergência! Nunca puxe o cabo de alimentação ou o próprio aparelho ao desligá-lo da rede.
- Preste atenção! A saída de ar fica quente durante o funcionamento (acima de 100°C).
- Não cubra o aparelho. Caso esteja coberto existe um risco de sobreaquecimento.
- Se o aparelho não estiver a funcionar como deve ser, desligue-o, mas não o repare. Se precisar de reparação, entre em contato com o Centro de Assistência Técnica para suporte pós-venda. Nesse centro a peça defeituosa será substituída por outra peça original. O desrespeito desta condição compromete a segurança do aparelho.
- Se decidir deixar de utilizar este tipo de aparelho,

recomendamos que o torne inutilizável cortando o fio depois de ter desligado o aparelho da rede. Recomendamos igualmente que tome as medidas de precaução necessárias para não permitir que, especialmente, as crianças brinquem com um dispositivo (aparelho) amortizado.

- Nunca deixe o aparelho desnecessariamente ligado. Desligue o aparelho da rede de alimentação quando tencionas não utilizar o aparelho durante muito tempo.
- **Atenção:** Nunca utilize este aparelho com programador, contador ou outro aparelho que o liga automaticamente porque se o aparelho estiver coberto ou incorretamente colocado, existe um perigo de incêndio.
- Coloque o cabo de alimentação de forma a não incomodar e obstruir a passagem de pessoas e não ser pisado! Utilize somente extensões aprovadas e apropriadas para o aparelho, i.e. munidas da marca de conformidade!
- Nunca desloque o aparelho puxando-o pelo cabo bem como não utilize o cabo para o transporte de objetos!
- Não dobre o cabo, não o arraste por cantos agudos e não o coloque por cima de placas quentes ou fogo aberto!
- Nunca utilize o aparelho em proximidade de casas de banho, duches ou piscinas!
- **AVISO:** Para reduzir o risco de incêndio, mantenha o têxtil, cortinas ou outro material inflamável a uma distância mínima de 1 m da saída do ar.
- Não use este aparelho nas imediações de uma banheira, chuveiro ou piscina;
- Não use o aparelho se este já caiu no chão;
- Não utilizar se houver sinais visíveis de danos no aparelho;
- Use este aparelho numa superfície horizontal e estável ou fixe-o na parede, conforme o caso.
- **AVISO:** Não use o aparelho em salas pequenas, quando estas são habitadas por pessoas que não podem sair da sala sozinhas, a menos que haja supervisão constante.

## EMBALAGEM

- Depois de tirar o aparelho da embalagem, certifique-se de que este não ficou danificado durante o transporte e todos os componentes estão presentes! Se constatar qualquer dano ou entrega incompleta, entre em contato com o vendedor autorizado!
- Não deite fora a caixa de embalagem original! Guarde a embalagem original para armazenamento futuro ou transporte a fim de evitar danos de transporte!
- Deite fora o material de embalagem de forma apropriada! As crianças não devem brincar com sacos de polietileno!

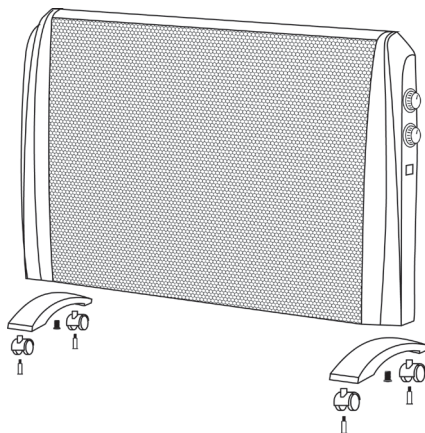
Obrigado por ter escolhido o aquecedor elétrico de convecção MC 2013. É um aparelho que proporciona durante a época de Inverno um aquecimento conforme as

necessidades para manter uma temperatura confortável na divisão aquecida. Optando por uma utilização correta e cuidados adequados conforme as instruções dadas neste manual do utilizador, aumentará a vida útil do aparelho.

## INSTALAÇÃO E USO DO APARELHO

Antes de ligar o seu painel radiante de convecção

Por favor certifique-se de que o conjunto de pés estão corretamente fixos a cada suporte do aparelho pelos parafusos adequados.



Coloque o painel na posição correta para funcionar antes de o ligar à rede de alimentação elétrica

- O aparelho está munido de uma chave para escolha de potência. „I“ é para 1200W, „II“ é para 2000W. A potência máxima geral pode ser atingida, quando escolhidas ambas as posições é de 2000W.
- O aparelho está munido de termostato sensível à temperatura ambiente. Pode girar a chave do termostato (Thermostat knob) até atingir a temperatura ambiente (é preciso que o local de aquecimento esteja conforme a potência do aparelho, e caso haja impossibilidade de atingir a temperatura desejada é preciso utilizar um aparelho de aquecimento adicional) no local. Pode rodar o termostato no sentido dos ponteiros do relógio para funcionar à potência máxima, depois de atingir a temperatura desejada no compartimento deve rodar o termostato levemente no sentido contrário dos ponteiros do relógio enquanto ouvir o termostato «estalar». Depois o aparelho manterá a temperatura do ar no compartimento ao nível configurado através ligar e desligar automático.
- O aparelho tem função integrada contra congelamento (anti-frost). Quando decidir utilizar o aparelho em compartimento onde é necessário manter uma temperatura mínima (jardins de inverno, caves, sótãos) o aparelho liga-se para o nível pretendido de aquecimento (I posição ou II posição, ou ambas), deve rodar o termostato em sentido contrário aos ponteiros do relógio até atingir o menor círculo de aquecimento indicado.

Nesta posição o aparelho garante manter uma temperatura ambiental na faixa de  $5\pm 2^{\circ}\text{C}$  – i.e. periodicamente ele ligará e desligará, mantendo o nível fixo de temperatura confortável na divisão.

- As posições possíveis são mostradas a título de informação.



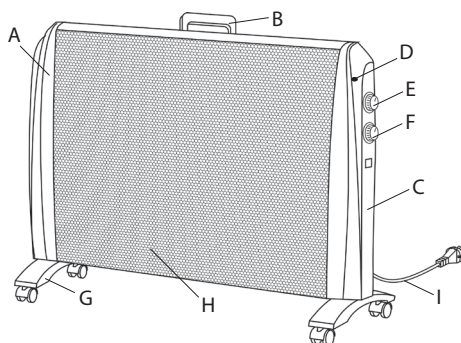
**Nota:** O dispositivo mostra a temperatura ao redor da localização do sensor e não é um meio de medir com precisão a temperatura ambiente.

### DESLOCAÇÃO DO APARELHO:

Se for necessário deslocar o aparelho, desligue-o através da chave, tire a ficha da tomada e pegando-o com as duas mãos desloque o aparelho para o novo sítio, sendo necessário efetuar a deslocação quando o aparelho estiver frio (arrefecido). A deslocação do aparelho ainda quente pode causar consequências indesejáveis para o consumidor, tais como queimaduras ou queda de materiais inflamáveis por cima do painel de convecção durante a deslocação deste.

### DESCRIÇÃO DO APARELHO

- Parte lateral esquerda do painel de convecção
- Puxador
- Parte lateral direita do convetor
- Indicador de sinalização
- Chave para configurar os graus de aquecimento
- Termóstato
- Base do aparelho
- Grelha protetora
- Cabo de alimentação



### SENSOR INCORPORADO DE ANTI-QUEDA)

O aquecedor vem equipado de um sensor incorporado anti-queda. Caso o aquecedor caia, a alimentação será cortada. Deixe o aparelho durante algum tempo para arrefecer e volte a colocá-lo na posição certa. Ele voltará a funcionar normalmente.

### DESLIGAÇÃO AUTOMÁTICA PARA PROTEÇÃO

No aquecedor existe um dispositivo incorporado

(termorregulador autoajustável), que se liga e desliga automaticamente no caso de sobreaquecimento e é ajustável no caso de arrefecimento da temperatura do aparelho.



### Importante!

É provável que sinta um cheiro específico ao ligar pela primeira vez o aparelho. Isto é normal durante o período inicial de funcionamento. Certifique-se de que o aquecedor está colocado numa divisão bem arejada e deixe-o a funcionar enquanto o cheiro desaparecer.

Pode ouvir um ruído específico que faz lembrar um estaladiço, enquanto o aquecedor estiver a aquecer. Isto é normal e o aquecedor trabalha em regime normal. Logo que o aquecedor fique aquecido, este barulho desaparece.

### LIMPEZA

- Em primeiro lugar é obrigatório carregar no botão para desligar o aparelho e tirar a ficha da tomada. Antes de começar a limpar o aquecedor, deixe-o a arrefecer desligando-o da tomada.
- Limpe o corpo com pano húmido, aspirador ou escova.
- Nunca coloque o aparelho em água – existe perigo de morte devido a choque elétrico!
- Nunca utilize gasolina, diluente ou produtos abrasivos para limpar o aparelho, porque podem danificar o revestimento do aparelho.

### ARMAZENAMENTO

- Antes de guardar o aquecedor, deixe-o arrefecer desligando-o da tomada.
- Utilize a embalagem original para guardar o aquecedor, caso este não seja utilizado por algum tempo. Guardando o produto na embalagem original, este fica protegido contra empoeiramento excessivo e poluição.
- Nunca coloque na embalagem o aparelho ainda quente!
- É preciso conservar o aparelho em lugar seco e protegido da luz direta do sol.
- É expressamente proibido armazenar o aparelho em compartimentos húmidos ou molhados.

### PEÇAS NA EMBALAGEM ORIGINAL:

Aquecedor de convecção	1 unidade
Pés	2 unidades (esquerda e direita)
Manual do utilizador	1 unidade
Carta de garantia	1 unidade

### PARÂMETROS TÉCNICOS DO APARELHO:

Modelo	Potência declarada	Tensão de alimentação declarada	Frequência declarada
CN 221 MC	2000W	220-240V~	50Hz



### Indicações para proteção do meio ambiente

Os eletrodomésticos velhos contêm materiais valiosos e por isso não devem ser tratados como resíduos urbanos! Pedimos a sua colaboração para contribuir ativamente na proteção dos recursos e do meio ambiente, entregando o aparelho nos postos especializados para reciclagem (se houver tais).

**QUADRO 2 REQUISITOS DE INFORMAÇÃO PARA AQUECEDORES DE AMBIENTE LOCAL ELÉTRICOS**

Identificador(es) de modelo: CN 221 MC/HP1001-20

Elemento	Símbolo	Valor1.	Unidade	Elemento	Unidade
Potência calorífica				Tipo de potência calorífica, apenas para os aquecedores de ambiente local elétricos de acumulação (selecionar uma opção)	
Potência calorífica nominal	P <sub>nom</sub>	2.0	kW	Comando manual da carga térmica, com termostato integrado	[não]
Potência calorífica mínima (indicativa)	P <sub>min</sub>	1.260	kW	Comando manual da carga térmica, com retroação da temperatura interior e/ou exterior	[não]
Potência calorífica contínua máxima	P <sub>max,C</sub>	2.050	kW	Comando eletrónico da carga térmica, com retroação da temperatura interior e/ou exterior	[não]
Consumo de eletricidade auxiliar				Potência calorífica com ventilador	[não]
À potência calorífica nominal	eI <sub>max</sub>	N/A	kW	<b>Tipo de potência calorífica/comando da temperatura interior (selecionar uma opção)</b>	
À potência calorífica mínima	eI <sub>min</sub>	N/A	kW	Potência calorífica numa fase única, sem comando da temperatura interior	[não]
Em estado de vigília	eI <sub>SB</sub>	N/A	kW	Em duas ou mais fases manuais, sem comando da temperatura interior	[não]
				Com comando da temperatura interior por termostato mecânico	[sim]
				Com comando eletrónico da temperatura interior	[não]
				Com comando eletrónico da temperatura interior e temporizador diário	[não]
				Com comando eletrónico da temperatura interior e temporizador semanal	[não]
				<b>Outras opções de comando (seleção múltipla possível)</b>	
				Comando da temperatura interior, com deteção de presença	[não]
				Comando da temperatura interior, com deteção de janelas abertas	[não]
				Com opção de comando à distância	[não]
				Com comando de arranque adaptativo	[não]
				Com limitação do tempo de funcionamento	[não]
				Com sensor de corpo negro	[não]

TESY Ltd - Head office  
 1166 Sofia, Sofia Park,  
 Building 16V, Office 2.1. 2nd Floor  
 PHONE: +359 2 902 6666,  
 FAX: +359 2 902 6660,  
 office@tesy.com



## **ВНИМАНИЕ!**

- Прочитайте внимательно настоящие инструкции прежде чем использовать этот отопительный прибор и сохраняйте эти указания для будущего пользования. При изменении владельца, эту инструкцию надо передать вместе с прибором!
- **ВНИМАНИЕ:** Детей меньше 3-х лет надо держать на расстоянии, если они не находятся под непрерывным наблюдением.

Дети с 3-х до 8-ми лет могут пользоваться только кнопку вкл./выкл. прибора, при условии, что прибор установлен и готов к нормальной работе и их наблюдали и инструктировали относительно его использования безопасным способом и они понимают, что это может быть опасным. Детям с 3-х до 8-ми лет нельзя подключать прибор в розетку, настраивать, чистить или выполнять потребительскую поддержку.

Этот прибор можно пользоваться детьми старше 8 лет и лицами ограниченными физическими, сенсорными и умственными способностями, или у которых нет достаточного опыта и познания, если их не наблюдают или не инструктировали относительно безопасного использования прибора и они понимают опасность. Детям нельзя играть с прибором. Очистка и абонентское обслуживание нельзя быть сделано детьми без наблюдения.

- Этот прибор не предназначен для использования лицами (включая детей) с ограниченными физическими, сенсорными или умственными способностями или с недостатком опыта и знаний, если только они не находятся под присмотром или не проинструктированы относительно использования прибора лицом, ответственным за их безопасность.

Дети должны находиться под присмотром для гарантирования того, что они не играют с прибором.

- **ВНИМАНИЕ:** Некоторые части этого прибора могут стать очень горячими и могут привести к ожогам. Там, где присутствуют дети и уязвимые люди, должно быть удалено особое внимание.



- **ПРЕДУПРЕЖДЕНИЕ:** во избежание перегрева не накрывайте прибор!
- Прибор нельзя ставить непосредственно под

розеткой!

- Если шнур питания поврежден, он должен быть заменен производителем, его агентом по обслуживанию или лицами с аналогичной квалификацией, чтобы избежать опасности.
- Прежде чем подключите прибор – проверьте указанное на табличке напряжение соответствует или нет на напряжение электрической сети в доме.
- Этот прибор должен использоваться только по своему назначению, т.е. отапливать бытовые помещения. Прибор не предназначен для торговых целей. Любое другое употребление надо считать неправильным и следовательно опасным. Производитель не несет ответственность за ущербы, причиненные в результате неправильного и необоснованного использования. Несоблюдение информации безопасности приведет к потере гарантии прибора!
- Не уходите из дома, пока прибор включен: убедитесь, что прибор находится в выключенном положении. Всегда вынимайте вилку из розетки, когда не собираетесь использовать прибор в течение некоторого времени.
- Держите легковоспламеняющиеся предметы, как мебели, подушки, спальное белье, бумага, одежды, занавески и т.д. на расстояние не меньше 100 см от конвекторной печи.
- Не используйте прибор в зонах, где используются или сохраняются легковоспламеняющиеся вещества. Не используйте прибор в зонах легковоспламеняющихся атмосфер (например: вблизи воспламеняющихся газов и аэрозолей) – существует очень большая опасность от взрыва и пожара!
- Не вставляйте и не допускайте посторонних предметов в отверстия для вентиляции (входящие или выходящие), так как это приведет к поражению электрическим током или создает опасность от пожара в конвекторе.
- Прибор не подходит для выращивания животных, и тот же предназначен только для домашнего использования!
- Берегите вход и выход воздушного потока свободные от предметов: не меньше 1 м перед и 1 м за конвектором.
- Наиболее распространенной причиной перегрева - накопление пуха и пыли в машине. Редовно очищайте пылесосом вентиляционные отверстия, а перед этим обязательно отключите прибор от электрической сети.
- Никогда не трогайте прибор мокрыми руками – существует опасность для жизни!
- Контакт должен быть доступен в любое время, так что вилку возможно бы освободить, если это необходимо, как можно быстрее! Никогда не тяните за сетевой шнур или сам прибор при выключении из сети.
- Обратите внимание! Выходящий воздух

нагревается во время работы (больше 100°C).

- Не накрывайте прибор. Если он накрыт существует опасность от перегрева и опасность от пожара.
- Если прибор поврежден или функционирует неправильно, остановите его и не ремонтируйте его. Для любого ремонта обратитесь за содействием к Сервисному Центру послепродажного обслуживания. Только там можно заменить дефектные части с оригинальными запасными. Несоблюдение этого условия может компрометировать безопасность прибора.
- Если решите переустановить использование прибора этого типа, рекомендуется сделать его неиспользуемым, прерывая шнур, после того, как выключили его из сети. Рекомендуется еще обезопасить, все, связанное с прибором, особенно для детей, которые могли быть использовать амортизированное устройство (прибор) для игры.
- Никогда не оставляйте прибор ненужно включен. Отключите его от сети, когда не будете пользоваться его долгое время.
- **Внимание:** Не используйте этот прибор с программатором, счетчиком или другим устройством, которое автоматически включает его, так как, если прибор накрыт или неправильно поставлен существует опасность от пожара.
- Поставьте шнур питания, так что не мешал бы на движение людей и чтобы не наступали на него! Используйте только утвержденные удлинители, которые подходят для устройства, т. е. имеют знак соответствия!
- Никогда не перемещайте прибор, дергая за шнур и не используйте шнур для переноски предметов!
- Не перегибайте кабель и не тяните его через острые края, не надо ставить его на горячей плите или на открытом огне!
- Никогда не пользуйтесь этот прибор в непосредственной близости до ванной, до душа или до бассейна!
- **ВНИМАНИЕ:** Чтобы уменьшить риск пожара, держите текстиль, занавески или другие легковоспламеняющиеся материалы на расстоянии не менее 1 м от выхода воздуха.
- Не используйте този прибор в непосредственной близости от ванны, душа или бассейна;
- Не используйте этот прибор, если он был упущен;
- Не использовать при наличии видимых признаков повреждения прибора;
- Используйте этот прибор на горизонтальной и устойчивой поверхности или прикрепите его к стене, если это необходимо.
- **ВНИМАНИЕ:** Не используйте прибор в маленьких помещениях, где обитают люди, которые не могут покинуть помещение самостоятельно, если не

обеспечен постоянный присмотр.

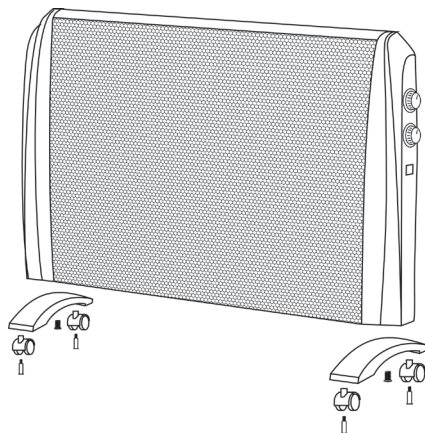
## УПАКОВКА

- После распаковки прибора, проверьте не поврежден ли он при транспорте и полностью ли он окомплектован! В случае констатирования повреждения или неполной поставки, свяжитесь с Вашим уполномоченным продавцом!
- Не выбрасывайте оригинальную коробку! Ее можно использовать для сохранения и транспортирования, чтобы избежать транспортные повреждения!
- Утилизация упаковочного материала должна быть сделана правильно. Детям нельзя позволять играть с пластиковыми пакетами!

Благодарим Вас, что выбрали конвектор CN 221 MC. Это устройство, которое предлагает отопление зимой с в зависимости от нужд для достижения комфортабельного тепла в отапливаемом помещении. При правильной эксплуатации и уходе, как указано в этой инструкции, прибор обеспечить Вам много лет полезного функционирования.

## УСТАНОВКА И ИСПОЛЬЗОВАНИЕ ПРИБОРА

Прежде чем включить Ваш панельный конвектор. Пожалуйста, проверьте правильно ли фиксированны оба комплекта колеса к каждому носителю прибора при помощи соответствующих винтов.




Поставьте конвектор в правильную рабочую позицию прежде чем включить его в электрическую сеть.

- Прибор оснащен ключом для выбора мощности. „I” - для 1200W, „II” - для 2000W. Общая максимальная мощность когда включаются и обе степени - 2000W
- Прибор оснащен терморегулятором, чувствительным к окружающей температуре. Вы можете вращать ручку термостата до



достижения желаемой температуры окружающей среды (помещение, которое отапливаете, необходимо быть сообразно с мощностью прибора, при невозможности достижения желаемой температуры придется использовать дополнительный прибор для отопления) в помещении. Вы можете повернуть терморегулятор по часовой стрелке на максимальной степени, (H1), после достижения желаемой комнатной температуры, нужно повернуть терморегулятор медленно против часовой стрелки, пока услышите что терморегулятор „щелкнул“. После этого прибор будет поддерживать температуру воздуха в комнате на заданном уровне, через автоматическое включение и выключение.

- Прибор оснащен встроенной функцией против замораживания (anti-frost). Когда решите использовать прибор в помещении, где нужно поддерживать минимальную температуру (зимние сады, подвалы, чардаки) прибор включается на желанном уровне отопления (I степень или II степень, или обе), терморегулятор нужно повернуть против часовой стрелки до достижения самого маленького круга индикации. В этом положении, устройство обеспечивает поддержку окружающей температуры в диапазоне  $5 \pm 2^\circ\text{C}$  – т.е. периодически он будет включать и выключать, поддерживая заданной фиксированный уровень температурной комфортабельности помещения.
- Возможные степени показаны индикативно.

 **Примечание.** Устройство показывает температуру в районе расположения датчика и не является средством точного измерения температуры окружающей среды.

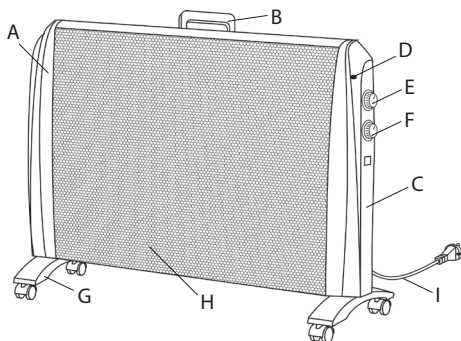
### ПЕРЕМЕЩЕНИЕ ПРИБОРА:

Если нужно перемещение прибора, отключите через выключатель, выньте штепсель от розетки и двумя руками переместите прибор на новом месте, а перемещение нужно осуществить при холодном (отстывшем) конвекторе. Перемещение теплого прибора может привести к нежелательным последствиям для потребителя, как сжигания или попадания горючих материалов на конвектор во время его перемещения.

### ОПИСАНИЕ ПРИБОРА

- A. Левая страница конвектора
- B. Ручка
- C. Правая страница конвектора
- D. Сигнальная лампа
- E. Ключ для степеней нагревания
- F. Терморегулятор

- G. Основа прибора
- H. Предохранительная решетка
- I. Шнур питания



### ВСТРОЕННЫЙ ВЫКЛЮЧАТЕЛЬ ПРОТИВ ПЕРЕВОРАЧИВАНИЯ (ПАДЕНИЯ)

Конвектор оснащен встроенным выключателем против переворачивания, если прибор перевернется, напряжение прервется. Оставьте его известное время пока охладиться и тогда поставьте его снова на месте. Он восстановит свою нормальную работу.

### АВТОМАТИЧЕСКОЕ ЗАЩИТНОЕ ОТКЛЮЧЕНИЕ

В конвекторе есть и встроенное устройство (самовосстанавливаемый термовыключатель), который автоматически задействуется и отключается в случае перегрева и снова включается при понижении температуры прибора.

### **Важно!**

*Возможно при первом включении прибора ощутить специфический запах. Это нормально для первоначального периода работы. Убедитесь, что конвектор поставлен в хорошо вентилированном помещении оставьте его работать, пока запах исчезнет.*

*Можете услышать и специфический шум, напоминающий щелк, пока конвектор нагревается. Это нормально и конвектор работает в нормальном режиме. Сразу после нагревания конвектора, этот тоизи шум исчезает.*

### ОЧИСТКА

- Обязательно надо отключить выключатель прибора и вынуть вилку из розетки в стене. Прежде чем начать чистить конвектор, оставьте его охладиться, отключая от розетки
- Протирайте корпус влажной тряпкой, пылесосом или щеткой.

- Никогда не погружайте прибор в воду – это опасно для жизни из-за поражения электрическим током!
- Никогда не используйте бензин, растворитель или жесткие абразивные чистящие средства, так как они могут повредить покрытие устройства.

### ХРАНЕНИЕ

- Перед хранением конвектора, оставьте его охладиться, отключая от розетки
- Используйте оригинальную упаковку для сохранения вентилятора если не будете пользоваться его известное время. Данный продукт защищен от пыли и грязи при сохранении его в оригинальной упаковке.
- Никогда не храните теплый прибор в его упаковке!
- Продукт нужно хранить в сухом и защищенном от прямых солнечных лучей месте.
- Категорически запрещается его хранение во влажных или мокрых помещениях.

### ОБОРУДОВАНИЕ В ОДНОМ ПАКЕТЕ:

Конвектор	1 шт
Ножки	2 шт
Инструкция	1 шт
Карта гарантии	1 шт

### ТЕХНИЧЕСКИЕ ПАРАМЕТРЫ ПРИБОРА:

Модель	Объявленная мощность	Объявленное напряжение	Объявленная частота
CN 221 MC	2000W	220-240V~	50Hz



### Инструкции по защите окружающей среде

Старые электроприборы содержат ценные материалы и поэтому нельзя выбрасывать их вместе с бытовыми отходами! Мы просим вас содействовать своим активным вкладом для сохранения окружающей среды и нужно передать его в организованных пунктах (если есть такие).



## DĖMESIO:

- Būtinai perskaitykite šią instrukciją prieš pradėdami naudotis produktu, ir išsaugokite ją ateičiai. Keičiantis savininkui, eksploataavimo instrukcija turi būti perduota kartu su įrenginiu!
- **DĖMESIO:** Vaikai, jaunesni nei 3 metų, neturi būti prileidžiami prie įrenginio, išskyrus atvejus, kai jie nuolat prižiūrimi.

Vaikai nuo 3 iki 8 metų gali tik naudotis mygtuku j./išj., su sąlyga, kad įrenginys yra sumontuotas ir paruoštas normaliam darbui, o vaikai yra stebimi ir buvo instruktuoti, kaip juo saugiai naudotis, ir supranta, kad tai gali būti pavojinga.

Vaikai nuo 3 iki 8 metų neturėtų įjungti įrenginio į tinklą, nustatinėti jo, valyti ar kitaip prižiūrėti.

Šį įrenginį gali naudoti vaikai vyresni nei 8 metų ir asmenys su ribotomis fizinėmis, emocinėmis arba protinėmis galimybėmis, taip pat su patirties ir žinių trūkumu, išskyrus atvejus, kai jie yra stebimi, arba juos instruktavo asmuo, atsakantis už jų saugumą, kaip elgtis su įrenginiu. Būtina stebėti, kad maži vaikai nežaistų su įrenginiu! Vaikai negali valyti ir prižiūrėti įrenginio, jeigu jie nėra stebimi.

- Šis prietaisas nėra skirtas naudoti asmenims (įskaitant vaikus), kurių fiziniai, jutiminiai ar protiniai gebėjimai yra riboti arba kurie neturi patirties ir žinių, nebent už jų saugumą atsakingas asmuo juos prižiūrėtų arba instruktuo jų, kaip naudoti prietaisą.
- Vaikus reikia prižiūrėti, kad jie nežaistų su prietaisu.
- **DĖMESIO:** Kai kurios įrenginio dalys gali labai įkaisti ir sukelti nudegimų pavojų. Ten, kur yra vaikų ir kitų pažeidžiamų asmenų, turi būti atkreipiamas ypatingas dėmesys.

- **ĮSPĖJIMAS:** vengdami perkaitimo, neuždenkite įrenginio!



- Įrenginio nerekomenduojama montuoti nedelsiant po lizdų!
- Jei pažeistas maitinimo laidas, norint išvengti pavojaus, jį turi pakeisti gamintojas, jo techninės priežiūros atstovas ar panašiai kvalifikuoti asmenys.
- Prieš montuodami šildytuvą, patikrinkite, ar nurodyta lentelėje įtampa atitinka elektros tinklo įtampą namuose (biure).
- Šis įrenginys turi būti naudojamas tik pagal paskirtį, t.y. buitinių patalpų apšildymui. Prietaisas nėra

skirtas komerciniams tikslams. Bet koks kitoks pritaikymas laikomas neteisingu ir pavojingu. Gamintojas negali atsakyti už gedimus, kuriuos sukėlė neteisingas ir neprotingas įrenginio naudojimas. Dėl saugumo informacijos nesilaikymo įrenginio garantija tampa negaliojanti!

- Neišieikite iš namų, kol įrenginys yra įjungtas: įsitikinkite, kad mygtukas yra padėtyje "išjungta". Visada ištraukite įrenginio kištuką iš lizdo.
- Laikykite lengvai užsiliepsnojančius daiktus, kaip baldai, pagalvės, patalynė, popierius, drabužiai, užuolaidos ir kt. bent 100 cm atstumu nuo krosnelės.
- Nenaudokite įrenginio zonoje, kuriose naudojamos ar saugomos degios medžiagos. Nenaudokite įrenginio zonoje, kuriose gali būti degių atmosferų (pavyzdžiui, arti dujų ar aerozolių) – yra labai didelis sprogdimo ir gaisro pavojus!
- Neleiskite, kad svetimkūniai patektų į ventiliacijos angas (įleidimo ar išleidimo), nes tai gali sukelti elektros smūgį, gaisrą ar ventilatoriaus gedimą.
- Įrenginys netinka gyvūnų priežiūrai, jis skirtas tik naudojimui namuose!
- Laikyti įleidimo ir išleidimo srauto nemokamai daiktus: ne mažiau kaip 1 metro atstumu nuo priekyje ir vienas metras už konvektorių.
- Dažniausia priežastis, dėl perkaitimo yra pūkelių ir dulkių kaupimas į mašiną. Reguliariai reikia susiurbti ventiliacijos angas, bet prieš to būtinai išjungti prietaisą iš tinklo.
- Niekada nelieskite įrenginio šlapiomis ar drėgnomis rankomis – yra pavojus gyvybei!
- Lizdas turi būti pasiekiamas bet kurio metu, kad pririnktus kištukus galėtų būti ištrauktas kiek galima greičiau! Niekada netraukite maitinimo laido arba paties įrenginio išjungdami jį iš tinklo.
- Prisiimkite savo dėmesio, kad! Šalinamo metu oras tektų pasišildyti (iki daugiau nei 100°C).
- Neuždenkite įrenginio. Uždenktas įrenginys sukelia perkaitimo pavojų.
- Jeigu įrenginys netvarkingas arba neteisingai funkcionuoja, sustabdykite jį ir neremontuokite. Dėl bet kokio remonto kreipkitės į aptarnavimo po pardavimo centrą. Tik ten pakeis sugedusią dalį tokia pačia originalia dalimi. Šios sąlygos nesilaikymas gali priversti prie to, kad įrenginys nebus saugus.
- Jeigu nuspręsite nebenaudoti šio tipo įrenginio, rekomenduojama tai padaryti įrenginį netinkamas, pjovimdamas laidą, prieš tai išjungę jį iš tinklo. Rekomenduojama vengti visų pavijų, ypatingai saugoti įrenginį nuo vaikų, kurie gali panaudoti įrenginį žaidimams.
- Niekuomet nepalikite prietaiso įjungtas be reikalo. Išjunkite jį iš maitinimo tinklo, kai nenaudojate

ilgesnį laiką.

- **DĖMESIO:** Nenaudokite šio įrenginio su programavimo įrenginiu, skaitikliu ar kitu įrenginiu, kuris automatiškai jį įjungia, nes jeigu įrenginys yra uždegtas arba neteisingai pastatytas, yra gaisro pavojus.
- Įdėkite maitinimo laidą taip, kad jis neturi trukdyti žmonių judėjimui, ir kad negali būti vaikščioto. Naudokite tik aprobuotus ilgutuvus, tinkančius įrenginiui, kadangi jie turi atitikties ženklą!
- Niekada neperstatykite įrenginio, tempdami už laido, taip pat nenaudokite daiktams pernešti!
- Netempkite laido per aštirus kampus ir nedėkite jo ant karštų paviršių arba prie atviros ugnies!
- Niekada nenaudokite šio įrenginio arti vonios, dušo ar baseino.
- **DĖMESIO:** Kad sumažintumėte gaisro pavojų, tekstilės gaminius, užuolaidas ar kitas degias medžiagas laikykite mažiausiai 1 m atstumu nuo oro išleidimo angos.
- Nenaudokite šio prietaiso šalia vonios, dušo ar plaukimo baseino;
- Nenaudokite šio prietaiso, jei jis buvo numestas ant žemės;
- Nenaudokite, jei yra matomų prietaiso pažeidimo požymių;
- Naudokite šį įrenginį ant horizontalaus ir stabilaus paviršiaus arba priklausomai nuo atvejo pritvirtinkite prie sienos.
- **DĖMESIO:** Nenaudokite prietaiso mažose patalpose, kuriose gyvena žmonės, kurie negali patys išeiti iš patalpos, nebent būtų teikiama nuolatinė priežiūra.

## PAKUOTĖ

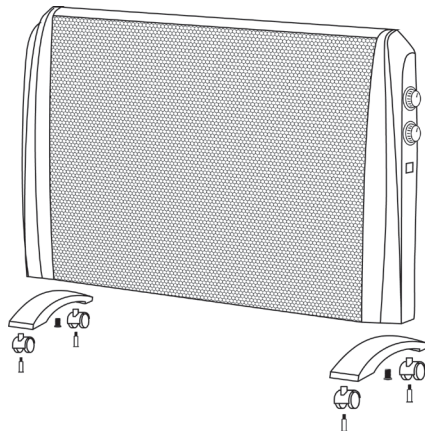
- Išpakavę įrenginį, patikrinkite, ar jis gabenimo metu nebuvo pažeistas ir ar yra pilnai sukomplektuotas! Jeigu nustatėte pažeidimą arba nepilną komplektą, susisiekite su savo įgaliotu pardavėju!
- Neišmeskite originalios pakuotės! Ją galima naudoti saugojimui ir gabenimui, siekiant išvengti pažeidimų! Neišmeskite originalios pakuotės! Ją galima naudoti saugojimui ir gabenimui, siekiant išvengti pažeidimų!
- Pakavimo medžiagą reikia tinkamai išmesti! Reikia saugoti, kad vaikai nežaistų su polietileno maišeliais!

Dėkojame, kad įsigijote konvektorinį šildytuvą CN 221 MC. Tai yra straipsnis, kuris suteikia šildymą žiemą, kiek reikia norint pasiekti komfortišką šilumą šildomoje patalpoje. Teisingai eksploatuojant ir prižiūrint įrenginį, kaip aprašyta šioje instrukcijoje, įrenginys tarnaus jums daugelį metų naudingą funkcijavimą.

## ĮRENGINIO MONTAVIMAS IR EKSPLOATAVIMAS

Prieš pradėdami vartoti Jūsų skydelis konvektorių

Prašome įsitikinkite, kad abiejų ratų komplektai yra tinkamai pritvirtinti prie kiekvieno įrenginio nešiko atitinkamais varžtais.



Pastatykite konvektorių į taisyklingą darbo poziciją prieš jį įjungdami į elektrinis tinklą.

- Įrenginys yra komplektuotas galingumo pasirinkimo jungikliu. „I“ – 1200 W, „II“ – 2000 W. Bendras maksimalus galingumas, kai įjungti abu lygiai, yra 2000 W.
- Įrenginys yra komplektuotas termostatu, jautriai reaguojantimi į aplinkos temperatūros. Galite pasukti termoreguliatoriaus rankenėlę, norėdami nustatyti pageidaujamą aplinkos temperatūrą (apsšildoma patalpa turi atitikti įrenginio galingumą, jeigu neįmanoma pasiekti pageidaujamos temperatūros, reikia naudoti papildomą šildytuvą) patalpoje. Galima pasukti termoreguliatorių laikrodžio rodyklės kryptimi iki maksimalaus rodklio, kai bus pasiekta jūsų pageidaujama temperatūra, lėtai pasukite termoreguliatorių prieš laikrodžio rodyklę, kol išgirsite spragtelėjimą. Tada įrenginys palaikys oro temperatūrą patalpoje pasirinktame lygyje, automatiškai įsijungs ir išsijungs.
- įrenginyje yra funkcija prieš užšalimą (anti-frost). Kai nutarsite naudoti įrenginį patalpoje, kur būtina palaikyti minimalią temperatūrą (žiemos sodai, rūšiai, palėpės), įrenginyje nustatomas pageidaujamas apšildymo lygis (I lygis arba II lygis, arba abu), termoreguliatorius pasukamas prieš laikrodžio rodyklę iki mažiausio apskritimo indikatoriuje. Šioje pozicijoje užtikrinama aplinkos temperatūra diapazonu 5±2°C – t.y. įrenginys nuolat įsijungs ir išsijungs, palaikydamas nustatytą užfiksuotą temperatūros lygį patalpoje.
- Galimi lygiai rodomi indikatoriuje.

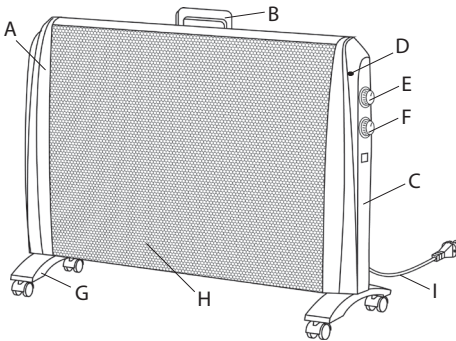
**Pastaba:** Prietaisas rodo temperatūrą aplink jutiklio vietą ir nėra priemonė tiksliai matuoti aplinkos temperatūrą.

## ĮRENGINIO PERKĖLIMAS:

Jeigu reikia perkelti šitą įrenginį išjunkite rankenėles, atjunkite nuo maitinimo tinklo ir dviejomis rankomis perkelkite į naują vietą įrenginį. Perkėlimas turėtų būti atliekamas, kai įrenginys yra jau šaltas. Karšto įrenginio perkėlimas gali sukelti neigiamų pasekmių vartotojui, pavyzdžiui, deginimas ar degių medžiagų patekimo ant konvektoriaus per įrenginio perkėlimas laiko.

## ĮRENGINIO APRAŠYMAS

- Kairioji konvektoriaus pusė;
- Rankena
- Dešinioji konvektoriaus pusė;
- Signalinė lempa
- Galingumui pasirinkti termoregulatoriaus rankenėlę
- Termoregulatorius
- Įrenginio pagrindas
- Apsauginės grotelės
- Maitinimo laidas



## ĮMONTUOTAS SAUGIKLIS NUO APVIRTIMO (KRITIMO)

Konvektoriuje įmontuotas saugiklis nuo apvirtimo, tuo atveju, jei įrenginys apviršų, maitinimas nutrūks. Palikite jį tam tikrą laiką, kol atvės, ir tada pastatykite vėl. Įrenginys vėl pradės normaliai veikti. Įrenginys vėl pradės normaliai veikti.

## AUTOMATINIS APSAUGINIS IŠJUNGIMAS

Konvektoriuje yra įmontuotas įrengimas (savaiame atsistatantis termojungiklis), kuris automatiškai įsijungia ir išsijungia perkaitimo atveju, ir įsijungia, kai temperatūra sumažėja.



**Svarbu!**

Gali būti, kad, įjungę įrenginį pirmą kartą, jūs pajusite

specifinį kvapą. Tai yra normalu darbo pradžioje. Įsitikinkite, kad konvektoriaus yra gerai vėdinamoje patalpoje, ir palikite jį veikiantį, kol kvapas išnyks.

Galite išgirsti ir specifinį garsą, panašų į traškėjimą, kol kolvektoriaus šyla. Tai yra normalu, ir konvektoriaus dirba normaliu režimu. Kai tik konvektoriaus iššyla, garsas dingsta.

## VALYMAS

- Būtinai iš pradžių išjunkite įrenginį ir ištraukite kištuką iš lizdo. Prieš valant konvektorių, leiskite jam atvėsti jį išjungti iš elektros tinklo.
- Valykite korpusą drėgnu skudurėliu, dulkių siurbliu arba šepetiu.
- Niekada netaipinkite įrenginio į vandenį – kyla pavojus gyvybei nuo elektrinio šoko!
- Niekada nenaudokite benzino, plonesni arba atšiaurių abrazyvinių valymo priemonių, nes jie sugadino įrenginio apdaila.

## LAIKYMAS

- Prieš laikyti konvektorių, leiskite jam atvėsti jį išjungti iš elektros tinklo.
- Jeigu kurį laiką įrenginys nenaudojamas, jį reikia apsaugoti nuo dulkių ir purvo, supakuojant į originalią pakuotę. Supakuojant į originalią pakuotę Jūs apsaugokite savo produktą nuo dydelio dulkių ir nešvarumų pavojus.
- Niekada nepakuokite šilto įrenginio!
- Produktas turi būti saugomas sausoje ir apsaugotoje nuo tiesioginių saulės spindulių vietoje.
- Vienareikšmiškai draudžiama laikyti konvektorius drėgnose ir šlapiose vietose.

## SUKOMPLETUOTA VIENOJE PAKUOTĖJE:

Konvektoriaus	1 vnt.
Kojelės	2 vnt.
Instrukcija	1 vnt.
Garantinis talonas	1 vnt.

## ĮRENGINIO TECHNINIAI PARAMETRAI:

Modelis	Galingumas	Elektros srovės įtempa	Dažnis
CN 221 MC	2000W	220-240V~	50Hz



## Aplinkosauginiai nurodymai:

Senuose elektros prietaisuose yra vertingų medžiagų, ir dėl to jų nereikia išmesti kartu su buitinėmis atliekomis! Prašome aktyviai prisidėti prie aplinkos apsaugos ir atiduoti įrenginį į organizuotus supirkimo centrus (jeigu tokių yra).

## 2 LENTELĖ INFORMACIJOS APIE ELEKTRINIUS VIETINIUS PATALPŲ ŠILDYTVUVUS REIKALAVIMAI

Modelio žymuo (-ens): CN 221 MC/HP1001-20

Parametras	Ženklas	Vertė1.	Vienetas	Parametras	Vienetas
Šiluminė galia				Tiekiamosios šiluminės galios lygiai – tik elektrinių kaupiamųjų vietinių patalpų šildytuvų (pasirinkti vieną)	
Vardinė šiluminė galia	$P_{nom}$	2.0	kW	Rankinis šiluminės įkrovos valdiklis su integruotu termostatu	[ne]
Mažiausia šiluminė galia (orientacinė)	$P_{min}$	1.260	kW	Rankinis šiluminės įkrovos valdiklis su patalpos ir (arba) lauko temperatūros jutikliu	[ne]
Didžiausia nuolatinė šiluminė galia	$P_{max,C}$	2.050	kW	Elektroninis šiluminės įkrovos valdiklis su patalpos ir (arba) lauko temperatūros jutikliu	[ne]
Pagalbinės elektros energijos vartojamoji galia				Ventiliatorinis šilumos atidavimas	[ne]
Esant vardinei šiluminei galiai	$e_{lmax}$	N/A	kW	<b>Šiluminės galios lygiai/patalpos temperatūros reguliavimas (pasirinkti vieną)</b>	
Esant mažiausiai šiluminei galiai	$e_{lmin}$	N/A	kW	Vieno šiluminės galios lygio ir be patalpos temperatūros reguliavimo	[ne]
Pristabdytąją veikseną	$e_{lSB}$	N/A	kW	Dviejų ar daugiau rankinių būdu nustatomų šiluminės galios lygių be patalpos temperatūros reguliavimo	[ne]
				Su mechaninio termostatinio patalpos temperatūros reguliavimo funkcija	[taip]
				Su elektroninio patalpos temperatūros reguliavimo funkcija	[ne]
				Elektroninis patalpos temperatūros reguliavimas ir paros laikmatis	[ne]
				Elektroninis patalpos temperatūros reguliavimas ir savaitės laikmatis	[ne]
				<b>Kitos valdymo pasirinktys (galimi keli variantai)</b>	
				Patalpos temperatūros reguliavimas su žmonių buvimo atpažintimi	[ne]
				Patalpos temperatūros reguliavimas su atviro lango atpažintimi	[ne]
				Su nuotolinio valdymo pasirinktimi	[ne]
				Su adaptyviuoju šildymo pradžios momento nustatymu	[ne]
				Ribojamo veikimo laiko	[ne]
				Su spinduliavimo temperatūros jutikliu (angl. black bulb sensor)	[ne]

TESY Ltd - Head office

1 166 Sofia, Sofia Park,

Building 16V, Office 2.1. 2nd Floor

PHONE: +359 2 902 6666,

FAX: +359 2 902 6660,

office@tesy.com



## UZMANĪBU:

- Izlasiet šo instrukciju pirms šīs ierīces izmantošanas un uzglabājiet to tālākai lietošanai. Ja ierīces īpašnieks nomainās, tad kopā ar ierīci jaunajam īpašniekam ir jānodod arī instrukcija.
- **UZMANĪBU:** Bērņus, kas ir mazāki par 3 gadiem ir jātur attālumā no ierīces, vienīgi, ja tie nav nepārtrauktā uzraudzībā.

Bērni vecumā no 3 līdz 8 gadiem var izmantot ierīces pogu iesli./izsl. Ar noteikumu, ka ierīce ir instalēta un gatava normālam darbam un ja tie ir uzmanīti un instruēti saistībā ar ierīces drošu izmantošanu un ja bērni saprot, ka tā var būt bīstama.

Bērni vecumā no 3 līdz 8 gadiem nedrīkst ieslēgt ierīci kontaktā, to uzstādīt un tīrīt un veikt ierīces patērētāju kopšanu.

Šo ierīci var izmantot bērni vecāki par 8 gadiem un cilvēki ar nepietiekamām fiziskām, sensoriālām vai mentālām spējām, vai ar nepietiekamām zināšanām un pieredzi, ja tos pieskata vai instruē sakārā ar ierīces drošu izmantošanu un kad tie saprot par bīstamību. Bērni nedrīkst spēlēt ar ierīci. Ierīces tīrīšanu un kopšanu, ko veic patērētāji, nedrīkst veikt bērniem bez pieaugušo uzraudzības.

- Šo ierīci nav paredzēts lietot personām (tostarp bērniem) ar ierobežotām fiziskām, maņu vai garīgām spējām vai pieredzes un zināšanu trūkumu, ja vien par viņu drošību atbildīgā persona nav sniegusi viņiem instrukciju vai norādījumus par ierīces lietošanu.

Bērniem ir jābūt uzraudzītiem, lai varētu garantēt, ka tie nespēlējas ar ierīci.

- **UZMANĪBU:** Šī produkta dažas daļas var palikt ļoti karstas un var izraisīt apdegumus. Tur kur uzturās bērni un neaizsargāti cilvēki, ir jābūt sevišķi vēriģiem.



- **BRĪDINĀJUMS:** Lai izvairītos no pārkaršanas, neapsedziet ierīci!
- Nenovietojiet radiatoru tiešā kontaktrozetes tuvumā, īpaši zem tās!
- Ja barošanas vads ir bojāts, tas jānomaina ražotājam, tā servisa pārstāvim vai līdzīgi kvalificētām personām, lai izvairītos no briesmām.
- Pirms ierīces ieslēgšanas, pārbaudiet vai norādītais strāvas spriegums uz ierīces plāksnītes atbilst Jūsu mājas elektrības tīkla spriegumam.
- Ierīce ir jāizmanto tikai paredzētajam mērķim, kam ir domāta, t.i. sadzīves telpu apsildīšanai. Ierīce nav

paredzēta komerciālām vajadzībām. Lietošana citiem mērķiem tiek uzskatīta nepareiza, kā rezultātā – bīstama. Ražotājs nevar būt atbildīgs par bojājumiem, kas ir radušies nepareizas un nepamatotas lietošanas rezultātā. Neievērojot drošības noteikumus, ierīces garantijas laiks nebūs spēkā!

- Neizejiet no mājām, kamēr ierīce strādā. Pārlicinieties, ka slēdzis ir stāvoklī – izslēgts. Vienmēr atvienojiet vadu no strāvas kontaktligzdas.
- Novietojiet viegli uzliesmojošos priekšmetus, kā piemēram mēbeles, spilvenus, gultas veļu, papīru, drēbes, aizskarus un tt. vismaz 100 cm attālumā no konvektora.
- Nelietojiet ierīci zonās, kur izmanto vai glabā ugunsnedrošas vielas. Neizmantojiet ierīci zonās ar viegli uzliesmojošām atmosfērām (piemēram: uzliesmojošu gāzi vai aerosolus) – pastāv liela eksplozijas un ugunsgrēka varbūtība!
- Nelieciet un nepieļaujiet svešķermeņu nokļūšanu ventilatora atverēs (ieejošās un izejošās), tā kā tas var novest līdz strāvas sītenam, ugunsgrēkam vai konvektora bojājumiem.
- Ierīce nav paredzēta mājdzīvnieku apsildei, tā ir domāta tikai lietošanai mājās apstākļos!
- Turiet gaisa plūsmas ieeju un izeju brīvu no priekšmetiem: vismaz 1 m attālumā no konvektora priekšējās puses un 1 m aiz tā.
- Visbiežākais iemesls ierīces pārsilšanai – putekļu un villas uzkrāšanās uz ierīces. Regulāri tīriet ar putekļu sūcēju ventilatora atveres, pirms tam izslēdzot ierīci no elektriskā tīkla.
- Nekad neaiztīriet ierīci ar mitrām vai slapjām rokām – var būt apdraudēta dzīvība!
- Kontaktam ir jābūt pieejamam katrā laikā, lai vajadzības gadījumā štepseļi var ātri atbrīvot. Atslēdzot no elektrotīkla ierīces nekad nevelciet barojošo vadu vai pašu ierīci.
- Ņemiet vērā! Ierīces darba laikā izejošais gaiss sasilst (vairāk par 100°C).
- Nekad neapsedziet ierīci. Apsēšanas gadījumā pastāv bīstamība no pārkaršanas un ugunsgrēka.
- Ja ierīce nedarbojas vai nepareizi funkcionē, izslēdziet to un neremontējiet. Visāda veida remontiem izmantojiet jūsu apdzīvotās vietas licenzētos servisa centrus. Tikai tur bojāto daļu nomainīs ar oriģinālu rezerves daļu. Šī noteikuma neievērošana kompromitēs ierīces drošību.
- Ja nolemsiet vairāk neizmantojot tāda tipa ierīci, tad ir ieteicams to padarīt par neizmantojamu, pēc atvienošanas no tīkla, nogrieziet vadu. Ieteicams visas bīstamības, kas ir saistītas ar ierīci, neitralizēt, sevišķi tās, kas ir saistītas ar bērniem, kas var izmantot amortizēto ierīci savām spēlēm.
- Nekad neatstājiet ierīci ieslēgtu bez vajadzības, izslēdziet radiatoru no tīkla, ja to ilgāku laiku

nelietosiet

- **Uzmanību:** neizmantojiet šo ierīci kombinācijā ar programatoru, skaitītāju vai ar citu iekārtu, kas to automātiski ieslēdz/izslēdz, jo ja ierīce ir apsegta vai nepareizi novietota, ir iespējams ugunsgrēks.
- Ierīces barojošo vadu novietojiet tā, lai tas netraucē cilvēku kustībai un lai tam neuzkāptu! Izmantojiet tikai pagarinātājus, kas ir piemēroti ierīcei, t.i. tiem ir atbilstības zīme!
- Nekad nepārvietojiet ierīci velkot to aiz vada un neizmantojiet vadu, lai pārvietotu priekšmetus!
- Nepārlokiet vadu un nevelciet to pāri asiem stūriem un nelieciet to uz karstām virsmām vai tuvu pie atklātas uguns!
- Nekad nelietojiet šo ierīci vannas istabās, dušas un peldbaseina tuvumā!
- **UZMANĪBU:** Lai samazinātu ugunsgrēka risku, turiet tekstilizstrādājumus, aizkarus vai citus viegli uzliesmojošus materiālus vismaz 1 m attālumā no gaisa izplūdes atveres.
- Neizmantojiet šo ierīci vannas, dušas vai peldbaseina tiešā tuvumā;
- Neizmantojiet šo ierīci, ja tā ir nokritusi;
- Nelietojiet, ja ir redzamas ierīces bojājumu pazīmes;
- Lietojiet šo ierīci uz horizontālas un stabilas virsmas vai attiecīgi piestipriniet to pie sienas, atkarībā no nepieciešamības.
- **UZMANĪBU:** Neizmantojiet ierīci mazās telpās, kur tajās uzturas cilvēki, kuri nevar paši iziet no telpas, ja vien netiek nodrošināta pastāvīga uzraudzība.

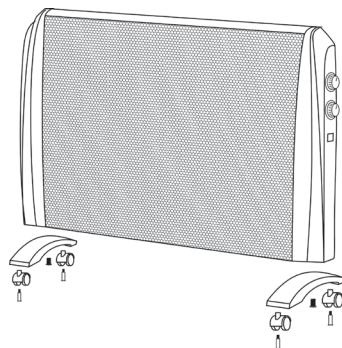
## IEPAKOJUMS

- Pēc ierīces izņemšanas no iepakojuma, pārbaudiet vai tā nav bojāta transportēšanas laikā un vai ir pilna komplektācija! Gadījumā, ja ir konstatēts bojājums un nav pilns komplekts, tad sazinieties ar Jūsu pilnvaroto pārdevēju!
- Neizmetiet ierīces veikala iepakojumu! To varat izmantot turpmākai ierīces saglabāšanai un transportēšanai, lai izvairītos no varbūtējiem bojājumiem transportējot!
- Iepakojums ir jāizmēģina piemērotās tam vietās! Bērniem ir aizliegts spēlēties ar polietilēna maisiem!

Pateicamies Jums, ka esat izvēlējušies konvektoru CN 221 MC. Tas ir izstrādājums, kas ir paredzēts apsildīšanai ziemā atkarībā no komfortablās temperatūras, kuru vēlaties apsildāmajā telpā. Pareizi ekspluatējot un apkopjot, kā tas ir aprakstīts šajā instrukcijā, ierīce Jūs nodrošinās ar pareizu funkcionēšanu daudzus gadus.

## IERĪCES INSTALĒŠANA UN IZMANTOŠANA

Pirms Jūsu paneļa konvektora ieslēgšanas, lūdzu pārbaudiet, vai abi ritentiņu komplekti ir pareizi fiksēti pie ierīces turētājiem ar attiecīgajām skrūvēm.



Pirms konvektora pieslēgšanas barojošam tīklam, nolieciet to pareizā darba pozīcijā.

- Ierīcei ir slēdzis jaudas izvēlei „I” ir 1200W, „II” ir 2000W. Kopējā maksimālā jauda kad būs ieslēgtas abas pakāpes ir 2000W.
- Ierīce ir aprīkota ar termoregulatoru, kas ir jūtīgs uz apkārtējo temperatūru. Varat iegriezt termoregulatora slēdzi (Thermostat knob) līdz vēlamai telpas temperatūrai (apkurināmās telpas lielumam ir jāatbilst ierīces jaudai, ja nav iespējams sasniegt vēlamo temperatūru, tad ir jālieto vēl papildus ierīce) Varat iegriezt termoregulatoru pulksteņrādītāja virzienā līdz maksimumam (H1), kad būs sasniegta Jūsu izvēlētā istabas temperatūra, termoregulators lēnām ir jāiegriež pretējā pulksteņrādītāja virzienā kamēr termoregulators nenoklikšķēs. Pēc tam termoregulators uzturēs istabā uzlikto gaisa temperatūru automātiski ieslēdzoties un izslēdzoties.
- Ierīcei ir uzstādīta pret aizsaldšanas funkcija (anti-frost). Kad izmantojiet ierīci telpās, kur jāuztur minimāla temperatūra (ziemas dārzs, pagrabi, jumts istabas), ierīci ieslēdz uz vēlamo temperatūru (uz I vai II pakāpi, vai uz abām), termoregulatoru iegriež pretēji pulksteņa rādītāja virzienam līdz mazākajam aplītim. Šajā pozīcijā ierīce garantēs apkārtējās telpas temperatūru  $5\pm 2^{\circ}\text{C}$  diapazonā, t.i. periodiski tas ieslēgsies un izslēgsies, uzturot uzlikto piefiksēto komfortablās temperatūras līmeni telpā.
- Iespējamās pakāpes ir parādītas indikatīvi.



**Piezīme:** Ierīce parāda temperatūru ap sensora atrašanās vietu un nav līdzeklis, lai precīzi mēritu apkārtējo temperatūru.

## IERĪCES PĀRVIETOŠANA:

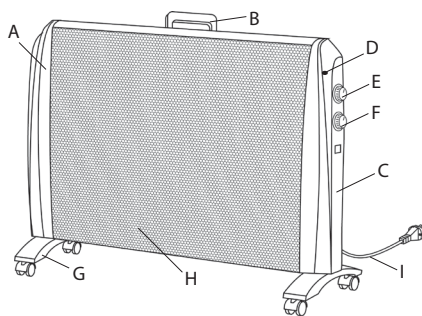
Ja ir nepieciešams pārvietot ierīci, tad izslēdziet dubulto slēdzi (Power switch), un ja modelim ir ventilators, tad izslēdziet to ir slēdzi (Fan switch), izņemiet kontakt dakšu no kontakta un ar abām rokām turot ierīci aiz rokturiem pārnēsiet ierīci uz jauno vietu. Pārvietošana ir jāveic tad, kad konvektors ir auksts (atdzisis). Karsta konvektora pārvietošana var novest līdz nevēlamām sekām, kā piemēram apdegumiem vai viegli



uzliesmojošu priekšmetu nokļūšanu uz konvektora, tā pārvietošanas laikā.

## IERĪCES APRAKSTS

- A. Kreisā konvektora puse
- B. Rokturis
- C. Labā konvektora puse
- D. Signāllampiņa
- E. Slēdzis siltuma pakāpju uzstādīšanai
- F. Termoregulators
- G. Ierīces pamats
- H. Aizsargrežģis
- I. Barojošais vads



## ĪMONTĒTAIS IZSLĒDZĒJS IERĪCES APGĀŠANĀS (KRIŠANAS) GADIJUMAM

Konvektoram ir ģimontĒts izslĒdzĒjs ierĪces apgĀšanĀs (krišanas) gadijumam, ja ierice nokritis, tad barojošĀ sprieguma padeve bĒs partraukta. AtstĀjiet to uz zinĀmu laiku, lai atdzies un tad to nolieciet vertikĀli. Ierice atsĀks normĀli strĀdĀt.

## AUTOMĀTISKAIS DROŠĪBAS SLĒDZIS

KonvektorĀ ir uzstĀdĪta automĀtiska ierĪce (patstĀvĪgs termoslĒdzis), kas automĀtiski darbojĀs un izslĒdzĀs, ja konvektors ir pĀrkarsis un tas ieslĒgsies, kad konvektors ir atdzis.



### Svarīgi!

IespĒjams ieslĒdzot pirmo reizi ierĪci, sajutisiet specifisku smaržu. Tas ir normĀli, kad ierĪce pirmo reizi darbojĀs. PĀrliecinieties, ka konvektors atrodĀs labi vĒdinĀmĀ telpĀ un atstĀjiet to lai strĀdĀ normĀlĀjĀ reŒimĀ, kamĒr smarža izzudīs. Varat dzirdĒt specifisku troksni, lĪdzĪgu sprakšķim, kamĒr konvektors iesilst. Tas ir normĀli un konvektors strĀdĀ normĀlĀ reŒimĀ. Kad konvektors iesilst, ŗi skaņa izzudīs.

## KOPŠANA

- ObligĀti vspirms izslĒdziet ierĪci ar slĒdzi un izslĒdziet barojošo vadu no tĪkla. Pirms konvektora

tĪrĪšanas, atstĀjiet lai tas atdzies.

- Slaukiet korpusu ar mĪkstu un mitru lupatĪņu, izmantojiet putekļsŒcĒju vai birzti.
- Nekad nelieciet ierĪci Œdeni. PastĀv bĪstamĪba dzīvĪbai no strĀvas sitiena!
- Nekad neizmantojiet tĪrĪšanai benzĪnu, ŗķĪdinĀtĀjus vai rupjus abrazĪvus tĪrĪšanas lĪdzekļus, tie sabojĀs ierĪces segumu.

## UZGLABĀŠANA

- Pirms konvektora iepakošanas, atstĀjiet, lai tas atdzies izslĒdzot to no kontakta.
- Izmantojiet oriĒģinĀlo iepakoĒumu ierĪces saglabĀšanai, ja to neizmantosiet zinĀmu laiku. IerĪce bĒs pasargĀts no putekļiem un bĒs tĪrs, ja to uzglabĀsiet oriĒģinĀlĀ iepakoĒumĀ.
- Nekad nelieciet siltu ierĪci tĀs iepakoĒumĀ!
- Nepieciešams ierĪci uzglabĀt sausĀ un aizsargĀtĀ no tiešiem saules stariem vietĀ.
- Uzsvēram, ka nedrĪkst ierĪci uzglabĀt mitrĀs un slapjĀs telpĀs.

## VIENS KOMPLEKTS IEPAKOJUMĀ SATUR:

Konvektors	1 gb
KĀjiņas	2 gb
Instrukcija	1 gb
Garantijas karte	1 gb

## TEHNISKIE IERĪCES PARAMETRI:

Modelis	NoteiktĀ jauda	NoteiktĀis barojošĀis spriegums	NominĀlĀ frekvence
CN 221 MC	2000W	220-240V~	50Hz



### NorĀdĪjumi apkĀrtĒjĀs vides aizsardzĪbai

VecĀs elektroierĪces satur vĒrtĪgus materiĀlus, tĀpĒc neizmetiet tos kopĀ ar sadzĪves atkritumiem! LŒdzam JŒs sadarboties apkĀrtĒjĀs vides resursu aizsardzĪbĀ un lŒdzam nogĀdĀt ierĪci organizĒtajos uzpirkšanas punktos (ja tĀdi ir pieejami).

## 2. TABULA INFORMĀCIJAS PRASĪBAS ELEKTRISKAJĪEM LOKĀLAJĪEM TELPU SILDĪTĀJIEM

Modeļa identifikators(-i): CN 221 MC/HP1001-20

Pozīcija	Apzīmējums	Vērtība1.	Vienība	Pozīcija	Vienība
Siltuma jauda				Siltuma pievades tips, tikai elektriskajiem siltumakumulācijas lokālajiem telpu sildītājiem (izvēlēties vienu)	
Nominālā siltuma jauda	$P_{nom}$	2.0	kW	manuāls siltumpadeves regulators ar integrētu termostatu	[nē]
Minimālā siltuma jauda (indikatīvi)	$P_{min}$	1.260	kW	manuāls siltumpadeves regulators ar informācijas pievadi par telpas un/vai ārtelpu temperatūru	[nē]
Maksimālā nepārtrauktā siltuma jauda	$P_{max,C}$	2.050	kW	elektronisks siltumpadeves regulators ar informācijas pievadi par telpas un/vai ārtelpu temperatūru	[nē]
Papildu elektroenerģijas patēriņš				siltuma jaudas regulēšana ar ventilatoru	[nē]
Pie nominālās siltuma jaudas	$e_{lmax}$	N/A	kW	<b>Siltuma jaudas/telpas temperatūras regulēšanas tips (izvēlēties vienu)</b>	
Pie minimālās siltuma jaudas	$e_{lmin}$	N/A	kW	vienpakāpes siltuma jauda bez telpas temperatūras regulēšanas	[nē]
Gaidstāves režīmā	$e_{lSB}$	N/A	kW	manuāla divpakāpju vai daudzpakāpju siltuma jauda bez telpas temperatūras regulēšanas	[nē]
				ar mehānisku termostatu un telpas temperatūras regulēšanu	[jā]
				ar elektronisku telpas temperatūras regulēšanu	[nē]
				ar elektronisku telpas temperatūras regulēšanu un diennakts taimerī	[nē]
				ar elektronisku telpas temperatūras regulēšanu un nedēļas taimerī	[nē]
				<b>Citi vadības veidi (var izvēlēties vairākus)</b>	
				telpas temperatūras regulēšana ar klātbūtnes detektēšanu	[nē]
				telpas temperatūras regulēšana ar atvērta loga detektēšanu	[nē]
				ar tālvadības funkciju	[nē]
				ar adaptīvu palaišanas vadību	[nē]
				ar darbības laika ierobežojumu	[nē]
				ar siltuma starojuma sensoru melnas lodes formā	[nē]

TESY Ltd - Head office

1166 Sofia, Sofia Park,

Building 16V, Office 2.1. 2nd Floor

PHONE: +359 2 902 6666,

FAX: +359 2 902 6660,

office@tesy.com



## UWAGA:

- Przeczytaj niniejszą instrukcję przed użyciem urządzenia oraz zachowuj te wskazówki do późniejszego wykorzystania. W przypadku zmiany właściciela, instrukcje należy przekazać razem z urządzeniem.
- **UWAGA:** Dzieci w wieku poniżej 3 lat powinny być utrzymywane daleko od urządzenia, chyba że nadchodzą się pod stałym nadzorem.

Dzieciom w wieku od 3 lat do 8 lat można korzystać tylko z przycisku Wł. / Wył. na urządzeniu, przy tym pod warunkiem, że urządzenie było już wcześniej zainstalowane i jest gotowe do normalnej pracy oraz jedynie, jeśli są one nadzorowane i uprzednio instruowane, co do stosowania konwektora w sposób bezpieczny - i rozumieją, że może ono być niebezpieczne.

Dzieci w wieku od 3 lat do 8 lat nie powinny być dopuszczane do podłączenia urządzenia do sieci zasilania, do ustawienia go, do czyszczenia urządzenia lub obsługi konserwacyjnej.

Dane urządzenie może być używane przez dzieci w wieku powyżej 8 lat i osób o ograniczonej sprawności fizycznej, sensorycznej lub umysłowej, lub nieposiadających niezbędnego doświadczenia oraz wiedzy tylko pod warunkiem, że są one nadzorowane lub poinstruowane na temat bezpiecznego korzystania z urządzenia, i rozumieją możliwe zagrożenia. Dzieci nie powinny bawić się urządzeniem. Czyszczenie i obsługa nie powinny być przeprowadzone dziećmi bez nadzoru osób dorosłych.

- Urządzenie to nie jest przeznaczone do użytkowania przez osoby (w tym dzieci) o ograniczonych zdolnościach fizycznych, sensorycznych lub umysłowych lub bez doświadczenia i wiedzy, chyba że są one nadzorowane lub zostały poinstruowane w zakresie obsługi urządzenia przez osobę odpowiedzialną za ich bezpieczeństwo.

Należy obserwować dzieci w celu zapewnienia, że nie bawią się urządzeniem.

- **UWAGA:** Niektóre części tego produktu mogą stać się bardzo gorące i spowodować oparzenia. W obecności dzieci oraz osób nieobronnych kwestiom bezpieczeństwa należy zwrócić szczególną uwagę.



- **OSTRZEŻENIE:** Aby uniknąć przegrzania, nie nakrywać urządzenia ogrzewczego!

- Urządzenia nie powinno umieszczać bezpośrednio pod gniazdkiem prądu elektrycznego!
- Jeśli przewód zasilający jest uszkodzony, musi zostać wymieniony przez producenta, jego przedstawiciela serwisowego lub podobnie wykwalifikowaną osobę w celu uniknięcia zagrożenia.
- Przed podłączeniem urządzenia - sprawdź czy napięcie, ukazane na tabliczce znamionowej, odpowiada napięciu dostarczanemu do Państwa domu.
- Dane urządzenie może być używane jedynie do celów, dla których jest ono przeznaczone, tj. do ogrzewania pomieszczeń mieszkaniowych. Urządzenie nie jest przeznaczone do celów handlowych. Każde inne zastosowanie będzie uznane za niewłaściwe a więc niebezpieczne. Producent nie ponosi odpowiedzialności za jakiegokolwiek szkody, wynikające z niewłaściwego i nadmiernego użycia urządzenia. Nieprzestrzeganie informacji dotyczących bezpieczeństwa unieważnia zobowiązania gwarancyjne producenta.
- Nie wolno wychodzić z domu, gdy urządzenie jest włączone: upewnijcie się, że przełącznik jest w pozycji „wyłączone”. Zawsze należy pamiętać o tym i wyjąć wtyczkę z gniazdka prądu elektrycznego
- Łatwopalne elementy - takie jak np. meble, poduszki, pościel, bielizna, papier, ubrania, zasłony itp. należy trzymać w odległości co najmniej 100 cm od grzejnika konwektorowego.
- Nie należy korzystać z urządzenia w miejscu, gdzie magazynuje się albo używa się z łatwopalnych substancji. Nie należy korzystać z urządzenia w strefach o atmosferze palnej (jak np.: w pobliżu łatwopalnych gazów lub aerozoli) - istnieje wysokie ryzyko pożaru i wybuchu!
- Nie należy wkładać ani nie pozwalać żeby obce przedmioty trafiły do otworów wentylacyjnych (zarówno do wlotowych jak i do wylotowych), gdyż może to spowodować porażenie prądem, pożar lub zniszczenie konwektora.
- Urządzenie nie nadaje się do celów hodowlanych, przeznaczone jest jedynie do użytku domowego!
- Nie blokować przepływu powietrza na wewnątrz oraz na zewnątrz zasłaniając go rzeczami w odległości co najmniej 100 cm od konwektora z tyłu oraz z przodu.
- Najczęstszą przyczyną przegrzewania urządzenia jest nagromadzenie kłaczek i pyłu wewnątrz korpusu. Należy regularnie czyścić otwory wentylacyjne odkurzaczem. Przed tym jak to zrobić, konieczne jest odłączenie urządzenia od sieci.
- Nie wolno dotykać urządzenia mokrymi ani wilgotnymi rękoma - istnieje zagrożenie życia!
- Gniazdko musi być dostępne w każdej chwili, tak, żeby w razie konieczności można było jak

najszybciej wyjąć wtyczkę! Nigdy nie wolno ciągnąć za przewód zasilający lub same urządzenie w celu odłączenia od zasilania.

- Zanotować sobie! Powietrze wylatujące z konwektora w czasie pracy się nagrzewa (do temperatury ponad 100°C).
- Nie pokrywać urządzenia. Może to doprowadzić do przegrzania nagrzewnicy.
- Jeśli urządzenie nie jest w porządku lub funkcjonuje nieprawidłowo, należy je wyłączyć, ale nie podejmować prób naprawy go. Na przedmiot jakiegoś byle remontu należy zwrócić się za pomocą do autoryzowanego centrum serwisowego obsługi posprzedażowej. Tylko w takim centrum serwisowym uszkodzona część zostanie zamieniona na oryginalną część z zapasową. Nieprzestrzeganie tego warunku spowoduje zagrożenie bezpieczeństwu urządzenia.
- W razie podjęcia decyzji zaprzestania korzystania z urządzenia tego typu, zalecamy, aby doprowadzić je do stanu uniemożliwiającego użytkowanie przecinając po odłączeniu od sieci przewód zasilający. Zaleca się również, aby zabezpieczyć się przed wszystkimi zagrożeniami, związanymi z tym urządzeniem, zwłaszcza co do dzieci, które mogłyby wykorzystać z amortyzowanego urządzenia do gry.
- Nigdy nie zostawiać urządzenia włączonym bez potrzeby. Najlepiej odłączyć je od sieci zasilania, gdy nie będzie z niego korzystano przez długi czas.
- **Uwaga:** Nie wolno używać urządzenia łącznie z programatorem, licznikiem lub innym urządzeniem do automatycznego włączenia go, gdy urządzenie zostało pokryte lub z powodu nieprawidłowego usytuowania go istnieje ryzyko pożaru.
- Kabel zasilający należy ułożyć tak, aby nie zakłócać ruchu w pobliżu oraz by nikt nie deptał po nim! Stosować wyłącznie atestowane przedłużacze, które są właściwe dla danego produktu, tj. posiadają Znak zgodności!
- Nigdy nie przesuwaj urządzenia ciągnąc za przewód i nie używaj przewodu do przenoszenia przedmiotów!
- Nie wolno zgniatać przewodu, ciągnąć go po ostrych krawędziach, stawiać go na gorącej płycie lub niedaleko ognia!
- **UWAGA:** Aby zmniejszyć ryzyko pożaru, należy trzymać tekstylia, zasłony lub inne materiały łatwopalne w odległości co najmniej 1 m od wylotu powietrza.
- Urządzenia nie należy używać w bezpośrednim sąsiedztwie wanny, prysznica lub basenu;
- Urządzenia nie należy używać, jeżeli zostało upuszczone;
- Urządzenia nie należy używać, jeżeli widoczne są jakiegokolwiek oznaki uszkodzenia urządzenia;

- Urządzenie powinno być używane na poziomej, stabilnej powierzchni lub przymocowane do ściany, w zależności od przypadku.
- **UWAGA:** Urządzenia nie należy używać w małych pomieszczeniach, w których przebywają osoby, które nie są w stanie samodzielnie opuścić pomieszczenia, chyba że zapewniony jest stały nadzór.

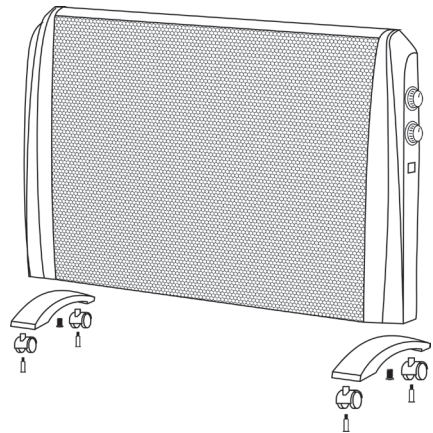
## OPAKOWANIE

- Po rozpakowaniu urządzenia należy sprawdzić, czy podczas transportowania nie zostało ono uszkodzone oraz czy jest w pełni wyposażone! W przypadku stwierdzenia uszkodzeń lub niekompletne dostawy, należy skontaktować się z autoryzowanym sprzedawcą!
- Nie wyrzucać oryginalnego opakowania! Może ono być używane do przechowywania oraz do transportu, w celu uniknięcia uszkodzenia podczas transportowania urządzenia!
- Usuwanie materiałów opakowaniowych należy dokonać w odpowiedni sposób! Zapobiegać jakiegokolwiek możliwych sytuacji, gdy dzieci grałyby z plastikowymi workami!
- Nigdy nie używać grzejnika w pobliżu wanny, prysznica, zlewu lub basenu do pływania!

Serdecznie dziękujemy za wybranie konwektora elektrycznego CN 221 MC. Jest to wyrób zapewniający ogrzewanie w zimie w zależności od tego, ile Państwo potrzebujecie aby osiągnąć komfortowego ciepła w ogrzewanym pomieszczeniu. Przy odpowiednim użytkowaniu i konserwacji, jak jest opisano w niniejszej instrukcji, urządzenie zapewni Państwu wiele lat swej użytecznej pracy.


## ZAMONTOWANIE I UŻYTKOWANIE URZĄDZENIA

Przed tym jak poraz pierwszy włączyć konwektor panelowy Prosimy sprawdzić, czy dwa komplety kółek zostały prawidłowo przymocowane do każdego nośnika urządzenia za pomocą odpowiednich gwintów.



Umieścić grzejnik konwektorowy w prawidłowej pozycji roboczej przed pierwszym podłączeniem go do sieci zasilającej.

- Urządzenie wyposażone jest w przełącznik wyboru mocy ogrzewania. "I" do 1200W, "II" do 2000W. Łączna maksymalna moc przy włączeniu obydwu stopni stanowi 2000W
- Urządzenie jest wyposażone w regulator temperatury reagujący na temperaturę otoczenia. Można kręcić pokrętkę regulatora temperatury do osiągnięcia żądanej temperatury powietrza otoczenia (przeźreń ogrzewanego pomieszczenia powinna odpowiadać mocy urządzenia, w razie niemożliwości osiągnięcia żądanej temperatury niezbędne jest zastosowanie dodatkowego urządzenia ogrzewczego) w pomieszczeniu. Można pokręcić regulator temperatury w kierunku zgodnym z ruchem wskazówek zegara do maksymalnej wartości i po osiągnięciu żądanej temperatury pokojowej przekręcić regulator temperatury powoli w kierunku odwrotnym do ruchu wskazówek zegara, aż usłyszeć jak regulator temperatury „prztyknie” Po tym poprzez włączenie i wyłączanie urządzenia automatycznie będzie utrzymywało temperaturę w pomieszczeniu na ustawionym poziomie.
- Urządzenie posiada wbudowaną funkcję przeciw zamarzaniu (anti-frost). Decydując korzystać z urządzenia w pomieszczeniu, gdzie konieczne jest utrzymywanie minimalnej temperatury (ogrody zimowe, piwnice, strychy), urządzenie należy przełączyć na pożądany stopień ogrzewania (stopień I lub stopień II, albo oba stopnia), regulator temperatury pokręcić w kierunku odwrotnym do ruchu wskazówek zegara do pozycji indykacji oznaczoną najmniejszym krążkiem. Ustawione w taki sposób urządzenie zapewnia podtrzymywanie temperatury otoczenia w zakresie 5±2°C - tj. będzie się ono okresowo włączało i wyłączało, podtrzymując zadany poziom komfortu cieplnego w pomieszczeniu.
- Możliwe stopnie pokazane są indykatywnie

 **Uwaga:** *Urządzenie pokazuje temperaturę w pobliżu czujnika i nie jest środkiem do dokładnego pomiaru temperatury otoczenia.*

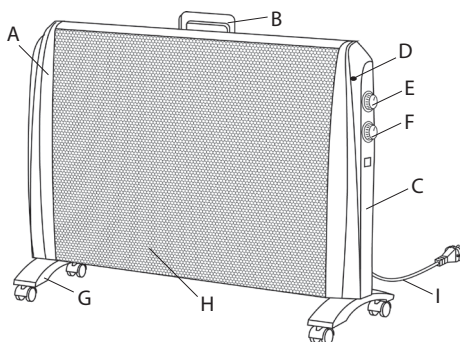
### PRZENOSZENIE URZĄDZENIA:

Jeśli niezbędne jest przesunąć urządzenie do innego miejsca, najpierw należy je wyłączyć korzystając z przełącznika, potem odłączyć kabel zasilający od gniazdka i tylko wtedy trzymając obiema rękami za uchwyty przesunąć do nowej lokalizacji. Przenosić grzejnik wolno dopiero po tym jak grzejnik konwektorowy ostygł (jest zimny). Przenoszenie gorącego urządzenia może doprowadzić do niepożądanych skutków dla konsumentów, takich jak poparzenie lub upadek konwektora na łatwopalne

materiały podczas przemieszczenia go.

### OPIS URZĄDZENIA

- Lewa strona grzejnika konwektorowego
- Uchwyt
- Prawa strona grzejnika konwektorowego
- Lampka ostrzegawcza
- Klucz ustawienia stopni ogrzewania
- Regulator temperatury
- Podstawa urządzenia
- Kratka ochronna
- Przewód zasilający



### ZINTEGROWANY PRZEŁĄCZNIK NA WYPADEK PRZEWRÓCENIA SIĘ (SPADKU) KALORYFERA

Grzejnik konwektorowy posiada wbudowany wyłącznik przewróceniowy - w wypadku przewrócenia się urządzenia zasilanie zostanie wyłączone. Należy zostawić kaloryfer na jakiś czas, aby się ochłodził, a następnie wyprostować go ponownie. Normalny tryb działania urządzenia zostanie odzyskany.

### AUTOMATYCZNY WYŁĄCZNIK BEZPIECZEŃSTWA

Grzejnik konwektorowy wyposażony jest we wbudowane w urządzenie (automatyczny wyłącznik termiczny), który funkcjonować w trybie automatycznego wyłączania w przypadku przegrzania i ponownego wznowienia ogrzewania, gdy temperatura grzejnika spadnie do normalnego poziomu.

### **Ważne!**

*Przy pierwszym użyciu grzejnika konwektorowego możliwe jest pojawienie się specyficznego nieprzyjemnego zapachu. Jest to normalne zjawisko w początkowym okresie funkcjonowania urządzenia. W takim przypadku należy upewnić się, że kaloryfer umieszczono w dobrze wentylowanym pomieszczeniu i poczekać, dopóki zapach zniknie. W trakcie nagrzewania się kaloryfera można też usłyszeć specyficzny hałas przypominający stukot. Jest to normalnie, grzejnik pracuje w normalnym trybie. Jak tylko grzejnik konwektorowy się nagrzeje, ten hałas zniknie.*

## CZYSZCZENIE

- Pamiętaj, aby najpierw wyłączyć urządzenie poprzez przełącznik i za tym wyjąć wtyczkę z gniazdka. Przed rozpoczęciem czyszczenia konwektora należy zostawić go ostudzić się, odłączony od sieci.
- Obudowę należy czyścić wilgotną szmatką, odkurzaczem lub szczotką.
- Nie wolno zanurzać urządzenia w wodzie - zagrożenie życia: porażenie prądem!
- Nigdy nie używać benzyny, rozpuszczalników ani żrących ściernych środków czyszczących, które mogą uszkodzić powłokę sprzętu.

## MAGAZYNOWANIE

- Przed tym jak schować konwektor po użyciu go, zostawić odłączony od sieci sprzęt ostudzić się.
- Jeśli konwektor nie będzie używany przez pewien czas, do przechowywania go używać oryginalnego opakowania. Produkt należy chronić przed nadmiernym zakurzeniem i zbrudnieniem przechowując go w oryginalnym opakowaniu.
- Nigdy nie przechowywać do opakowania gorącego urządzenia!
- Produkt powinien być przechowywany w suchym miejscu i chroniony przed bezpośrednim działaniem promieni słonecznych.
- Absolutny zakaz przechowywania go w miejscach wilgotnych lub mokrych.

## ZESTAW W JEDNYM OPAKOWANIU:

Konwektor elektryczny	1 szt.
Nóżki	2 szt. (lewa i prawa)
Instrukcja obsługi	1 szt.
Karta gwarancyjna	1 szt.

## PARAMETRY TECHNICZNE URZĄDZENIA:

Model:	Deklarowana moc	Deklarowane napięcia zasilające	Deklarowana częstotliwość prądu elektrycznego
CN 221 MC	2000W	220-240V~	50Hz



### Wtyczne dotyczące ochrony środowiska

Stare urządzenia elektryczne zawierają cenne materiały, a zatem nie należy wyrzucać je razem z odpadami z gospodarstwa domowego! Prosimy Państwa, aby pomóc własnym aktywnym wkładem, byśmy zachowali zasoby naturalne i ochronili środowisko. Urządzenia te należy przekazać do punktu zbiórki w celu poddania recyklingowi (gdzie takie istnieją).

**TABELA 2 WYMAGI W ZAKRESIE INFORMACJI DOTYCZĄCE ELEKTRYCZNYCH MIEJSCOWYCH OGRZEWACZY POMIESZCZEŃ**

Identyfikator(-y) modelu: CN 221 MC/HP1001-20

Parametr	Oznaczenie	Wartość1.	Jednostka	Parametr	Jednostka
Moc cieplna				Sposób doprowadzania ciepła wyłącznie w przypadku elektrycznych akumulacyjnych miejscowych ogrzewaczy pomieszczeń (należy wybrać jedną opcję)	
Nominalna moc cieplna	P <sub>nom</sub>	2.0	kW	ręczny regulator doprowadzania ciepła z wbudowanym termostatem	[nie]
Minimalna moc cieplna (orientacyjna)	P <sub>min</sub>	1.260	kW	ręczny regulator doprowadzania ciepła z pomiarem temperatury w pomieszczeniu lub na zewnątrz	[nie]
Maksymalna stała moc cieplna	P <sub>max,C</sub>	2.050	kW	elektroniczny regulator doprowadzania ciepła z pomiarem temperatury w pomieszczeniu lub na zewnątrz	[nie]
Zużycie energii elektrycznej na potrzeby własne				moc cieplna regulowana wentylatorem	[nie]
Przy nominalnej mocy cieplnej	e <sub>lmax</sub>	N/A	kW	<b>Rodzaj mocy cieplnej/regulacja temperatury w pomieszczeniu (należy wybrać jedną opcję)</b>	
Przy nominalnej mocy cieplnej	e <sub>lmin</sub>	N/A	kW	jednostopniowa moc cieplna bez regulacji temperatury w pomieszczeniu	[nie]
W trybie czuwania	e <sub>l SB</sub>	N/A	kW	co najmniej dwa ręczne stopnie bez regulacji temperatury w pomieszczeniu	[nie]
				mechaniczna regulacja temperatury w pomieszczeniu za pomocą termostatu	[tak]
				elektroniczna regulacja temperatury w pomieszczeniu	[nie]
				elektroniczna regulacja temperatury w pomieszczeniu ze sterownikiem dobowym	[nie]
				elektroniczna regulacja temperatury w pomieszczeniu ze sterownikiem tygodniowym	[nie]
				<b>Inne opcje regulacji (można wybrać kilka)</b>	
				regulacja temperatury w pomieszczeniu z wykrywaniem obecności	[nie]
				regulacja temperatury w pomieszczeniu z wykrywaniem otwartego okna	[nie]
				z regulacją na odległość	[nie]
				z adaptacyjną regulacją startu	[nie]
				z ograniczeniem czasu pracy	[nie]
				z czujnikiem ciepła promieniowania	[nie]

TESY Ltd - Head office  
 1 166 Sofia, Sofia Park,  
 Building 16V, Office 2.1. 2nd Floor  
 PHONE: +359 2 902 6666,  
 FAX: +359 2 902 6660,  
 office@tesy.com



## ПАЖЊА:

- Прочитајте ова упутства пре употребе овог уређаја и чувајте ова упутства за будућу употребу. При промени власника, инструкције за рад се морају пренети заједно са уређајем!

- **ПАЖЊА:** Дјеса која су мање од три године треба се држати на удаљености, осим ако нису под сталним надзором. Деца која имају 3 године до 8 година могу да користе само дугме укљ./икљ.јединице, под условом да је уређај инсталиран и спреман за нормалан рад и она су била уочена и праћена о упутствима о његовом коришћењу на безбедан начин и да занју да то може бити опасно.

Деца која имају 3 године до 8 година не би требало да укључи уређај у утичницу, да га подесују да га очисте или да обављају корисничко одржавање.

Ова јединица може да се користи од стране деце која имају осам година и од стране лица са смањеним физичким, сензорним или менталним способностима, или недостатком искуства и знања, осим ако су под надзором или инструктована за безбедно коришћење уређаја и разумевају опасности. Деца не би требало да се играју са апаратом. Чишћење и корисничко одржавање не треба се обављати од стране деце без надзором.

- Овај уређај није намењен за употребу од стране особа (укључујући децу) са смањеним физичким, сензорним или менталним способностима или недостатком искуства и знања, осим ако нису под надзором или са упутствима о употреби уређаја од стране особе одговорне за њихову безбедност.

Децу треба надzirати како би се осигурало да се не играју са уређајем.

- **ПАЖЊА:** Неки делови овог уређаја могу постати веома врући и узроковати опекотине. Тамо где су присутна деца и осетљиве особе се треба посветити посебна пажња.



- **УПОЗОРЕЊЕ:** Да би се избегло прегревање, не покривајте уређај!
- Уређај не треба да буде директно испод кутије утичнице!
- Ако је кабл за напајање оштећен, произвођач, његов сервис или слично квалификована особа мора га заменити како би се избегла опасност.
- Пре укључивања уређаја - уверите се да указани напон на типској плочици одговара напону који се

пружа у Вашем дому.

- Овај апарат се мора користити само на сврху за коју је предвиђен, односно за загревање простора за живот. Уређај није намењен за трговачке сврхе. Било која друга употреба може се сматрати некоректном и стога опасном. Произвођач не може бити одговоран за штету насталу услед неправилне и неразумне употребе. Непоштовање информације о безбедности ће поништити узету гаранцију уређаја!
- Не излазите из Ваше куће док је уређај укључен: проверите да ли је двоструки прекидач у позицији OFF(0) (искључен). Увек уклањајте утикач апарата из утичнице.
- Држите запаљиве предмете као што су намештај, јастуци, постељина, папир, одећа, завесе, итд на растојању од најмање 100 цм од конвекторне пећи.
- Немојте користити уређај у просторијама где се употребљавају или се држе запаљиви материјали. Немојте користити уређај у подручјима са запаљивом атмосфером (нпр. у близини запаљивих гасова или аеросола) - постоји екстремна опасност од експлозије и пожара!
- Не убаците стране предмете или дозволити да падне у вентилацијским отворима (долазни или одлазни), јер ће то проузроковати електрични удар, пожар или оштећење у конвектору.
- Уређај није погодан за гајење животиња, а исти је намењен само за кућну употребу!
- Држите улаз и излаз ваздушног протока слободни од предмета: најмање на растојању од 1 м испред и 1 м иза конвектора.
- Најчешћи узрок прегревања је акумулација тканине и прашине у уређају. Редовно усавајте вентилацијске отворе, као што је претходно потребно искључити апарат из електричне мреже.
- Никада не додирујте уређај мокрым или влажним рукама – постоји опасност по живот!
- Утичница мора бити доступна у сваком тренутку да би могло да се утикач ослободи када је то потребно што је могуће брже! Никада не вуците кабл за напајање или сам апарат за искључења из мреже.
- Обратите пажњу! Излазни ваздух се загрева током рада (до више од 100°C).
- Немојте покривати апарат. Ако је он покривен постоји опасност од прегревања и повара.
- Ако уређај није у реду или функционира неисправно, искључите га и немојте га поправљајте. О свим поправкама обратите се сервисном центру за после продајну услугу. Само



тамо ће заменити покварени део са оригиналним резервним. непоштовање овог услова ће угрозити безбедност апарата.

- Ако одлучите да престанете да користите уређај овог типа, препоручљиво је да буде неупотребљив, и исећи кабл након што искључите мрежу. Такође се препоручује све опасности повезане са апаратом да буду заштићене, посебно за децу који би могли да користе амортизирани апарат (уређај) за игру.
- Никада не остављајте апарат укључен непотребно. Искључите га из електричне мреже када нећете га користити дужи време.
- **Пажња:** Немојте користити овај уређај са програматором, тајмером или други уређајима који га аутоматски укључују, јер ако је покривен или погрешно постављен постоји опасност од пожара.
- Прикључите кабл за напајање, тако да не омета кретање људи и да не буде наступљан! Употребљавајте само одобрене продужне каблове који су одговарајући за уређај, односно да имају знак сагласности!
- Никада не премештајте апарат повлачењем кабла и не користите кабл за ношење предмета!
- Немојте савијати кабл и не повуците га преко оштре ивице и на стављајте га на вруће плоче или на отворени пламен!
- Никада немојте користити овај уређај у непосредној близини купаонице, туша или базена!
- **ПАЖЊА:** Да бисте смањили ризик од пожара, држите текстил, завесе или други запаљиви материјал на удаљености од најмање 1 метар од излаза ваздуха.
- Не користите овај уређај у непосредној близини каде, туша или базена.
- Немојте користити овај уређај ако је пао.
- Немојте користити ако постоје видљиви знаци оштећења на уређају.
- Користите овај уређај на хоризонталној и стабилној површини или га по потреби причврстите на зид.
- **ПАЖЊА:** Не икористите уређај у малим просторијама у којима се налазе особе које не могу саме да напусте просторију, осим ако је обезбеђен стални надзор.

## ПАКОВАЊЕ

- Када распакујете уређај, проверите да ли за време превоза није увређен и потпуно опремљен! У случају да се утврди да је оштећен или непотпуна испорука, обратите се Вашем овлашћеном продавцу!
- Не бацајте оригиналну кутију! Она би могла се користити за складиштење и транспорт да се избегне штета од транспорта!

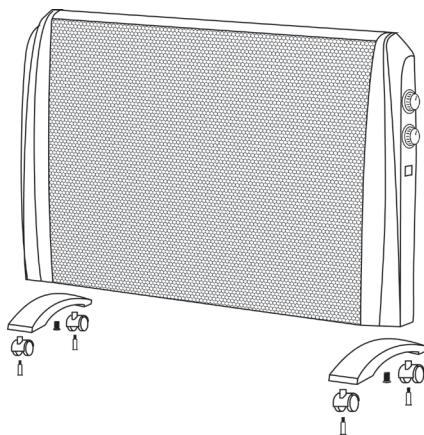
- Располагање амбалаже мора бити на одговарајући начин! Деца се треба чувати да су под надзором и да се не играју са пластичним кесама!

Хвала што сте одабрали конвектор CN 221 MC. Ово је уређај који обезбеђује грејање у зимском периоду колико је потребно да се постигне удобна топлота у загрејаној просторији. Уз правилну употребу и бриге као што је описано у овом упутству, уређај ће обезбедити дугогодишњи корисни рад.

## ИНСТАЛАЦИЈА И КОРИШЋЕЊЕ АПАРАТА

Пре него што укључите Ваш панелни конвектор

Молим, проверите да ли су оба комплекта точкова правилно фиксирана на сваком носачу са одговарајућим шрафовима.




Поставите уређај на правилен радни положај и га укључите на електричну вања у мрежу напајања

- Уређај је опремљен са терморегулатором осетљив на собну температуру. Можете да ротирасте дугме терморегулатора док се постигне жељена температура (соба, која се загрева мора бити у складу са снагом уређаја, а кад је то немогуће за достизање жељене температуре се захтева употреба додатног грејаћег апарата) у соби. Можете да окренете терморегулатор у смеру казаљке на сату на максималну вредност (HL) када се достигне жељена собна температура, терморегулатор морате полако да ротирасте у супротном смеру казаљке на сату док не чујете терморегулатор да „кликне“. Онда ће уређај одржавати температуру ваздуха у просторији до предвиђеног нивоа укључивањем и искључивањем аутоматски.
- уређај има уграђену функцију против смрзавања (anti-frost). Када одлучите да користите апарат у просторији у којој је неопходно да се одржи

минимална температура (стакленици, подруми, поткровља) апарат се укључује на жељени ниво грејања (I степен или II степен или обоја), терморегулатор се ротира у супротном на казалици на сат смеру до достижања најнањег круга индикације. У овој позицији уређај обезбеђује одржавање температуре у опсегу  $5\pm 2^{\circ}\text{C}$ . -т.е. он ће се периодично укључивати и искључивати, одржавајући наведени фиксни ниво термичког комфора у просторији.

- Могући степени су приказани индикативно.

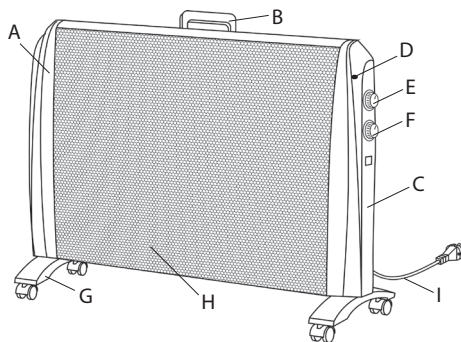
 **Напомена:** Уређај приказује температуру око локације сензора и није средство за тачно мерење температуре околине.

### ПРЕМешТАЊЕ УРЕЂАЈА:

Ако је премештање потребно искључите прекидачем, уклоните утикач из утичнице и са обим рукама померите уређај на нову локацију, а измештање треба се спровести кад је уређај хладан. Померање топлог апарата може да доведе до нежељених последица по потрошача, као што су спаљивање или продора запаљивих материјала на конвектор током премештања.

### ОПИС УРЕЂАЈА

- Лева страна конвектора
- Дршка
- Десна страна конвектора
- Сигнална лампа
- Прекидач за подешавање степени загрејања
- Терморегулатор
- Основа уређаја
- Предпазна решетка
- Кабел за напајање



### УГРАЂЕН ПРЕКИДАЧ ЗА ПРЕОКРЕТАЊЕ (ПАДАЊЕ)

Конвектора има уграђен прекидач за преокретање, у случају да се исти преокрене, електрично напајање ће бити прекинута. Оставите га мало времена да се охлади, а затим исправите га поново. Он ће обновити свој нормалан рад.

### АУТОМАТСКО ЗАШТИТНО ИСКЉУЧИВАЊЕ

У конвектору има и уграђен уређај (за поновно покретање термопрекидач), који аутоматски се активира и искључује само у случају прегревања и ће опет започети свој рад кад се температура уређаја охлади.

 **Важно!**

*Могуће је током првог укључивања уређаја да осетите мирис. То је нормално за почетни период рада. Уверите се да се конвектор налази у добро проветреном простору и оставите га да ради док мирис нестане. Можете чути и одређену буку налик на пуцкање док се конвектор загрева. То је нормално и конвектор ради у нормалном режиму. Чим конвектор загреје бука нестане.*

### ЧИШЋЕЊЕ

- Обавезно прво искључите уређај из зидне утичнице. Пре чишћења конвектора, оставите га да се охлади искључивши га из контакта.
- Очистите корпус са влажном крпом, усисивачем или четком.
- Никада немојте потапати апарат у воду – постоји опасност по живота од струјног удара!
- Никада немојте користити бензин, разређивач или груба абразивна средства за чишћење, јер ће она оштетити површину апарата.

### СКЛАДИШТЕЊЕ

- Пре складиштење конвектора, оставите га да се охлади искључивши га из контакта.
- Користите оригинално паковање за складиштење конвектора ако исти неће бити коришћен за неко време. Овај уређај је заштићен од прекомерне прашине и прљавштине, ако се враћа у свом оригиналном паковању.
- Никада не враћајте топли апарат у свом паковању!
- Овај уређај треба се чувати на сувом и заштићеном од директне сунчеве светлости месту.
- Изричито се забрањује његово складиштење у влажним или мокрим собама.

**ОПРЕМА У ЈЕДНОМ ПАКЕТУ:**

Конвектор	1 комад
Ноге	2 комада (лева и десна)
Инструкција	1 комад
Гарантни лист	1 комад

**ТЕХНИЧКИ ПАРАМЕТРИ УРЕЂАЈА:**

Модел	Објављена снага	Објављени напон напајања	Објављена фреквенција
CN 221 MC	2000W	220-240V~	50Hz

**Упуте за заштиту природне околине**

Стари електрични уређаји садрже вредне материјале и стога не би требало их одлагати с комуналним смећем! Молим Вас да сарађујете са својим активним доприносом за заштиту природне околине и пренети уређај организованим центрима за куповање (ако текви постоје).

## ВАЖЛИВІ ЗАСТЕРЕЖЕННЯ ТА ІНСТРУКЦІЇ З ТЕХНІКИ БЕЗПЕКИ:



### ОБЕРЕЖНО:

- Прочитайте цю інструкцію перед використанням цього приладу і дотримуйтесь вказівок інструкції при його майбутньому використанні. В разі зміни власника, інструкція повинна передаватися разом з приладом.

- ОБЕРЕЖНО:** Дітей, віком до 3 років, тримайте на віддалі від пристрою, крім випадків, коли вони знаходяться під постійним наглядом.

Діти, віком від 3 років до 8 років, можуть лише використовувати кнопку ввімкнути/вимкнути пристрою, при умові, що пристрій встановлений і готовий для нормальної роботи, під наглядом дорослих та інструкцією, щодо використання приладу безпечним чином, і розуміючи, що може бути небезпечно.

Діти, віком від 3 років до 8 років, не повинні вмикати прилад у розетку, налаштовувати прилад, виконувати його очищення або сервісну підтримку користувачів.

Цей прилад може використовуватися дітьми старшими 8 років та особами з обмеженими фізичними, сенсорними або розумовими здібностями, або з недостатнім досвідом та знаннями, якщо вони спостерігали або були проінструктовані щодо безпечного використання приладу і розуміють небезпеки. Діти не повинні гратися з приладом. Очищення або сервісна підтримка користувачів не повинні проводитись дітьми без нагляду дорослих.

- Цей прилад не призначений для використання особами (включаючи дітей) з обмеженими фізичними, сенсорними або розумовими здібностями або з недоліком досвіду і знань, якщо тільки вони не знаходяться під наглядом або не проінструктовані відносно використання приладу особою, відповідальною за їх безпеку.

Діти повинні знаходитися під наглядом для гарантування того, що вони не грають з приладом.

- ОБЕРЕЖНО:** Деякі частини цього виробу можуть стати дуже гарячими ти призвести до опіків. Якщо є присутні діти і вразливі люди, необхідно приділяти особливу увагу.



- УВАГА:** щоб уникнути перегріву, не накривайте прилад!
- Прилад не повинен бути розміщений безпосередньо під штепсельним ящиком (розеткою)!
- Якщо шнур живлення пошкоджений, він повинен

бути замінений виробником, його сервісним агентом або кваліфікованими особами, щоб уникнути небезпеки.

- Перш ніж включити прилад – переконайтеся, що зазначена напруга на типовій табличці відповідає напрузі, що подається у Ваш будинок.
- Цей пристрій повинен використовуватися тільки за призначенням, для якого був передбачений: для обігріву побутових приміщень. Прилад не призначений для використання в комерційних цілях. Будь яке інше використання вважається неправильним і тому небезпечним. Виробник не несе відповідальності за пошкодження, що випливають з неправильного і необгрунтованого використання приладу. Недотримання інформаційної безпеки робить недійсною домовлену гарантію на прилад!
- Не виходьте з дому, залишивши прилад включеним. Перед виходом переконайтеся, що вимикач знаходиться у вимкненому положенні. Завжди виймайте вилку приладу з розетки.
- Тримайте легкозаймисті предмети, такі як меблі, подушки, постільна білизна, папір, одяг, штори і т. д. на відстані принаймні 100 см від конвекторного обігрівача.
- Не використовуйте прилад в зонах, де використовуються чи зберігаються вогнебезпечні речовини. Не використовуйте прилад в зонах де є легкозаймисті атмосфери (наприклад: в безпосередній близькості від легкозаймистих газів або аерозолів) - існує дуже велика небезпека вибуху і пожежі!
- Не вставляйте і запобігайте потраплянню сторонніх тіл в отвори для вентиляції (вхідні або вихідні) тому, що це може призвести до ураження електричним струмом, пожежі або до інших ушкоджень конвектора.
- Прилад не підходить для використання для догляду за тваринами, а призначений тільки для домашнього використання!
- Тримайте вхід і вихід повітряного потоку вільними від сторонніх предметів: принаймні на відстані 1 м перед і 1 м за конвектором.
- Найбільш поширеною причиною перегрівання є скупчення бруду і пилу в приладі. Регулярно чистіть пилососом вентиляційні отвори, а перед цим обов'язково вимкніть прилад з електричної мережі.
- Ніколи не чіпайте прилад мокрими або вологими руками - існує небезпека для життя!
- Розетка повинна бути доступна в будь-який час для того, щоб можна було при необхідності вийняти вилку якомога швидше! Ніколи не тягніть за шнур живлення при переміщенні або вимкненні приладу з мережі.
- Зверніть увагу! Відпрацьоване повітря нагрівається під час роботи (до вище, ніж 100°C).
- Не накривайте прилад. Якщо його покрити, існує

небезпека перегріву й пожежі.

- Якщо прилад не в порядку або функціонує неправильно, вимкніть його і не ремонтуйте його самі. Для будь-яких ремонтних робіт звертайтеся за допомогою до Сервісного центру з після продажного гарантійного обслуговування. Тільки там можуть замінити пошкоджені частини оригінальними запасними частинами. Недотримання цієї умови порушує безпеку приладу.
- Якщо ви вирішили перестати використовувати прилад цього типу, рекомендується зробити його непридатним для використання, шляхом відрізання шнура живлення, після його вимкнення з мережі. Рекомендується забезпечити всі можливі безпеки, пов'язані з приладом, особливо маючи на увазі дітей, які могли б використовувати амортизований прилад (пристрій) для гри.
- Ніколи не залишайте прилад увімкненим без нагляду та коли це не потрібно. Вимикайте його з електромережі, коли ви його не використовуєте протягом тривалого часу.
- **Увага:** Не використовуйте цей прилад у поєднанні з програматором, лічильником або іншим приладом, який автоматично може його вмикнути, тому, що якщо прилад був покритий або неправильно розміщений, при його ненавмисному вмиканні існує небезпека пожежі.
- Вставте шнур живлення, так щоб не заважав руху людей і щоб на нього не наступати! Використовуйте тільки затверджені подовжувачі, які підходять для пристрою, тобто мають знак відповідності!
- Ніколи не переставляйте прилад, тягнучи його за шнур, а також не використовуйте шнур для перенесення предметів!
- Не перегинайте шнур і не перетягуйте його через гострі краї і не доторкайтесь ним до гарячих плит та не наближайте його до відкритого вогню!
- Ніколи не використовуйте цей прилад в безпосередній близькості до ванної або душевої кімнати, чи басейну!
- **ОБЕРЕЖНО:** Щоб зменшити ризик пожежі, тримайте текстиль, штори чи інші легкозаймисті матеріали на відстані не менше 1 м від виходу повітря.
- Не використовуйте цей прилад у безпосередній близькості від ванни, душу чи басейну;
- Не використовуйте цей прилад, якщо він був упущений;
- Не використовуйте, якщо на приладі є видимі ознаки пошкодження;
- Використовуйте цей прилад на горизонтальній та стійкій поверхні або закріпіть його на стіні, якщо це необхідно.
- **ОБЕРЕЖНО:** Не використовуйте прилад у невеликих кімнатах, де знаходяться люди, які

не можуть вийти з кімнати самостійно, якщо не забезпечено постійний нагляд.

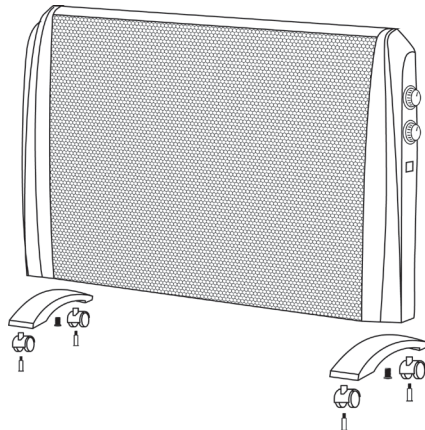
## УПАКОВКА

- Після розпакування приладу, перевірте, чи при транспортуванні прилад не був пошкоджений і чи повністю укомплектований! У разі, якщо встановлено пошкодження або неповне укомплектування приладу, зверніться до Вашого уповноваженого продавця!
- Не викидайте оригінальну коробку! Вона може бути використана для зберігання і транспортування приладу, щоб уникнути пошкоджень під час перевезення!
- Викидання пакувальних матеріалів проводиться належним чином! Діти не повинні гратися поліетиленовими мішками!

Дякуємо, що Ви вибрали конвектор CN 221 MC. Цей прилад забезпечує опалення в зимовий період в залежності від потреб досягнення комфортного тепла в опалювальному приміщенні. При правильній експлуатації і догляді, як описано в цій інструкції, прилад забезпечить Вам багато років корисного функціонування.

## УСТАНОВКА І ВИКОРИСТАННЯ ПРИЛАДУ

Перед вмиканням Вашого конвектора: Будь ласка, перевірте чи обидва комплекти колісчат правильно фіксовані до кожного носія приладу відповідними гвинтами.




Поставте конвектор у правильне робоче положення, перш ніж включити його в електричну мережу

- Уреда е окомплектован с ключ за избор на Прилад обладнаний перемикачем для вибору потужності. „I” - для 1200 Вт, „II” - для 2000 Вт. Загальна максимальна потужність, коли вмикаються обидві ступені – 2000 Вт.
- Прилад оснащений терморегулятором (термостатом), чутливим до температури повітря. Ви можете повернути ручку терморегулятора (Thermostat knob) на бажану температуру повітря

(приміщення, що опалюється, повинне відповідати потужності приладу, якщо не можливо досягти бажаної температури в приміщенні, потрібно використовувати додатковий обігрівач). Ви можете повернути термостат в напрямку за годинниковою стрілкою до максимального значення, а після досягнення необхідної температури, поверніть термостат повільно в напрямку проти годинникової стрілки до тих пір, поки не почуєте „кляцання” термостату. Після цього прилад буде підтримувати температуру в приміщенні на заданому рівні, шляхом автоматичного включення і виключення.

- прилад має вбудовану функцію захисту від замерзання (anti-frost). Коли ви вирішите використовувати прилад в приміщенні, де потрібно підтримувати мінімальну температуру (зимові сади, підвали, горища) прилад налаштовується на бажаний рівень нагріву (ступінь I або ступінь II, або обидва), шляхом повертання терморегулятора проти годинникової стрілки до досягнення до досягнення найменшої круглої помітки індикації. В цьому положенні прилад гарантує підтримання температури повітря в приміщенні в діапазоні  $5 \pm 2^\circ\text{C}$  – тобто періодично він буде вмикатися і вимикатися, підтримуючи встановлений фіксований рівень температурного комфорту в приміщенні.
- Можливі ступені вказані індикативно.

 **Примітка:** Пристрій відображає температуру навколо місця розташування датчика і не є засобом точного вимірювання температури навколишнього середовища.

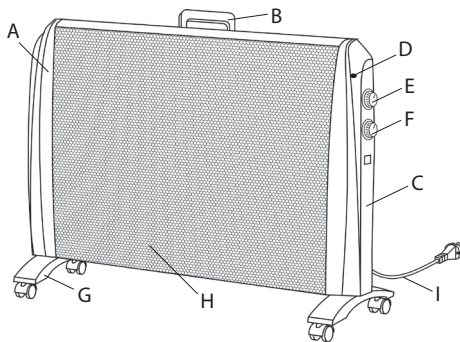
## ПЕРЕМІЩЕННЯ ПРИЛАДУ:

Якщо потрібно перемістити прилад, вимкніть живлення за допомогою обох кнопок подвійного перемикача, вийміть вилку з розетки, і обома руками за ручки перемістіть прилад на нове місце, при чому переміщення необхідно робити, коли конвектор холодний (охолов). Переміщення нагрітого приладу може призвести до небажаних наслідків для користувачів, таких як опік або потрапляння легкозаймистих матеріалів на конвектор під час його переміщення.

## ОПИС ПРИЛАДУ

- Ліва сторона конвектора
- Ручка
- Права сторона конвектора
- Сигнальна лампочка
- Перемикач для встановлення ступеня нагріву
- Терморегулятор (Термостат)
- Основа приладу

- Запобіжна решітка
- Шнур живлення



## ВБУДОВАНИЙ ВИМИКАЧ В РАЗІ ПЕРЕКИДАННЯ (ПАДІННЯ)

Конвектор має вбудований вимикач в разі перекидання, якщо прилад перекинеться, напруга живлення буде перервана. Залиште його на деякий час поки охолоне і потім його знову випряміть. Він відновить свою нормальну роботу.

## АВТОМАТИЧНЕ ЗАХИСНЕ ВІДКЛЮЧЕННЯ

Конвектор має і вбудований пристрій (самовідновлювальний термовимикач), який автоматично спрацьовує і відключається у разі перегріву і відновлює роботу при охолодженні температури приладу.

## **Важливо!**

При першому включенні можлива поява певних запахів. Це нормально для початкового періоду роботи. Переконайтеся, що конвектор розміщений у добре вентильованому приміщенні і залиште його працювати, поки зникне запах. Можлива поява і специфічного шуму, схожого на потріскування, в період поки конвектор нагрівається. Це нормально і конвектор працює в звичайному режимі. Відразу, як конвектор нагрівається, цей шум зникає.

## ОЧИЩЕННЯ

- Обов'язково спочатку вимкніть прилад з допомогою вимикача і вийміть вилку з розетки. Перш ніж почати чистити конвектор, дайте йому охолонути, вимкнувши його з розетки.
- Очищайте корпус вологою ганчіркою, пиლოსосом або щіткою.
- Ніколи не мочіть прилад водою - існує небезпека для життя від ураження електричним струмом!
- Ніколи не використовуйте бензину, розчинників або грубих абразивних засобів для чищення, так

як вони можуть пошкодити покриття приладу.

## ЗБЕРІГАННЯ

- Перед тим, як сховати конвектор у відведене для зберігання місце, дайте йому охолонути, вимкнувши його з розетки.
- Використовуйте оригінальну упаковку для зберігання конвектора, коли він не використовується протягом деякого часу. Зберігання виробу в оригінальній упаковці захищає його від надмірного пилу і бруду.
- Ніколи не вкладайте теплий прилад в упаковку!
- Прилад необхідно зберігати в сухому і захищеному від прямих сонячних променів місці.
- Строго забороняється зберігання приладу у вологих або мокрих приміщеннях.

## КОМПЛЕКТУВАННЯ ОДНІЄЇ УПАКОВКИ:

Конвектор	1 шт.
Ніжки	2 шт. (ліва і права)
Інструкція	1 шт.
Гарантійний талон	1 шт.

## ТЕХНІЧНІ ПАРАМЕТРИ ПРИЛАДУ:

Модель	Оголошена потужність	Оголошена напруга живлення	Оголошена частота
CN 221 MC	2000 Вт	230 В ~	50 Гц



### Інструкції з охорони навколишнього середовища

Старі електричні прилади містять цінні матеріали, тому їх не треба викидати разом з побутовим сміттям! Просимо Вас сприяти захисту навколишнього середовища своїм активним внеском і передавати використані прилади в організовані відповідні пункти (якщо такі є).



## TÄHELEPANU:

- Lugege käesolev juhend läbi enne selle seadme kasutamist ja säilige käesolev kasutus- ja hoidmisjuhend tulevaseks kasutamiseks. Omaniku vahetamise korral tuleb kasutusjuhend koos seadmega üle anda!
- **TÄHELEPANU:** Alla 3-aastased lapsed tuleb eemal hoida, kui nad ei ole pideva järelevalve all.

3 kuni 8-aastased lapsed võivad ainult seadme sisse/välja nuppu kasutada juhul, kui seade on installitud ja valmis tavalise töö jaoks ning nad on järelevalve all ja instrueeritud seadme ohutu kasutuse kohta ja saavad ohutust aru.

3 kuni 8-aastased lapsed ei tohi seadet kontaktpesasse sisse lülitada, seadistada, puhastada või kasutaja hooldust teha.

See seade võib kasutada üle 8-aastaste laste ja füüsiliste, meeleliste või vaimsete oskustega või ebapiisavate kogemuse ja teadmistega isikute poolt, kui nad on järgitud või instrueeritud seadme ohutu kasutamise kohta ja saavad ohutust aru. Lapsed ei tohi seadmega mängida. Puhastamist ja kasutaja hooldust ei tohi lapsed teha, kes ei ole järelevalve all.

- See seade ei ole ette nähtud kasutamiseks isikutele (sealhulgas lastele), kelle füüsilised, sensoorsed või vaimsed võimed on vähenenud või kellel puuduvad kogemused ja teadmised, välja arvatud juhul, kui nende ohutuse eest vastutav isik on neid seadme kasutamisel juhendanud või juhendanud.

Laste üle tuleb teostada järelevalvet, et nad ei mängiks seadmega.

- **TÄHELEPANU:** Selle toote mõned osad võivad väga kuumaks saada ja põletusi tekitada. Seal, kus asuvad lapsed ja haavatavad isikud, tuleb pöörata eritählepanu.



- **HOIATUS:** Ülekuumenemist vältimiseks seadist mitte katta!
- Seadet ei tohi otse pistikutoosi alla panna!
- Kui toitejuhe on kahjustatud, peab ohu vältimiseks selle asendama tootja, tema teenindusagent või samalaadse kvalifikatsiooniga isikud.
- Enne seadme sisselülitamist kontrollige kas tüübisildil toodud pinge vastab teie kodus olevale elektrivõrgu pingele.
- Seade kasutatakse ainult selleks eesmärgiks, mille jaoks on ettenähtud, ehk kodu ruumide kütmiseks. Seade ei ole ettenähtud ärieesmärgiks. Iga muu kasutamine peetakse ebaõigeks ja seetõttu

ohhtlikuks. Tootja ei vastuta ebaõige või ebamõistliku kasutamise tõttu tekkinud rikete eest. Ohutusinfost mitte kinnipidamine teeb seadme vastuvõetud garantii kehtetuks!

- Ärge minge kodust välja niikaua kui seade on sisselülitatud: veenduge, et lülitid on välja lülitatud asendis. Alati võtke seadme pistik pistikupesast välja.
- Hoidke kergsüttivad esemed, nagu mööblid, padjad, voodipesu, paber, riided, kardinaid jne vähemalt 100 cm kaugusel konvektor-soojendist.
- Ärge kasutage seadet piirkondades, kus kasutatakse või hoitakse tuleohhtlikke aineid. Ärge kasutage seadet piirkondades, kus on olemas süttivaid õhkkondi (näiteks: kergsüttivate gaaside või aerosoolide lähedal), kuna on olemas väga suur plahvatuse või tulekahju oht!
- Ärge sisestage ja laske väliskehasid (sisenevate või väljuvate) ventilatsioonivahete sisse soojusventilaatoriga mudelite korral, sest see võib elektrilööki või tulekahju tekitada või seadet kahjustada.
- Seade ei sobi loomade kasvatamiseks ning on ettenähtud ainult kodukasutuse jaoks!
- Hoidke õhuvoolu väljapääsu esemetest vaba: vähemalt konvektorist 1 m ees ja 1 m taga kaugusel.
- Kõike sagedasem ülekuumenemise põhjuseks on seadmesse kiude ja tolmu kogumine. Puhastage ventilatsiooniavad tolmuimejaga regulaarselt ning enne seda seade tuleb kindlalt elektrivõrgust välja lülitada.
- Seadet märja kätega mitte kunagi puudutada, sest see on eluohtlik!
- Pistikupesaga peab kogu aeg kättesaadav olema selleks, et pistik saaks võimalikult kiiresti elektrivooluvõrgust välja võtta! Voolujuhet või seadet ise mitte kunagi tõmmata elektrivõrgust välja.
- Tähelepanu! Väljuv õhk soojeneb töötamise ajal (kuni üle 100 kraadini).
- Ärge katke seadet. Katmise korral võib seade üle kuumeneda ja tulekahju tekkida.
- Kui seade ei ole korras või töötab ebaõigelt, peatage see ja ärge seda ise parandage. Igasuguste paranduste jaoks tuleb Müüjijärgsesse Teeninduskeskusesse pöörduda. Ainult seal vahetatakse katkine osa. Sellest tingimusest mitte kinnipidamisel kahjustatakse seadme ohutust.
- Kui otsustate, et te seda liiki seadet enam ei kasutate, on soovitatav, et te teeksite seda mitte kasutatavaks juhtme äralõikamise kaudu pärast elektrivõrgust lahti ühendamist. Soovitatakse ka kõik seadmega seotud ohud ohutuks teha, eriti laste jaoks, kes võivad amortiseeritud seadist (seadet) mängimiseks kasutada.
- Seadet mitte kunagi asjata sisselülitatuna jätta. Lülitage seade elektrivõrgust välja, mil te seda pikaajaliseks ei kasuta.



- **Tähelepanu:** Ärge seadet kasutage programmaatoriga, loendajaga või muu seadisega, mis lülitab seadme automaatselt sisse, kuna kui seade on kaetud on olemas tulekahjuoht.
- Pange voolujuhe nii, et see inimeste liikumise ei takistaks ja selle peale ei saaks astuda! Kasutage ainult lubatud pikendusjuhtmed, mis sobivad seadmele ehk neil on vastavuse märk!
- Seadet mitte kunagi ümber paigaldada juhtmega tömmate ja juhete mitte esemete viimiseks kasutada!
- Ärge katkege juhete ja ärge seda läbi teravate servade tömmake ja ärge pange seda kuumade plaatide või liigipäsetava löke peale!
- Seda seadet mitte kunagi vannitoa, duši või ujula otsesel lähedusel kasutada!
- **TÄHELEPANU:** Tuleohtu vähendamiseks hoidke tekstiili, kardinaid või muid põlevaid materjale õhu väljalaskeavast vähemalt 1 m kaugusel.
- Seda seadet mitte kasutada vanni, duši või basseini kõrval;
- Seda seadet mitte kasutada, kui see on maha kukkunud;
- Seadet mitte kasutada, kui sel on nähtavaid kahjustusi;
- Kasutage seda seadet horisontaalsel ja stabiilsel pinnal või kinnitage see vastavalt vajadusele seina külge.
- **TÄHELEPANU:** Ärge kasutage seadet väikestes ruumides, kui neis viibivad inimesed, kes ei saa iseseisvalt ruumist lahkuda, välja arvatud juhul, kui on tagatud pidev järelevalve.

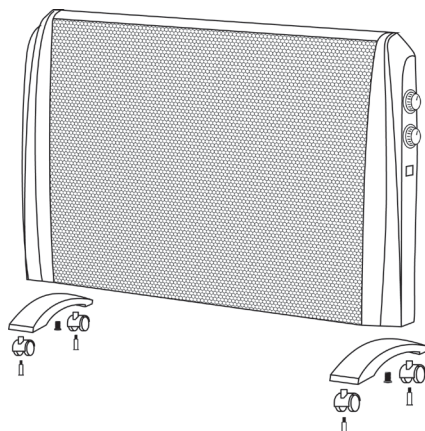
## PAKEND

- Pärast seadme pakendist väljavõtmist kontrollige kas seade ei ole transpordimisel rikki läinud, kontrollige kas seade on täielikult pakitud! Juhul kui on kindlaksmääratud rike või ebatäielik kohaletoimetamine, siis tuleb teie pädeva müüjaga ühendust võtta!
- Originaali pakendit mitte ära viisata! Seda võib hoidmiseks või transportimiseks kasutada rikete vältimiseks vedamise tulemusena!
- Pakendi materjali äraviskamine tuleb sobival viisil toimuda! Lapsed tuleb eemale hoida selleks, et nad ei mängiks polüetüleeni kottidega!

Täname teid, et te valisite konvektori CN 221 MC. See on toode, mis pakub kütet talvel olenes mugava soojuse vajaduse saavutamiseks kütavas ruumis. Nagu on kirjeldatud selles kasutusjuhendis, garanteerib seade teid pikaajalist kasulikku funktsioneerimist õige kasutuse ja hoolduse korral.

## SEADME INSTALLIMINE JA KASUTAMINE

Enne teie paneelkonvektori sisselülitamist. Palun kontrollige kas kaks rataste komplekti on õigesti fikseeritud seadme igale kandjale vastavate kruvidega.



Pange konvektor õige töoasendisse enne, et selle elektrivooluvõrguga sisse lülitaksite

- Seadme komplekti kuulub võimsuse valiku lüliti, kusjuures „I“ on 1200W jaoks, „II“ on 2000W jaoks. Kogu maksimaalne võimsus, kui kaks astet on sisselülitatud on 2000W
- Seadme komplekti kuulub termoregulaator, mis on tundlik ümbritseva keskkonna temperatuuri suhtes. Te saate termoregulaatori käepidet keerata kuni soovitud ümbritseva temperatuuri jõudmiseni (kõetav ruum peab seadme võimsusele sobima, kui ei ole võimalik soovitud temperatuuri jõuda, tuleb lisa soojendit ruumis kasutada). Te saate termoregulaatori aeglaselt kellaosuti liikumise vastassuunas kuni on termoregulaatorist „klõpsu“ kulda. Pärast seda hoiab seade õhutemperatuuri toas seadistatud tasemel automaatselt sisse- ja väljalülitamise kaudu.
- seadmel on sissehitatud funktsioon külmumise vastu (anti-frost). Kui te otsustate seadet sellises ruumis kasutada, kus on vaja minimaalset temperatuuri hoida (talveaiad, keldrid, põõningud) lülitab seade end ise (I astme või II astme, või mõlemad) sisse, termoregulaator keerab end kellaosuti liikumise vastassuunas kuni o asendi jõudmiseni. Sel asendil tagab seade ümbritseva temperatuuri hoidmist vahemikus 5±2 kraadi, ehk perioodiliselt lülitab seade end sisse ja välja, seadistatud temperatuuri mugavuse fikseeritud taset ruumis hoides.
- Võimalikud astmed on näitavalt toodud.

**Märkus.** Seade näitab temperatuuri anduri asukoha ümber ega ole vahend ümbritseva temperatuuri täpselt mõõtmiseks.

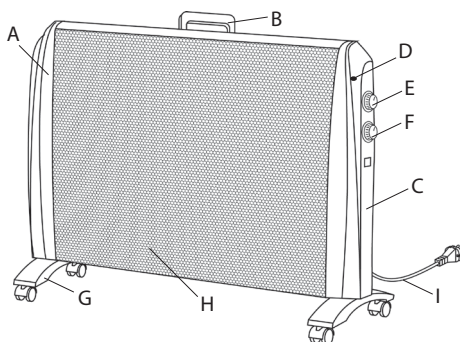
## SEADME ÜMBERPAIGALDAMINE:

Kui on vaja seadme ümberpaigaldamist, lülitage seadme välja topeltlüliti kaudu, võtke pistik kontaktipesast välja ja pange seade kahe käega uute kohta, kusjuures seadme ümberpaigaldamine peab toimuma, mil konvektor on külm (jahutatud). Sooja

seadme ümberpaigaldamine võib ebasoovitav tagantjõrgi kasutajale olla, nagu põletus või kergsüttivate esemete konvektorile sattumine.

## SEADME KIRJELDUS

- A. Konvektori vasak pool
- B. Käepide
- C. Konvektori parem pool
- D. Signaallamp
- E. Soojenduse astmete seadistamise lüliti
- F. Termoregulaator
- G. Seadme alus
- H. Kaitsevõre
- I. Voolujuhe



## SISSEEHITATUD ÜMBERPÖÖRAMISE (KUKKUMISE) VÄLJALÜLITI

Konvektoril on sisseehitatud ümberpööramise väljalüliti. Juhul kui konvektor pöörab end üles, saab toitev pinget katkestatud. Jätke konvektor mõneks ajaks jahtuma ja siis pange see jälle püsti. Konvektor taastab oma normaalse tööd.

## AUTOMAATNE KAITSE VÄLJALÜLITAMINE

Konvektori sees on sisseehitatud seadis (taastuv termoväljalüliti), mis paneb end ise käima ja lülitab en ise välja automaatselt ülekuumenemise korral ja taastub seadme temperatuuri jahtumisel.



### Tähelepanu!

Esimesel sisselülitamisel on võimalik, et te tunnete spetsiifilist haisu. See on normaalne esimese töötamise perioodi ajal. Veenduge, et konvektor on pandud hästi ventileeritud ruumis ja jätke see töötama kuni hais üle läheb. On ka võimalik, et te kuulaksite spetsiifilist müra, mis meenutab praksatust. See on normaalne ja konvektor töötab normaalses režiimis. Niipea kui konvektor soojeneb läheb see müra üle.

## PUHASTAMINE

- Esmalt tuleb seade kindlalt lülitiga välja lülitada ja seina kontaktist välja tõmmata. Enne kui te hakkate

konvektorit puhastama tuleb see jahtuma lasta kontaktpesast väljalülitamise kaudu.

- Puhastage korpus märja rätikuga, tolmuimejaga või harjaga.
- Seadet mitte kunagi vette uppuda, kuna on olemas elektrilöögi eluoht!
- Bensini, lahusti või abrasiivseid tooraineid mitte kunagi kasutada, kuna nad kahjustavad seadme katet.

## HOID

- Enne konvektori ärapanemist tuleb see jahtuma lasta pistikupesast välja lülitamise kaudu.
- Konvektori hoidmiseks kasutage originaalset pakendit, kui seadet ei kasutata mõneks ajaks. Toodet kaitstakse liigse tolumise ja reostamise vastu selle originaalsesse pakendisse ärapanemise kaudu.
- Sooja seadet mitte kunagi sellesse pakendisse ära panna!
- Seade tuleb kuivas ja kaitstud otsese päikesevalguse eest kohas hoida.
- Seadme hoidmine niisketes või märgades ruumides on rangelt keelatud.

## ÜHE PAKENDI KOMPLEKT:

konvektor	1
jalga (vasak ja parem)	2
kasutus- ja hoidmisjuhend	1
garantiikaart	1

## SEADME TEHNILISED PARAPEETRID:

Mudel	Teatatud võimsus	Teatatud voolupinge	Teatatud sagedus
CN 221 MC	2000W	220-240V~	50Hz



### Juhendid miljöösäästmise kohta

Vanad elektriseadmed sisaldavad väärtuslikke materjale ja selle pärast ei tohi neid koos koduprügiga ära visata! Palume teie aktiivse koostöö eest ressurside ja miljöösäästmiseks ja seadme korraldatud kokkuostu punktidele (kui selliseid on olemas) üle anda.

**TABEL 2 ELEKTRI-KOHTKÜTTESEADMETE KOHTA NÕUTAV TEAVE**
**Mudeli tunnuskood(id):** CN 221 MC/HP1001-20

Näitaja	Tähis	Väärtus1.	Ühik	Näitaja	Ühik
Soojusvõimsus				Sissetuleva soojuse liik, üksnes elektriliste soojust salvestavate kohtkütteseadmete puhul (valige üks)	
Nimisoojusvõimsus	$P_{nom}$	2.0	kW	Soojushulga käsijuhtseadis sisseehitatud termostaadiga	[ei]
"Minimaalne soojusvõimsus (soovituslik)"	$P_{min}$	1.260	kW	Soojushulga käsijuhtseadis toa- ja/või välistemperatuuri tagasisidega	[ei]
"Maksimaalne pidev soojusvõimsus"	$P_{max,C}$	2.050	kW	"Elektroniline soojushulga juhtseadis toa- ja/või välistemperatuuri tagasisidega"	[ei]
"Lisaelektrienergia tarbimine"				Ventilaatoriga muudetav soojusvõimsus	[ei]
Nimisoojusvõimsusel	$e_{lmax}$	N/A	kW	<b>Soojusvõimsuse/toatemperatuuri seadistamise viis (valigeüks)</b>	
Minimaalsel soojusvõimsusel	$e_{lmin}$	N/A	kW	"Üheaastmelise soojusvõimsusega, toatemperatuuri seadistamise võimaluseta"	[ei]
Ooteseisundis	$e_{lSB}$	N/A	kW	Kahe või enama käsitsi valitava astmega, toatemperatuuri seadistamise võimaluseta	[ei]
				Toatemperatuuri seadistamine mehaanilise termostaadiga	[jah]
				Toatemperatuuri elektroonilise seadistamisega	[ei]
				"Toatemperatuuri elektroonilise seadistamise ja ööpäevataimeriga"	[ei]
				"Toatemperatuuri elektroonilise seadistamise ja nädalataimeriga"	[ei]
				<b>Muud juhtimisvõimalused (mitu valikut lubatud)</b>	
				"Toatemperatuuri seadistamine koos ruumis viibimise avastamisega"	[ei]
				"Toatemperatuuri seadistamine koos avatud akna avastamisega"	[ei]
				Kaugjuhtimisvõimalusega	[ei]
				Kohaneva käivitusjuhtimisega	[ei]
				Tööajapiiranguga	[ei]
				Musta lambiga anduriga	[ei]

TESY Ltd - Head office  
 1166 Sofia, Sofia Park,  
 Building 16V, Office 2.1. 2nd Floor  
 PHONE: +359 2 902 6666,  
 FAX: +359 2 902 6660,  
 office@tesy.com



## ВНИМАНИЕ:

- Прочитатеј тековните инструкции пред да го користите овој апарат и чувајте ги овие упатства за понатамошна употреба. При промена на сопственикот, упатствата треба да се пренесуваат заедно со апаратот.

- **ВНИМАНИЕ:** Деца на помалку од 3 години, треба да се чуваат надвор, освен ако не се под постојан надзор. Деца на возраст од 3 години до 8 години може само да го користат копчето вкл. / искл. на апаратот, под услов апаратот е инсталиран и е подготвен за нормална работа и биле забележани и обучени за употреба на безбеден начин и разбираат дека може да е опасно.

Деца на возраст од 3 години до 8 години не треба да вклучуваат апаратот во штекер, да го дотеруваат, да го чистат или да вршат корисничка поддршка.

Овој уред може да се користи од деца на возраст над 8 години и лица со намалени физички, сетилни или ментални способности, или што немаат искуство и знаење, ако тие се одвиваат или обучени за безбедна употреба на апаратот и разбираат опасностите.

Децата не треба да си играат со апаратот. Чистење и корисничка поддршка не смее да се прави од деца без надзор.

- Овој уред не е наменет за употреба од лица (вклучувајќи деца) со намалени физички, сетилни или ментални способности, или со недостаток на искуство и знаење, освен ако не се под надзор или не им се дадени инструкции во врска со употребата на уредот од лице одговорно за нивната безбедност.

Децата треба да се надгледуваат за да се осигура дека не се играат со уредот.

- **ВНИМАНИЕ:** Некои делови на овој производ може да станат многу жешки и да предизвикаат изгореници. Таму каде што присуствуваат деца и ранливи луѓе, мора да биде доставено посебно внимание.



- **ПРЕДУПРЕДУВАЕ:** За да се избегне прегревање, не покривајте уредот!

- Уредот не треба да се става непосредно под приклучната кутија!
- Ако кабелот за напојување е оштетен, тој мора да биде заменет од производителот, неговиот сервисен агент или слично квалификувани лица за да се избегне опасност.

- Пред да го вклучите уредот - проверете дали наведениот напон на типската табличка одговара на напонот, доставен до вашиот дом.
- Овој уред треба да се користи само за намената за која е бил предвиден, односно да грее битни простории. Уредот не е наменет за комерцијални цели. Секоја различна употреба да се смета за несоодветна и затоа опасна. Производителот не може да носи одговорност за штета кои произлегуваат од неправилна и неразумна употреба. Непочитување на информациите за безбедност ќе го направи невалидно поетата гаранција за уредот!
- Не напуштајте вашиот дом, додека уредот е вклучен: бидете сигурни дека клучот е во исклучена положба. Секогаш го водете приклучокот на уредот од контактот.
- Чувајте запаливи предмети, како мебел, перници, постелнина, хартија, облека, завеси итн на растојание од најмалку 100 см далеку од конвекторската печка.
- Не користете го уредот во зони каде се користат и чуваат чадат материји. Не користете го уредот во зони со запаливи атмосфери (на пример: во близина на запаливи гасови или аеросоли) - постои многу голема опасност од експлозија и пожар!
- Не оштетувајте и не дозволувајте туѓи тела да падне во отворите за вентилација (дојдовни или појдовни), бидејќи тоа ќе предизвика струен удар, пожар или оштетување во конвекторот.
- Уредот не е погодан за одгледување на животни, и истиот е предвиден само за домашна употреба!
- Чувајте влезот и излезот на воздушното струење слободни од предмети: барем на растојание од 1 m пред и 1 m зад конвекторот.
- Најчестиот причина за прегревање е акумулација на мов и прав во уредот. Редовно чистете го со правосмукалка отворите за вентилација, како пред тоа задолжително го исклучите уредот од електричната мрежа.
- Никогаш не допирајте уредот со мокри и влажни раце - постои опасност за животот!
- Контактот треба да биде достапен во секое време, за да може приклучокот да биде ослободуван при потреба можно побрзо! Никогаш не влечете го кабелот за напојување или самиот апарат при исклучување од мрежата.
- Обрнете внимание! Издувниот воздух се загрева за време на работа (до повеќе од 100°C).
- Не покривај уредот. Ако е покриен има опасност од прегревање и опасност од пожар.
- Ако уредот не е во ред или функционира неправилно, запрете го и не го поправајте. За сите поправки контактирајте за помош кон сервисниот центар за попродажни услуги. Само таму ќе заменуваат неисправниот дел со оригинални

резервни таква. Не почитувањето на овој услов ќе ја компромитира безбедноста на уредот.

- Ако одлучите да престанете да го користите уредот од овој тип, се препорачува да го направите неупотребливи, како исечете кабелот, откако сте го исклучиле од мрежата. Се препорачува уште сите опасности поврзани со уредот да бидат обезбедени, особено за деца кои би можеле да користат амортизираниот уред (апаратот) за игра.
- Никогаш не оставајте непотребно уредот вклучен. Исклучете го од струја кога нема да го користите подолго време.
- **Внимание:** Не користете овој уред со програматор, бројач или друг уред кој автоматски го вклучува бидејќи, ако уредот е покриен или неправилно наместен постои опасност од пожар.
- Ставете го кабелот за напојување, па да не го попречува движењето на луѓето и да не биде наслучен! Користете само одобрени продолжни кабли, кои се погодни за уредот, односно имаат знак за сообразност!
- Никогаш не поместувајте уредот, како го повлекува за кабелот и не користете кабелот за пренесување на предмети!
- Не виткајте кабелот и не го влечете преку остри рабови и не го ставајте врз жешки плочи или отворен оган!
- Никогаш не го користете овој уред во близина на бања, до туш или до базен!
- Никогаш не го користете овој уред во близина на бања, до туш или до базен!
- **ВНИМАНИЕ:** За да го намалите ризикот од пожар, чувајте го текстилот, завесите или другите запаливи материјали на минимално растојание од 1 метар од излезот на воздухот.
- Не користете го овој уред во непосредна близина на када, туш или базен;k
- Не користете го овој уред ако е паднат;
- Не користете ако има видливи знаци на оштетување на уредот;
- Користете го овој уред на хоризонтална и стабилна површина или прицврстете го на сидот, како што е соодветно.
- **ВНИМАНИЕ:** Не користете го уредот во мали простории каде што се наоѓаат луѓе кои не можат сами да ја напуштат просторијата, освен ако не е обезбеден постојан надзор.

## ПАКУВАЊЕ

- По распакување на уредот, проверете дали при транспортот не е оштетен и дали е целосно опремен! Во случај дека биде констатирано оштетување или нецелосни испорака, контактирајте со Вашиот овластен продавач!
- Не фрлајте оригиналната кутија! Таа би можела

да се користи за складирање и транспорт, за да се избегне оштетување од превозува!

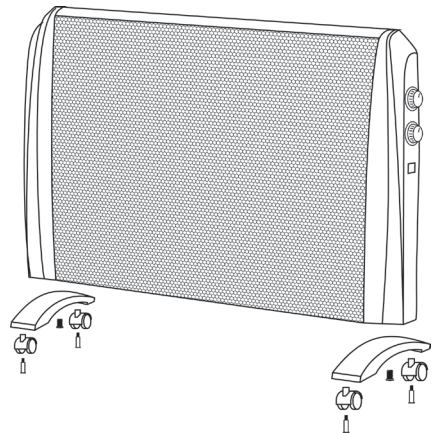
- Фрлањето на амбалажниот материјал треба да станува на соодветен начин! Децата треба да се чуваат да не си играат со полиетиленските торби!

Ви благодариме што го одбравте конвекторот CN 221 MC. Тоа е уред кој нуди греење во зимата од во зависност од потребите за постигнување на удобната топлина во греењето просторија. При правилна употреба и нега, како што е опишано во овие упатства, уредот ќе ви обезбеди многу години корисно функционирање.

## ИНСТАЛИРАЊЕ И КОРИСТЕЊЕ НА УРЕДОТ

Пред да го вклучите вашиот панелен конвектор:

Ве молиме проверете дали двата сета тркала се правилно фиксирани кон секој носач на уредот со соодветните завртки.




Ставете конвекторот во правилна работна позиција пред да го вклучите во електричната мрежа за напојување.

- Уредот е опремен со прекинувач за избор на моќност. „I“ е за 1200W, „II“ е за 2000W. Вкупната максимална моќност кога се вклучат и двете степени е 2000W.
- Уредот е опремен со терморегулатор чувствителен на животната температура. Можете да ротираше рачката на терморегулаторот (Thermostat knob) до постигнување на саканата температура (просторијата која се грее е потребно да биде во согласност со моќноста на уредот, при неможност за постигнување на посакуваната температура се наметнува користење на дополнително грејно тело) во просторијата. Може да ја ротираше терморегулаторот во насока на стрелката на часовникот на максимална вредност, откако достигне саканата собна температура, треба да ја ротираше терморегулаторот бавно во

спротивната насока од стрелките на часовникот додека не слушнете терморегулатор да „кликне“. Потоа уредот ќе одржува температурата на воздухот во просторијата на зададено ниво преку вклучување и исклучување автоматски.

- уредот има вградена функција против смрзнување (anti-frost). Кога ќе одлучите да го користите уредот во просторија каде е потребно да се одржува минимална температура (зимски градини, подруми, тавани) уредот се вклучува на посакуваното ниво на греење (I степен или II степен, или и двете), терморегулаторот се ротира назад на часовникот стрелка до постигнување на позиција 0. При оваа позиција уредот гарантира одржување на амбиентна температура во опсег  $5 \pm 2^{\circ}\text{C}$  - т.е. периодично тој ќе се вклучува и исклучува, поддржувајќи поставеното фиксно ниво на температурна удобност во просторијата.
- Можните степени се прикажани индикативно.

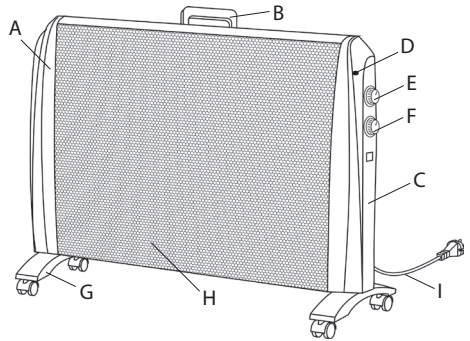
 **Забелешка:** Уредот ја покажува температурата околу локацијата на сензорот и не е средство за точно мерење на температурата на околината.

### ПОМЕСТУВАЊЕ НА УРЕДОТ:

Ако е потребно поместување на уредот, исклучете преку двојниот клуч, извадете плуг од контактот и со две раце преку рачките поместете го уредот на новата локација, како преместувањето е потребно да се оствари при ладен (изладен) конвектор. Преместувањето на топол уред може да доведе до несакани последици за корисникот, како горење или паѓање на запаливи материјали врз конвекторот за време на неговото преместување.

### ОПИС НА УРЕДОТ:

- J. Лева страница на конвекторот
- K. Рачка
- L. Десна страница на конвекторот
- M. Сигнална ламба
- N. Клуч за задавање на степените на загревање
- O. Терморегулатор
- P. Основа на уредот
- Q. Заштитна решетка
- R. Приклучни кабел



### ВГРАДЕН ПРЕКИНУВАЧ ЗА ПРЕВРТУВАЊЕ (ПАЃАЊЕ)

Конвекторот има вграден прекинувач за превртување, во случај дека истиот се преврти, напонот ќе биде прекинат. Оставете го некое време додека се излади и тогаш го исправете повторно. Тој ќе се врати нормалната работа.

### АВТОМАТСКО ЗАШТИТНО ИСКЛУЧУВАЊЕ

Во конвекторот има ли вграден уред (само повратни термо прекинувач), кој автоматски се активира и исклучува во случај на прегревање и ќе се обнови при ладење на температура на уредот.

 **Важно!**

*Можно е при првото вклучување на уредот да се почувствува мирис. Тоа е нормално за почетниот период на работа. Осигурете се дека конвекторот е поставен во добро проветрена просторија и оставете го да работи додека исчезне мирисот. Може да слушнете и специфичен бучава, која наликува на пуцкање додека конвектор се загрева. Тоа е нормално и конвекторот работи во нормален режим. Веднаш штом конвектор се загрее оваа бучава исчезнува.*

### ЧИСТЕЊЕ

- Задолжително прво исклучете го уредот од клучот на извадете го приклучокот од ѕидниот штекер. Пред да почнете да го чистите конвекторот, оставете го да се излади како го исклучите од контактот.
- Исклучете го куќиштето со влажна крпа, правосмукалка или четка.
- Никогаш не го потопувајте уредот во вода - опасност за животот од струен удар!
- Никогаш не користете бензин, разредувач или груби абразивни производи за чистење, бидејќи тие ќе го оштетат премазот на уредот.

### СКЛАДИРАЊЕ

- Пред да приберете конвекторот, оставете го да се излади како го исклучите од контактот.
- Користете оригиналното пакување за складирање на конвекторот ако истиот нема да се користи за некое време. Производот се штити од прекумерната посипување и загадување како се прибира во оригиналното пакување.
- Никогаш не ваѓајте топол уред во пакување му!
- Производот е потребно да се чува на суво и заштитено од директна сончева светлина локација.
- Експлицитно се забранува неговото чување во влажни или мокри простории.

#### ОПРЕМУВАЊЕ ВО ЕДЕН ПАКЕТ:

Конвектор	1 парче
Нозете	2 парчиња (лев и десен)
Упатство	1 парче
Гаранцијска карта	1 парче

#### TECHNICAL CHARACTERISTICS OF THE APPLIANCE:

Model	Rated power	Rated voltage	Rated frequency
CN 221 MC	2000W	220-240V~	50Hz



#### Environment protection instructions

Old electric appliances contain valuable materials and therefore should not be disposed of as domestic waste! We ask you for your active cooperation to protect the resources and the environment by submitting your appliance to organized buy-back stations (if there are such).



# TESY

TESY Ltd.  
Shumen, 9700, 48 Blvd. Madara,  
PHONE: +359 54 859 129,  
office@tesy.com

ТЕСИ ООД  
9701 гр. Шумен, бул. Мадара 48,  
PHONE: +359 54 859 129,  
office@tesy.com

