



INSTRUCTION MANUAL BREAD MAKER

BEDIENUNGSANLEITUNG BROTBACKAUTOMAT

ИНСТРУКЦИЯ ПО ЭКСПЛУАТАЦИИ УСТРОЙСТВО ДЛЯ ВЫПЕЧКИ ХЛЕБА

INSTRUKCJA OBSŁUGI URZĄDZENIE DO PIECZENIA CHLEBA

INSTRUCȚIUNI DE FOLOSIRE APARAT DE FĂCUT PÂINE

LIETOŠANAS PAMĀCĪBA AUTOMĀTISKĀ MAIZES CEPŠANAS KRĀSNS

NAUDOJIMO INSTRUKCIJA DUONKERĖ

UPUTSTVO ZA UPOTREBU AUTOMAT ZA PEČENJE HLEBA

ІНСТРУКЦІЇ З ЕКСПЛУАТАЦІЇ ХЛІБОПІЧКА

УПЪТВАНЕ ЗА ИЗПОЛЗВАНЕ НА АВТОМАТ ЗА ХЛЯБ

MODE D'EMPLOI MACHINE A PAIN

MANUAL DE INSTRUCCIONES PANIFICADORA

MANUALE DI ISTRUZIONI MACCHINA PER IL PANE

دليل التعليمات

جهاز صنع الخبز



ENGLISH	PAGE 2	LATVIAN	LPP. 26	FRANÇAIS	PAGE 47
DEUTSCH	SEITE 7	LIETUVIU K.	P. 30	ESPAÑOL	PÁGINA 53
РУССКИЙ	СТР. 12	SCG/CRO/B.i.H.	STRANA 32	ITALIANO	PAGINA 59
POLSKI	STRONA 17	УКРАЇНСЬКА	СТОР. 38	العربية	الصفحة 64
ROMANESTE	PAGINA 22	БЪЛГАРСКИ	СТР. 43		

Danke für den Kauf eines
ORIGINAL Produktes von

TZS FIRST
AUSTRIA®

Nur ECHT mit diesem **TZS**

Thank you for buying
an ORIGINAL Product of

TZS FIRST
AUSTRIA®

Only GENUINE with this **TZS**

Ми вам благодарні за
покупку ОРИГІНАЛЬНОГО
изделия компании

TZS FIRST
AUSTRIA®

Тільки ПОДЛИННИКИ с этим **TZS**

نصيحة: إذا قمت بإزالة مضارب العجن بعد آخر عملية عجن ؛ فإن الخبز سوف يظل سليماً عند إزالته من قالب الخبز.

- اضغط لفترة قصيرة على زر Start/Stop ، وذلك لإيقاف عملية الخبز، أو اجذب المقبس (الفيشة) من قابس (بريزة) مصدر التيار الكهربائي .
- افتح غطاء الجهاز وأخرج قالب الخبز. يمكنك إخراج العجن إلى الخارج بواسطة البدين المختلطين بالدقيق وإزالة مضارب العجن.
- استبدل العجين وأغلق غطاء الجهاز.
- أدخل المقبس (الفيشة) مرة أخرى في قابس (بريزة) مصدر التيار الكهربائي، ثم اضغط على زر Start/Stop. برنامج الخبز مستمر. اترك الخبز لمدة 15-30 دقيقة قبل تناوله. تأكد من أن مضرب العجن مازال في قالب الخبز؛ وذلك قبل تقطيع الخبز.

تحذير

لا تحاول بدء تشغيل جهاز صنع الخبز، وذلك قبل أن يتم تبريده، أو قبل أن يتم تدفئته. إذا ظهر على الشاشة "H:HH"، بعد بدء تشغيل البرنامج؛ فإن ذلك يعني أن درجة الحرارة داخل الجهاز مازالت مرتفعة جداً. يجب إيقاف البرنامج وفصل الجهاز من مصدر التيار الكهربائي فوراً. ثم افتح الغطاء وأترك الجهاز ليبرد تماماً، وذلك قبل استخدامه مرة أخرى (فيما عدا في حالة برنامج الخبز (BAKE) والمرى (JAM). إذا ظهرت الحروف LLL على شاشة العرض بعد بدء تشغيل البرنامج؛ فهذا يعني أن درجة الحرارة داخل الجهاز منخفضة جداً. يجب أن تضع جهاز صنع الخبز في بيئة ذات درجة حرارة أعلى للاستخدام (وذلك فيما عدا برنامج الخبز (BAKE) والمرى (JAM). إذا ظهر على الشاشة "EE0" بعد الضغط على زر START/STOP ؛ فهذا يعني أن مستشعر درجة الحرارة يكون في وضع الدائرة المفتوحة، رجا فحص المستشعر بعناية بواسطة خبير مرخص. إذا ظهرت الحروف EE1 على شاشة العرض، فإن هذا يعني أن مستشعر درجة الحرارة به دائرة قصر.

التنظيف والصيانه

افصل الجهاز من مصدر التيار الكهربائي واتركه حتى يبرد؛ وذلك قبل التنظيف.

لا تستخدم غسالات الأطباق أو الماء الساخن جداً في الغسيل.

1. وعاء الخبز: امسح داخل وخارج الجهاز بقطعة من القماش المبلل. لا تستخدم أية عوامل حادة أو كاشطة؛ وذلك لاعتبارات حماية الطلاء غير القابل للالتصاق. يجب تجفيف الوعاء بشكل كامل قبل تركيبه.
2. نصل (سكين) العجن: إذا كان من الصعب فك قضيب العجن من المحور، املء الوعاء بالماء الدافئ، واتركه ليتشرب لحوالي 30 دقيقة. من ثم يمكن تليص العجان بسهولة وتنظيفه. امسح السكين أيضاً بقطعة من القماش القطي المبلل؛ رجا ملاحظ أن كل من وعاء الخبز وسكين العجن قابلين للغسيل الآمن في غسالة الأطباق.
3. الغطاء والنافذة: نظف داخل وخارج الغطاء بقطعة من القماش المندى بالماء.
4. المبيت: امسح بلطف السطح الخارجي للمبيت بقطعة من القماش المبلل. لا تستخدم أية منظفات كاشطة؛ حيث قد يتسبب ذلك في خفض اللامعية العالية لسطح الجهاز. لاتغمر، على الإطلاق، المبيت في الماء بغرض تنظيفه.
5. قبل تعبئة جهاز صنع الخبز بغرض تخزينه؛ تأكد من أن الجهاز قد تم تربيده بشكل كامل، وأنه نظيف وجاف، وضع الملعقة وسكين العجن في الدرج، وتأكد كذلك من غلق الغطاء.

البيانات التقنية:

240-220 فولت، 50 هرتز، 850 وات

التخلص من الجهاز بطريقة صديقة للبيئة

يمكنك المساعدة في حماية البيئة! رجا تذكر احترام القوانين المحلية: سلم الأجهزة الكهربائية التي لاتعمل إلى مركز مناسب للتخلص من المخلفات.

INSTRUCTION MANUAL

Read this booklet thoroughly before using and save it for future reference

IMPORTANT SAFEGUARDS:

Before using the electrical appliance, the following basic precautions should always be followed:

1. Read all instructions.
2. Before using check that the voltage of wall outlet corresponds to the one shown on the rating plate.
3. Do not operate any appliance with a damaged cord or plug or after the appliance malfunctions, or is dropped or damaged in any manner.
Return appliance to manufacturer or the nearest authorized service agent for examination, repair or electrical or mechanical adjustment.
4. Do not touch hot surfaces. Use handles or knobs.
5. To protect against electric shock do not immerse cord, plugs, or housing in water or other liquid.
6. Unplug from outlet when not in use, before putting on or taking off parts, and before cleaning.
7. Do not let cord hang over edge of table or hot surface.
8. The use of accessory attachments not recommended by the appliance manufacturer may cause injuries.
9. This appliance is not intended for use by persons (including children) with reduced physical, sensory or mental capabilities, or lack of experience and knowledge, unless they have been given supervision or instruction concerning use of the appliances by a person responsible for their safety.
10. Children should be supervised to ensure that they do not play with the appliance.
11. Do not place on or near a hot gas or electric burner, or in a heated oven.
12. Do not touch any moving or spinning parts of the machine when baking.
13. Never switch on the appliance without properly placed bread pan filled ingredients.
14. Never beat the bread pan on the top or edge to remove the pan, this may damage the bread pan.
15. Metal foils or other materials must not be inserted into the bread maker as this can give rise to the risk of a fire or short circuit.
16. Never cover the bread maker with a towel or any other material, heat and steam must be able to escape freely. A fire can be caused if it is covered by, or comes into contact with combustible material.
17. Do not operate the appliance for other than its intended use.
18. Do not use outdoors.
19. Appliances are not intended to be operated by means of an external timer or separate remote-control system.
20. Save these instructions.

Max. quantity: 800g flour and 6g yeast!

HOUSEHOLD USE ONLY**DEVICE OVERVIEW**

(see fig. 1)

1. Appliance lid
2. Viewing window
3. 2 kneading paddles
4. Baking mould
5. Control panel
6. Housing
7. Kneading paddle remover
8. Measuring cup
9. Measuring spoon

PROPER USE INTRODUCTION**PROPERTIES**

You can use the automatic bread maker to bake according to your taste.

- You can choose from among 12 different baking programs.
- You can use ready-to-use baking mixtures.
- You can knead noodle dough or roll dough and make jam.
- With the „gluten-free“ baking program, you can successfully make gluten-free baking mixtures and recipes with gluten-free flours, such as corn flour, buckwheat flour and potato flour.

CONTROL PANEL (see fig. 2)**A. Display**

1. Display for selection of the weight (750g, 1000g, 1250g)
2. The remaining baking time in minutes and the programmed time
3. The selected degree of browning (Lower → Medium → Dark → Rapid)
4. The selected program number
5. The program processing sequence

B. MENU

Load the desired baking program. The program number and the corresponding baking time appear on the display.

Important:

When pressing all touch buttons an acoustic signal must be audible, unless the appliance is in operation.

C. LOAF SIZE

Select the gross weight (750g, 1000g, 1250g). Press the button enough times until the marking appears beneath the desired weight.

Note:

The default setting upon activation of the appliance is 1250g. The program 6, 7, 11 and 12 can not adjust the loaf size.

D. DELAY TIMER

Time-delayed baking.

E. COLOR

Select the degree of browning (Lower → Medium → Dark → Rapid). Press the button of Color enough times until a marking appears above the desired degree of browning. The baking time changes depending on the

selected level of browning. For baking programs 1-4 you can activate rapid mode by pressing the button until the triangle indicates the rapid program. The program 6, 7, and 11 can not select the color setting.

F. START/STOP

To start and stop the operation or to delete a set timer. To interrupt operation, briefly press the Start/Stop button, until an acoustic signal is heard and the time flashes on the display. By pressing the Start/Stop button again operation can be resumed. If you do not press the Start/Stop manually, the machine will resume to process program automatically after 10 minutes. To finish operation and delete the settings, press the Start/Stop button for 3 seconds until one long acoustic signals are audible.

Note:

Do not press the Start/Stop button, if you only want to check the state of your bread.

MEMORY FUNCTION

When being switched on again after a power failure of up to approx. 10 minutes, the program will continue from the same point. This does not apply, however, when you cancel/terminate the baking process by pressing the Start/Stop button for 3 seconds.

WINDOW

You can check the baking process through the window.

BAKING PROGRAMS

You select the desired program by pressing the button menu. The corresponding program number is showed on the display. The baking time depends on the selected Program combinations. See chapter „Program sequence“.

BAKING PROGRAM 1: BASIC

For white and mixed breads mainly consisting of wheat flour or rye flour. The bread has a compact consistency. You can adjust the degree of browning of the bread via the button Color.

BAKING PROGRAM 2: FRENCH

For light breads made from fine flour. Normally the bread is fluffy and has a crispy crust. This is not suitable for baking recipes requiring butter, margarine or milk.

BAKING PROGRAM 3: WHOLE WHEAT

For breads with heavy varieties of flour that require a longer phase of kneading and rising (for example, whole wheat flour and rye flour). The bread will be more compact and heavy.

BAKING PROGRAM 4: SWEET

For breads with additives such as fruit juices, grated coconut, raisins, dry fruits, chocolate or added sugar. Due to a longer phase of rising the bread will be light and airy.

BAKING PROGRAM 5: SUPER RAPID

Kneading, rise and baking in a very fast way. But the baked bread is the most rough among all bread menus.

BAKING PROGRAM 6: DOUGH

For preparing the yeast dough for buns, pizza or plaits. In this program no baking is done.

BAKING PROGRAM 7: PASTE DOUGH

For preparing noodle dough. In this program no baking is done.

BAKING PROGRAM 8: BUTTERMILK BREAD

For breads made with buttermilk or yoghurt.

PROGRAM 9: GLUTEN FREE

For breads of gluten-free flours and baking mixtures. Gluten-free flours require longer for the uptake of liquids and have different rising properties.

BAKING PROGRAM 10: CAKE

Kneading, rise and baking, but rise with soda or baking powder

PROGRAM 11: JAM

For making jams.

PROGRAM 12: BAKE

For additional baking of breads that are too light or not baked through. In this program there is no kneading or resting. The bread will be kept warm for nearly an hour after the end of the baking operation. This prevents the bread from becoming too moist.

- To prematurely terminate this function press the Start/Stop button for three seconds, until one long acoustic signals are heard. To switch off the appliance, disconnect the appliance from the power supply.

In programs 1, 2, 3, 4, 5, 6, 8 and 9 hurried acoustic signal sounds during the program sequence. Soon thereafter, add the ingredients such as fruits or nuts. And the "ADD" letter will appear. The ingredients are not chopped by the kneading paddle.

If you have set the delayed timer, you can put all the ingredients into the baking mould at the beginning. In this case, however, fruits and nuts should be cut into smaller pieces.

SETTING THE TIMER

The timer function enables delayed baking. Using the arrow keys < and >, set the desired end time for the baking operation. Select a program. The display indicates the required baking time. Using the arrow key < and > you can change the end time of baking operation in steps of 10 minutes to a later point of time. Keep the arrow key pressed to carry out this function faster. The display shows the total duration of baking time and the delayed time. If you overshoot while changing the time, you can correct it using the arrow key < and >. Confirm the timer setting by means of the Start/Stop button. The colon on the display flashes and the programmed time starts to run. When the baking process has been completed, ten acoustic signals are issued and the display indicates 0:00.

Example:

It is 8 a.m. and you would like fresh bread in 7 hours 15 minutes at 3.15 p.m. First select program 1, then

press the timer button until 7:15 appears on the display, as the time until the bread is finished is 7 hours 15 minutes. Note that the Timer function may not be available in jam program.

Note

Do not use the timer function when working with quickly spoiling ingredients such as eggs, milk, cream or cheese.

BEFORE BAKING

For a successful baking process, please consider the following factors:

INGREDIENTS

- Take the baking mould out of the housing, before putting in the ingredients.
If ingredients reach the baking area, a fire may be caused by them heating up on the heating elements.
- Always put the ingredients in the stated order into the baking mould.
- All ingredients should have room temperature to maintain an optimal rising result of the yeast.
- Measure the ingredients precisely. Even negligible deviations from the quantities specified in the recipe may affect the baking results.

Note

Never use larger quantities than those specified. Too much dough can rise out of the baking mould and drop onto the hot heating elements, causing a fire. Max. 800g flour and 6g yeast!

BAKING BREAD PREPARATION

Observe the safety instructions in this manual. Place the bread machine on an even and firm base.

1. Pull the baking mould upward out of the appliance.
2. Push the kneading paddles onto the drive shafts in the baking mould. Make sure they are firmly in place.
3. Put the ingredients for your recipe in the stated order into the baking mould. First add the liquids, sugar and salt, then the flour, adding the yeast as the last ingredient.

Note: Make certain that yeast does not come into contact with salt or liquids.
The maximum quantities of the flour and yeast which may be used refer to the recipe.

4. Place the baking mould back in the appliance. Make sure that it is positioned properly.
5. Close the appliance lid.
6. Plug the power plug into the socket. An acoustic signal sounds and the display indicates the program number and the duration of the normal program 1.
7. Select your program with the menu button. Each input is confirmed by an acoustic signal.
8. Select the color of your bread. The marking on the display shows whether you have chosen light,

medium or dark. You can also select the setting „Rapid“ to shorten the baking time.

Note

For programs 6,7,11, the functions „browning degree“ and „Rapid“ are not available.

9. You now have the possibility of setting the finish time of your program via the timer function. You can enter a maximum delay of up to 15 hours.

Note

This delayed function is not available for program 11.

STARTING A PROGRAM

Now start the program using the Start/Stop button. The program will automatically run various operations. You can watch the program sequence via the window of your bread baking machine. Occasionally, condensation may occur during baking in the window. The appliance lid can be opened during kneading.

Note

Do not open the appliance lid during baking. The bread can collapse.

Tip: After 5 minutes of kneading, check the consistency of the dough. It should be a soft, sticky lump. If it is too dry, add some liquid to it. If it is too moist, add some flour (1/2 to 1 teaspoon one or more times, as needed).

ENDING A PROGRAM

When the baking process has been completed, ten acoustic signals are issued and the display indicates 0:00. At the end of the program the appliance automatically changes to a warming mode for up to 60 minutes. In this mode, warm air circulates inside the appliance. You can prematurely terminate the warming function by keeping the Start/Stop button pressed until two acoustic signals are heard.

WARNING

Before opening the appliance lid, pull the power plug out of the wall socket. When not in use, the appliance should never be plugged in!

TAKING OUT THE BREAD

When taking out the baking mould, always use pot holders or oven gloves. Hold the baking mould tilted over a grid and shake lightly until the bread slides out of the baking mould. If the bread does not slip off the kneading paddles, carefully remove the kneading paddles using the enclosed kneading paddle remover.

Note

Do not use any metal objects that may lead to scratches on the non-stick coating. After removing the bread, immediately rinse the baking mould with warm water. This prevents the kneading paddles from sticking to the driving shaft.

Tip: If you remove the kneading paddles after the last kneading of the dough, the bread will remain intact when you remove it from the baking mould.

- Briefly press the Start/Stop button, to interrupt the baking process or pull the power plug out of the wall socket.
- Open the appliance lid and take out the baking mould. You can take the dough out with floured hands and remove the kneading paddles.
- Replace the dough and close the appliance lid.
- Push the plug back into the wall socket and press the Start/Stop button. The baking program is continued. Let the bread cool for 15-30 minutes before eating. Before cutting bread, make sure that no kneading paddle is still in the baking mould.

Warning

Do not attempt to start operating the bread maker, before it has either cooled down or warmed up. If the display shows “HHH” after the program has been started, it means that the temperature inside of bread pan is too high. You should stop the program and unplugged the power outlet immediately. Then open the lid and let the machine cool down completely before using again (except the program of BAKE and JAM). If the display shows “LLL” after the program has been started, it means that the temperature inside of bread pan is too low. You should place the bread maker on a higher environment for using(except the program of BAKE and JAM). If the display shows “EE0” after you have pressed Start/Stop button, it means the temperature sensor open circuit, please check the sensor carefully by Authorized expert. If the display shows “EE1”, it means the temperature sensor short circuit.

CLEANING AND MAINTENANCE

Disconnect the machine from the power and let it cool down prior to cleaning.

IMPORTANT

The parts and accessories of the appliance should not be washed in a dish washing machine.

1. bread pan: Rub inside and outside with a damp cloth. Do not use any sharp or abrasive agents for the consideration of protecting the non-stick coating. The pan must be dried completely prior to installing.
2. kneading blade: If the kneading bar is difficult to remove from the axle, In such an event fill the Container with warm water and allow it to soak for approx. 30 minutes. The kneader can then be easily removed for cleaning. Also wipe the blade carefully with a cotton damp cloth, Please note both the bread pan and kneading blade are dishwashing safe components.
3. lid and window: clean the lid inside and outside with a slightly damp cloth.
4. Housing: gently wipe the outer surface of housing with a wet cloth. Do not use any abrasive cleaner to clean as this would degrade the high polish of the surface. Never immerse the housing into water for cleaning.

5. Before the bread maker is packed away for storage, ensure that it has completely cooled down, is clean and dry, and the lid is closed.

TECHNICAL DATA:

220-240V ~ 50Hz • 850W



Environment friendly disposal: You can help protect the environment! Please remember to respect the local regulations: hand in the non-working electrical equipments to an appropriate waste disposal center.

WORKING TIME

Keep warm time 60 min, pre-programmable time up to 15 hours

Program	1.BASIC						2.FRENCH						3.WHOLE WHEAT					
	Light/medium/dark			RAPID			Light/medium/dark			RAPID			Light/medium/dark			RAPID		
Crust color	1250g	1000g	750g	1250g	1000g	750g	1250g	1000g	750g	1250g	1000g	750g	1250g	1000g	750g	1250g	1000g	750g
Loaf size	1250g	1000g	750g	1250g	1000g	750g	1250g	1000g	750g	1250g	1000g	750g	1250g	1000g	750g	1250g	1000g	750g
Working time	03:15	03:05	02:58	02:25	02:20	02:14	03:25	03:18	03:13	02:30	02:25	02:18	03:35	03:25	03:18	02:35	02:30	02:24
Preheat	20	15	15	0	0	0	15	10	10	-	-	-	20	15	15	0	0	0
Knead 1	13	13	12	13	13	12	15	12	12	13	13	12	12	12	11	13	13	11
Rise 1	25	25	25	10	10	10	20	20	20	10	10	10	30	30	30	10	10	10
Knead 2	12	12	10	9	9	8	15	15	13	9	9	8	15	15	13	9	9	9
Rise 2	30	30	30	18	18	18	35	41	43	18	18	18	38	38	38	23	23	23
Rise 3	30	30	30	30	30	30	35	35	35	30	30	30	35	35	35	35	35	35
Bake	65	60	56	65	60	56	70	65	60	70	65	60	65	60	56	65	60	56
Add fruit	02:10	02:05	02:01	01:58	01:53	01:49	02:28	02:29	02:26	02:03	01:58	01:53	02:26	02:21	02:17	02:08	02:03	01:59

Program	4.SWEET						5.SUPER RAPID			8.BUTTER MILK			9.GLUTEN FREE		
	Light/medium/dark			RAPID			Light/medium/dark			Light/medium/dark			Light/medium/dark		
Crust color	1250g	1000g	750g	1250g	1000g	750g	1250g	1000g	750g	1250g	1000g	750g	1250g	1000g	750g
Loaf size	1250g	1000g	750g	1250g	1000g	750g	1250g	1000g	750g	1250g	1000g	750g	1250g	1000g	750g
Working time	03:10	03:01	02:56	02:20	02:16	02:10	1:20	01:18	01:15	03:30	03:21	03:17	02:25	02:20	02:14
Preheat	15	10	10	0	0	0	-	-	-	30	25	25	0	0	0
Knead 1	12	12	12	12	12	11	8	8	8	10	10	10	13	13	12
Rise 1	25	25	25	10	10	10	-	-	-	20	20	20	10	10	10
Knead 2	13	13	12	10	10	8	7	7	7	15	15	15	9	9	8
Rise 2	35	35	35	18	18	18	0	0	0	45	45	45	18	18	18
Rise 3	30	30	30	30	30	30	-	-	-	30	30	30	30	30	30
Bake	60	56	52	60	56	52	45	43	40	60	56	52	65	60	56
Add fruit	02:11	02:07	02:03	01:54	01:50	01:46	01:10	01:08	01:05	02:23	02:19	02:15	01:58	01:53	01:49

Dough programs

Program	6.DOUGH	7.PASTA DOUGH
Loaf size	750-1250 g	750-1250 g
Working time	01:50	00:15
Preheat	10	-
Knead 1	12	15
Rise 1	10	-
Knead 2	8	0
Rise 2	25	0
Rise 3	45	-
Add fruit	01:15	-
Delay time	15 hour	15hour

Program	10.CAKE			11.JAM	12.BAKE
Crust color	Light/medium/dark			-	Light/medium/dark
Loaf size	1250g	1000g	750g	-	-
Working time	01:40	01:35	01:30	01:20	01:00
Knead 1	15	15	15	45	0
Bake	70	65	60	20	60
Keep warm	60	60	60	-	60
Delay time	15hour	15hour	15hour	-	15hour

BEDIENUNGSANLEITUNG

Bitte lesen Sie die Bedienungsanleitung vor Inbetriebnahme des Geräts sorgfältig durch und bewahren sie diese für späteres Nachschlagen auf.

WICHTIGE SICHERHEITSHINWEISE:

Beim Gebrauch des Geräts sollten nachstehende Sicherheitshinweise stets befolgt werden:

- Bitte lesen Sie alle Bedienungsanweisungen.
- Schließen Sie den Brotbackautomat nur an eine vorschriftsmäßig installierte Schutzkontaktsteckdose an. Die Netzspannung muss der auf dem Typenschild angegebenen Spannung entsprechen.
- Betreiben Sie das Gerät nicht mit beschädigtem Netzkabel oder -stecker, wenn es heruntergefallen oder anderweitig beschädigt ist. Wenden Sie sich mit Überprüfung, Einstellung und Reparatur an einen autorisierten Kundendienst.
- Die Gehäuseoberflächen und die Dampfaustrittsöffnung sind im Betrieb heiß. Berühren Sie keine heißen Geräteteile und benutzen Sie unbedingt Topflappen oder Ofenhandschuhe bei der Brotentnahme!
- Tauchen Sie Gerät, Netzkabel oder -stecker nicht in Wasser oder sonstige Flüssigkeiten ein, um einen Stromschlag zu vermeiden.
- Bei Nichtbenutzung, vor dem Ansetzen oder Abnehmen von Zubehörteilen und vor dem Reinigen ziehen Sie bitte den Netzstecker.
- Lassen Sie das Netzkabel nicht herunterhängen oder heiße Oberflächen berühren.
- Die Benutzung von nicht Original Zubehörteilen kann zu Verletzungen führen.
- Benutzung nicht durch unbeaufsichtigte Personen (einschließlich Kinder) mit verminderten körperlichen, sensorischen oder geistigen Fähigkeiten oder unerfahren im Umgang mit diesem Gerät.
- Kinder erkennen nicht die Gefahren, die beim Umgang mit Elektrogeräten entstehen können. Deshalb das Gerät nur außerhalb der Reichweite von Kindern benutzen.
- Stellen Sie das Gerät nicht auf oder in der Nähe von heißen Kochplatten oder in einem vorgewärmten Ofen auf.
- Berühren Sie während des Betriebs keine beweglichen Teile.
- Schalten Sie das Gerät nicht ohne eingesetzte und mit Teig gefüllte Brotform ein.
- Schlagen Sie die Brotform nicht auf und schlagen Sie auch nicht auf die Brotform, das kann zu Schäden führen.
- Bringen Sie keine metallischen Gegenstände oder Folie in das Gerät ein, um Feuer und Kurzschluss zu vermeiden.
- Decken Sie den Brotbackautomat nicht ab, Hitze und Dampf müssen frei entweichen können. Nichtbeachtung kann zu Feuer führen.

- Benutzen Sie das Gerät nur für seinen Bestimmungszweck.
- Nicht im Freien benutzen.
- Steuern Sie das Gerät nicht über eine externe Zeitschaltuhr oder ein ähnliches Fernwirkssystem.
- Bewahren Sie diese Gebrauchsanweisung auf.

Maximale Menge: 800g Mehl und 6g Hefe! NUR FÜR DEN HEIMGEBRAUCH

IHR BROTTBACKAUTOMAT (siehe Abb. 1)

- Deckel
- Sichtfenster
- 2 Knethaken
- Backform
- Bedienfeld
- Gerätegehäuse
- Haken für Knethaken
- Messbecher
- Messlöffel

BEDIENUNGSHINWEISE**FUNKTIONEN**

Mit diesem Brotbackautomaten backen Sie Brot ganz nach Ihrem Geschmack.

- Sie haben die Auswahl zwischen 12 Backprogrammen.
- Sie können Fertigteig benutzen.
- Nudelteig oder Brötchenteig oder Marmelade kochen.
- Mit dem „GLUTEN FREE“ Backprogramm backen Sie glutenfreie Backmischungen und Rezepte mit glutenfreiem Mehl, wie beispielsweise Maismehl, Buchweizen- oder Kartoffelmehl.

BEDIENFELD (siehe Abb. 2)**A. DISPLAY**

- Auswahl des Gewichts (750g, 1000g, 1250g)
- Verbleibende Backzeit in Minuten und programmierte Zeit
- Bräunungsgrad (Lower → Medium → Dark → Rapid)
- Gewähltes Backprogramm
- Backfortschritt

B. MENÜ

Stellen Sie das gewünschte Backprogramm ein. Die Programmnummer und die entsprechende Backzeit werden angezeigt.

Wichtiger Hinweis:

Die Tasten geben bei Berührung einen Signalton ab, es sei denn, das Gerät ist in Betrieb.

C. LAIBGRÖSSE

Wählen Sie das Bruttogewicht (750g, 1000g oder 1250g). Drücken Sie mehrfach die Taste, bis die Markierung unter dem gewünschten Gewicht angezeigt wird.

Hinweis:

Die Standardeinstellung nach dem Einschalten des Geräts ist 1250g. Im Programm 6, 7, 11 und 12 kann das Gewicht nicht eingestellt werden.

D. VERZÖGERUNGS-TIMER

Zeitverzögertes Backen.

E. BRÄUNUNG

Wählen Sie die Bräunung (Lower → Medium → Dark → Rapid). Drücken Sie mehrfach die Taste, bis die Markierung unter der gewünschten Bräunung angezeigt wird. Die Backzeit ändert sich entsprechend der Bräunung. Für die Backprogramme 1-4 können Sie den Schnellmodus durch Tastendruck aktivieren, bis die Markierung das Schnellprogramm anzeigt. Die Programme 6, 7 und 11 haben keine Auswahl der Bräunung.

F. START/STOPP

Starten und unterbrechen der Programme oder löschen eines eingestellten Timers. Drücken Sie zur Unterbrechung des Backprogramms kurz Start/Stop, bis Sie einen Signalton hören und die Zeitanzeige blinkt. Mit erneutem Tastendruck auf Start/Stop wird das Backprogramm fortgesetzt. Drücken Sie Start/Stop nicht, so setzt der Brotbackautomat das Programm automatisch nach 10 Minuten fort. Nach dem Backen oder zum Löschen aller Einstellungen halten Sie Start/Stop für 3 Sekunden gedrückt, bis Sie einen langen Signalton hören.

Hinweis:

Drücken Sie nicht Start/Stop, wenn Sie nur den Fortschritt des Backprogramms prüfen wollen.

SPEICHER

Schalten Sie das Gerät innerhalb von 10 Minuten nach einem Stromausfall wieder ein, so wird das Backprogramm von gleicher Stelle aus fortgesetzt. Das gilt jedoch nicht, wenn Sie das Programm mit 3 Sekunden Tastendruck auf Start/Stop beenden/unterbrechen.

SICHTFENSTER

Überprüfen Sie hier den Fortschritt des Backprogramms.

BACKPROGRAMME

Wählen Sie das gewünschte Programm mit der Menütaste. Die entsprechende Programmnummer wird angezeigt. Die Backzeit ist von den gewählten Programmkombinationen abhängig, siehe Abschnitt „Programmablauf“.

BACKPROGRAMM 1: REGULAR (BASIC)

Für Weißbrot und Mischbrot hauptsächlich mit Weizen- oder Roggenmehl. Das Brot ist kompakt. Sie können die Bräunung mit der Taste Color einstellen.

BACKPROGRAMM 2: FRENCH

Für leichtes Brot aus feinem Mehl. Das Brot ist locker und knusprig. Nicht geeignet für Rezepte mit Butter, Margarine oder Milch.

BACKPROGRAMM 3: WHOLE WHEAT

Für Brot mit schwerem Mehl, das länger geknetet werden und aufgehen muss (beispielsweise Vollweizen- oder Roggenmehl). Das Brot ist kompakt und schwerer.

BACKPROGRAMM 4: SWEET

Für Brot mit Zusätzen wie Fruchtsaft, gemahlener Kokosnuss, Rosinen, getrockneten Früchten, Schokolade oder zusätzlichem Zucker. Aufgrund der längeren Aufgehzeit ist das Brot leicht und locker.

BACKPROGRAMM 5: SUPER RAPID

Kneten, aufgehen und backen mit Hochgeschwindigkeit. Das Brot ist recht grob.

BACKPROGRAMM 6: DOUGH

Zur Vorbereitung des Hefeteigs für Brötchen, Pizza oder Zöpfe. In diesem Pprogramm wird nicht gebacken.

BACKPROGRAMM 7: PASTE DOUGH

Zur Vorbereitung von Nudelteig. In diesem Programm wird nicht gebacken.

BACKPROGRAMM 8: BUTTERMILK BREAD

Für Brot mit Zusatz von Buttermilch oder Joghurt.

PROGRAMM 9: GLUTEN FREE

Für Brot aus glutenfreiem Mehl und Backmischungen. Glutenfreies Mehl benötigt länger zur Aufnahme der Flüssigkeiten und geht anders auf.

BACKPROGRAMM 10: CAKE

Kneten, aufgehen und backen, jedoch mit Soda oder Backpulver.

PROGRAMM 11: JAM

Zubereitung von Marmelade.

PROGRAMM 12: BAKE

Für weiteres Backen von Brot, das zu hell oder nicht durchgebacken ist. In diesem Programm wird nicht geknetet, kein Aufgehen. Das Brot wird für knapp eine Stunde nach dem Backen warm gehalten. Hiermit wird verhindert, dass das Brot zu feucht wird.

- Zur vorzeitigen Unterbrechung dieser Funktion halten Sie Start/Stop für 3 Sekunden gedrückt, bis Sie einen langen Signalton hören. Zum Ausschalten des Brotbackautomaten ziehen Sie bitte den Netzstecker.

In den Programmen 1, 2, 3, 4, 5, 6, 8 und 9 erfolgen kurze Signaltöne während des Programm-ablaufs. Kurz danach fügen Sie die Zutaten wie Früchte oder Nüsse hinzu. Im Display wird „ADD“ angezeigt. Die Zutaten werden durch die Knehtaken nicht zerkleinert.

Nutzen Sie den Verzögerungs-Timer, so geben Sie alle Zutaten sofort in die Backform. In diesem Fall sollten Sie jedoch Früchte und Nüsse in kleinere Stücke schneiden.

EINSTELLEN DES TIMERS

Mit dem Timer können Sie das Backen verzögert starten. Mit den Pfeiltasten < und > stellen Sie das gewünschte Ende der Backzeit ein, zu der Sie das Brot herausnehmen möchten. Wählen Sie das Backprogramm, das Display zeigt die benötigte Backzeit an. Mit der Pfeiltaste < und > stellen Sie das Endezeit des Backen in 10-Minuten-Schritten ein. Halten Sie die Taste gedrückt, um die Einstellung schneller vorzunehmen. Im Display wird die Gesamtdauer und die Verzögerungszeit angezeigt. Bei Fehleingaben korrigieren Sie die Zeiteinstellung mit < und >. Bestätigen Sie die Timer-Einstellung mit Start/Stop. Der Doppelpunkt der Zeit blinkt und die Programmzeit läuft. Nach Beendigung des Backvorgangs hören Sie zehn Signaltöne, die Zeitanzeige ist 0:00.

Beispiel:

Es ist jetzt 08:00 Uhr und Sie wollen das Brot in 7 Stunden und 15 Minuten um 15:15 Uhr fertig haben. Wählen Sie Programm 1, dann stellen Sie den Timer als Fertigstellungszeit nach 7 Stunden und 15 Minuten auf 7:15 ein. Für das Marmeladeprogramm haben Sie keine Timerfunktion.

Hinweis

Bei Verwendung der Timerfunktion keine verderblichen Zutaten wie frische Milch, Eier, Sahne oder Käse einfüllen.

VOR DEM BACKEN

Für erfolgreiches Backen beachten Sie bitte nachstehende Hinweise:

ZUTATEN

- Nehmen Sie die Backform aus dem Gerät, bevor Sie die Zutaten einfüllen. Sollten Zutaten das heiße Heizelement berühren, so kann das zu Feuer führen.
- Füllen Sie die Zutaten stets in der angegebenen Reihenfolge ein.
- Alle Zutaten sollten Zimmertemperatur haben, um ein optimales Aufgehen der Hefe zu gewährleisten.
- Messen Sie die Zutaten genau ab. Selbst kleine Abweichungen von den Rezepten können zu negativen Backergebnissen führen.

Hinweis

Benutzen Sie keine größeren Mengen als angegeben. Zu viel Teig kann über die Backform hinaus aufgehen, das heiße Heizelement berühren und zu Feuer führen. Max. 800g Mehl und 6g Hefe!

BROT BACKEN**VORBEREITUNG**

Bitte beachten Sie die Sicherheitshinweise in dieser Bedienungsanleitung. Stellen Sie den Brotbackautomaten eben auf einer festen Arbeitsplatte auf.

1. Nehmen Sie die Backform nach oben aus dem Gerät heraus.
2. Setzen Sie die Knehtaken auf den Antrieb in der Backform. Vergewissern Sie sich, dass sie fest ansitzen.
3. Geben Sie die Zutaten für Ihr Rezept in der angegebenen Reihenfolge in die Backform. Füllen Sie zunächst die flüssigen Zutaten, Zucker und Salz ein, danach das Mehl. Geben Sie die Hefe zum Schluss hinzu.

Hinweis: Achten Sie darauf, dass die Hefe weder mit dem Salz noch mit den Flüssigkeiten in Berührung kommt.

Für die Höchstmengen Mehl und Hefe beziehen Sie sich bitte auf Ihr Rezept.

4. Setzen Sie die Backform in das Gerät zurück und vergewissern Sie sich, dass sie korrekt einsitzt.
5. Schließen Sie den Deckel.
6. Stecken Sie den Netzstecker in die Steckdose. Ein Signalton ertönt und im Display wird das Backprogramm 1 mit seiner Backzeit angezeigt.
7. Wählen Sie Ihr gewünschtes Backprogramm mit der Menütaste, jeder Tastendruck wird mit einem Signalton bestätigt.
8. Wählen Sie den Bräunungsgrad des Brotes, die Markierung wird mit Tastendruck auf leicht, mittel oder dunkel eingestellt. Zur Verkürzung der Backzeit wählen Sie „Rapid“ als Einstellung.

Hinweis:

Für die Programme 6, 7 und 11 haben Sie die Bräunungseinstellung und „Rapid“ nicht.

9. Nun können Sie das Ende der Backzeit mit dem Timer einstellen. Sie können eine Verzögerung von bis zu 15 Stunden einstellen.

Hinweis:

Die Verzögerungsfunktion haben Sie nicht für Programm 11.

STARTEN DES PROGRAMMS

Mit Start/Stop starten Sie das Programm. Das Programm führt die notwendigen Schritte automatisch aus. Sie können den Programmablauf im Sichtfenster Ihres Brotbackautomaten beobachten. Gelegentlich kann es zu Kondensation im Sichtfenster kommen. Während des Knetens kann der Deckel geöffnet werden.

Hinweis:

Öffnen Sie den Deckel nicht während des Backens, das Brot fällt dann in sich zusammen.

Tipp: Nach 5-minütigem Kneten überprüfen Sie die Beschaffenheit des Teigs. Es sollte ein weicher, klebriger Klumpen sein. Ist der Teig zu trocken, so fügen Sie etwas Flüssigkeit hinzu. Ist er zu feucht, so fügen Sie etwas Mehl hinzu (jeweils 1/2 bis 1 Teelöffel, je nach Bedarf).

PROGRAMMENDE

Nach Beendigung des Backvorgangs ertönen zehn Signaltöne und im Display wird 0:00 angezeigt. Am Ende des Programms schaltet sich das Gerät automatisch für bis zu 60 Minuten in den Warmhaltemodus um. In diesem Modus zirkuliert warme Luft innerhalb des Geräts. Sie können die Warmhaltefunktion vorzeitig mit Start/Stop ausschalten, halten Sie die Taste gedrückt, bis Sie zwei Signaltöne hören.

WARNHINWEIS

Vor dem Öffnen des Deckels ziehen Sie bitte den Netzstecker. Bei Nichtgebrauch sollte das Gerät niemals angeschlossen sein!

BROT ENTNEHMEN

Benutzen Sie beim Herausnehmen der Backform stets Ofenhandschuhe. Halten Sie die Backform über ein Gitterrost und schütteln Sie die Backform leicht, bis das Brot herausgleitet. Löst sich das Brot nicht von den Knethaken, so entnehmen Sie die Knethaken vorsichtig mit dem mitgelieferten Haken.

Hinweis:

Benutzen Sie keine Metallgegenstände, das kann zu Kratzern auf der Anti-Haftbeschichtung führen. Nach dem Herausnehmen des Brotes spülen Sie die Backform bitte unverzüglich mit warmem Wasser ab. Hiermit vermeiden Sie, dass die Knethaken am Antrieb festkleben.

Tipp: Entfernen Sie die Knethaken nach dem letzten Knetvorgang, so bleibt das Brot intakt, wenn Sie es aus der Backform nehmen.

- Drücken Sie kurz Start/Stop, um den Backvorgang zu unterbrechen oder ziehen Sie den Netzstecker.
- Öffnen Sie den Deckel und nehmen Sie die Backform heraus. Mit Mehl bestäubten Händen können Sie den Teig herausnehmen und die Knethaken entfernen.
- Geben Sie den Teig zurück und schließen Sie den Deckel.
- Stecken Sie den Netzstecker wieder in die Steckdose und drücken Sie Start/Stop, das Backprogramm wird fortgesetzt. Lassen Sie das Brot für 15-30 Minuten abkühlen, bevor Sie es essen. Vergewissern Sie sich vor dem Schneiden des Brotes, dass Sie die Knethaken entfernt haben.

Warnhinweis

Nehmen Sie den Brotbackautomaten nicht in Betrieb, wenn er sich entweder noch nicht abgekühlt oder aufgeheizt hat. Wird im Programm nach dem Start „HHH“ angezeigt, so ist die Temperatur in der Backform zu hoch. Unterbrechen Sie das Programm und ziehen Sie den Netzstecker. Öffnen Sie den Deckel und lassen Sie das Gerät vollständig abkühlen, bevor Sie es erneut benutzen (außer Programm BAKE und JAM). Wird im Display „LLL“ nach dem Programmstart angezeigt, so ist die Temperatur in der Backform zu niedrig. Stellen Sie den Brotbackautomaten höher ein (außer Programm BAKE und JAM). Wird im Display „EE0“ nach dem Programmstart angezeigt, so haben Sie eine Fehlfunktion im Temperatursensor. Wenden Sie sich bitte an einen autorisierten Kundendienst. Wird im Display „EE1“ angezeigt, so ist der Temperatursensor kurzgeschlossen.

REINIGUNG UND PFLEGE

Ziehen Sie stets den Netzstecker und warten ab, bis das Gerät vollständig abgekühlt ist, bevor Sie es reinigen.

WICHTIGER HINWEIS:

Die Teile und das Zubehör des Brotbackautomaten sind nicht spülmaschinenfest.

1. Backform: Innen und außen mit einem feuchtem Tuch abwischen. Keine Scheuermittel verwenden. Verwenden Sie keine scharfkantigen oder scheuernden Mittel, diese können die Teflon-Beschichtung beschädigen. Vor den Einsetzen muss die Backform vollkommen trocken sein.
2. Knethaken: Sitzt der Knethaken fest, so füllen Sie die Backform für 30 Minuten mit lauwarmem Wasser. In lauwarmem Wasser abseifen und gut abspülen, keine Scheuermittel und kein heißes Wasser verwenden. Vor den Einsetzen gut abtrocknen.
3. Deckel und Sichtfenster: Gerät innen und außen mit einem weichem Tuch abwischen.
4. Gerätegehäuse: Gerät innen und außen mit einem weichen, feuchten Tuch abwischen. Benutzen Sie keine Scheuermittel. Das Gerät zum Reinigen nicht in Wasser eintauchen.
5. Vor dem Aufbewahren achten Sie bitte darauf, dass Ihr Brotbackautomat vollständig abgekühlt, sauber und trocken ist. Der Deckel sollte geschlossen sein.

TECHNISCHE DATEN:

220-240V ~ 50Hz • 850W



Entsorgung: Helfen Sie mit beim Umweltschutz! Entsorgen Sie Elektroaltgeräte nicht mit dem Hausmüll. Geben Sie dieses Gerät an einer Sammelstelle für Elektroaltgeräte ab.

PROGRAMMZEITEN

Warmhaltezeit 60 min, vorprogrammierbare Zeit bis zu 15 Stunden

Programm	1.BASIC						2.FRENCH						3.WHOLE WHEAT					
	Light/medium/dark			RAPID			Light/medium/dark			RAPID			Light/medium/dark			RAPID		
Leibgröße	1250g	1000g	750g	1250g	1000g	750g	1250g	1000g	750g	1250g	1000g	750g	1250g	1000g	750g	1250g	1000g	750g
Programmdauer	03:15	03:05	02:58	02:25	02:20	02:14	03:25	03:18	03:13	02:30	02:25	02:18	03:35	03:25	03:18	02:35	02:30	02:24
Aufheizen	20	15	15	0	0	0	15	10	10	-	-	-	20	15	15	0	0	0
Kneten 1	13	13	12	13	13	12	15	12	12	13	13	12	12	12	11	13	13	11
Gehen 1	25	25	25	10	10	10	20	20	20	10	10	10	30	30	30	10	10	10
Kneten 2	12	12	10	9	9	8	15	15	13	9	9	8	15	15	13	9	9	9
Gehen 2	30	30	30	18	18	18	35	41	43	18	18	18	38	38	38	23	23	23
Gehen 3	30	30	30	30	30	30	35	35	35	30	30	30	35	35	35	35	35	35
Backen	65	60	56	65	60	56	70	65	60	70	65	60	65	60	56	65	60	56
Früchtezugabe	02:10	02:05	02:01	01:58	01:53	01:49	02:28	02:29	02:26	02:03	01:58	01:53	02:26	02:21	02:17	02:08	02:03	01:59

Programm	4.SWEET						5.SUPER RAPID			8.BUTTER MILK			9.GLUTEN FREE		
	Light/medium/dark			RAPID			Light/medium/dark			Light/medium/dark			Light/medium/dark		
Leibgröße	1250g	1000g	750g	1250g	1000g	750g	1250g	1000g	750g	1250g	1000g	750g	1250g	1000g	750g
Programmdauer	03:10	03:01	02:56	02:20	02:16	02:10	1:20	01:18	01:15	03:30	03:21	03:17	02:25	02:20	02:14
Aufheizen	15	10	10	0	0	0	-	-	-	30	25	25	0	0	0
Kneten 1	12	12	12	12	12	11	8	8	8	10	10	10	13	13	12
Gehen 1	25	25	25	10	10	10	-	-	-	20	20	20	10	10	10
Kneten 2	13	13	12	10	10	8	7	7	7	15	15	15	9	9	8
Gehen 2	35	35	35	18	18	18	0	0	0	45	45	45	18	18	18
Gehen 3	30	30	30	30	30	30	-	-	-	30	30	30	30	30	30
Backen	60	56	52	60	56	52	45	43	40	60	56	52	65	60	56
Früchtezugabe	02:11	02:07	02:03	01:54	01:50	01:46	01:10	01:08	01:05	02:23	02:19	02:15	01:58	01:53	01:49

Teigprogramme

Programm	6.DOUGH	7.PASTA DOUGH
Leibgröße	750-1250 g	750-1250 g
Programmdauer	01:50	00:15
Aufheizen	10	-
Kneten 1	12	15
Gehen 1	10	-
Kneten 2	8	0
Gehen 2	25	0
Gehen 3	45	-
Früchtezugabe	01:15	-
Vorwahlzeit	15 hour	15hour

Programm	10.CAKE			11.JAM	12.BAKE
Kruste	Light/medium/dark			-	Light/medium/dark
Leibgröße	1250g	1000g	750g	-	-
Programmdauer	01:40	01:35	01:30	01:20	01:00
Kneten 1	15	15	15	45	0
Backen	70	65	60	20	60
Warmhalten	60	60	60	-	60
Vorwahlzeit	15hour	15hour	15hour	-	15hour

РУКОВОДСТВО ПО ЭКСПЛУАТАЦИИ

УСТРОЙСТВО ДЛЯ ВЫПЕЧКИ ХЛЕБА ПРЕДНАЗНАЧЕНИЕ

Для выпечки хлеба.

Не для коммерческого и промышленного использования.

Внимательно прочитайте данный буклет прежде, чем приступить к эксплуатации и сохраните его для дальнейшего использования в качестве справочника

ВАЖНЫЕ ПРАВИЛА ТЕХНИКИ БЕЗОПАСНОСТИ:

Прежде, чем приступить к эксплуатации электроприборов выполните следующие основные правила безопасности:

1. Прочитайте все инструкции.
2. Перед началом эксплуатации проверьте, чтобы напряжение в сети соответствовало напряжению, указанному в технических характеристиках к прибору.
3. Не используйте прибор, если поврежден сетевой кабель или вилка, если устройство работает некорректно, упало или было повреждено каким-либо образом. Обратитесь к производителю прибора или в ближайший авторизованный сервисный центр для проверки, ремонта или настройки электрики и механики прибора.
4. Не касайтесь горячих поверхностей. Используйте ручки или кнопки.
5. Во избежание поражения электрическим током не избегайте погружения в воду или другую жидкость шнура, вилки или корпуса прибора.
6. Отключайте прибор от сети, если вы его не используете, прежде чем установить или снять детали и перед очисткой прибора.
7. Не допускайте свешивания кабеля с края стола или попадания на горячую поверхность.
8. Использование приспособлений, не рекомендованных производителем прибора, может привести к повреждениям.
9. Данный прибор не предназначен для использования людьми с ограниченными физическими, психическими и умственными возможностями, детьми, а также теми, у кого недостаточно опыта и знаний, если только под строгим контролем и с инструкциями по использованию прибора со стороны лица, отвечающего за безопасность вышеназванных людей.
10. Следите за детьми, чтобы они не играли с прибором.
11. Не размещайте прибор на или вблизи горячей газовой или эклектической плиты или в разогретом духовом шкафу.

12. Не касайтесь движущихся или вращающихся деталей прибора во время работы.
13. Никогда не включайте прибор до того, как установите должным образом форму для хлеба, в которые положены все ингредиенты.
14. Не бейте по форме снизу или по краю для того, чтобы извлечь из нее хлеб, это может повредить форму для хлеба.
15. Следите за тем, чтобы в хлебопечку не попали металлическая фольга или другие материалы, это может привести к возгоранию и возникновению короткого замыкания.
16. Никогда не накрывайте хлебопечку полотенцем или другими подобными материалами, которые могут препятствовать свободному выходу тепла и пара. Это может привести к возгоранию.
17. Используйте хлебопечку только по назначению.
18. Не используйте на открытом воздухе.
19. Устройства не предназначены для работы с внешним таймером или отдельной системой дистанционного управления.
20. Сохраните данное руководство.

**Максимум. Количество: 800г муки и 6г дрожжей!
ТОЛЬКО ДЛЯ ДОМАШНЕГО ИСПОЛЬЗОВАНИЯ**

ВНЕШНИЙ ВИД УСТРОЙСТВА

(См. Рис. 1)

1. Крышка устройства
2. Смотровое окно
3. 2 месильные лопасти
4. Форма для хлеба
5. Панель управления
6. Корпус
7. Крючок для извлечения месильной лопасти
8. Мерная чашка
9. Мерная ложка

НАДЛЕЖАЩЕЕ ИСПОЛЬЗОВАНИЕ ХАРАКТЕРИСТИКИ

Вы можете использовать автоматическую хлебопечку для выпечки по своему вкусу.

- Вы можете выбрать любую из 12 различных программ выпечки
- Вы можете использовать готовые смеси для выпечки
- Вы можете замешивать тесто для лапши или роллов и делать джем
- С помощью программы выпечки из безглютеновой муки вы можете успешно делать смеси для выпечки и рецепты с безглютеновой мукой, такой как кукурузная мука, гречневая мука и картофельная мука.

ПАНЕЛЬ УПРАВЛЕНИЯ (См. Рис. 2)

A. ДИСПЛЕЙ

1. Отображение выбора веса (750g, 1000g, 1250g)
2. Оставшееся время выпечки в минутах и запрограммированное время
3. Выбранный цвет (интенсивность поджаривания корочки)
(Светлый (Lower) → Средний (Medium) → Темный (Dark) → Быстрый (Rapid))
4. Номер выбранной программы
5. Последовательность выполнения программ

B. МЕНЮ

Ввод желаемой программы. На дисплее появляется номер программы и соответствующее время выпечки.

Важно:

При нажатии всех кнопок вы слышит звуковой сигнал, если только устройство не работает.

C. РАЗМЕР ХЛЕБА

Выбор общего веса (750g, 1000g, 1250g). Нажимайте кнопку несколько раз до появления на дисплее желаемого веса.

Примечание:

При запуске устройства по умолчанию устанавливается вес хлеба 1250g. В программах 6, 7, 11 и 12 выбор размера хлеба не доступен.

D. ТАЙМЕР ЗАДЕРЖКИ

Выпечка с задержкой по времени

E. ЦВЕТ

Выбор цвета корочки (Lower → Medium → Dark → Rapid). Нажимайте кнопку Color несколько раз, пока над желаемым цветом не появится отметка. Для программ выпечки 1-4 вы можете выбрать быстрый режим. В программах 6, 7 и 11 выбор цвета недоступен.

F. СТАРТ/СТОП

Начало и завершение операции или сброс установленного таймера. Чтобы прервать операцию выполните быстрое нажатие на кнопку Start/Stop до появления звукового сигнала и мигающего времени на дисплее. Операция может быть продолжена повторным нажатием кнопки Start/Stop. Если вы не нажмете на кнопку Start/Stop, устройство автоматически продолжит выполнение программы через 10 минут. Для завершения операции и сброса установок, нажмите и удерживайте кнопку Start/Stop в течении 3 секунд до долгого звукового сигнала.

Примечание:

Не нажимайте на кнопку Start/Stop, если вы хотите проверить состояние хлеба.

ФУНКЦИЯ ПАМЯТИ

После сбоя питания, при повторном включении примерно через 10 минут выполнение программ продолжится с того же места. Однако этого не произойдет, если вы отменили/прекратили процесс выпечки нажатием и удержанием кнопки Start/Stop в течение 3 секунд.

СМОТРОВОЕ ОКНО

Вы можете проверять состояние процесса выпечки через смотровое окно.

ПРОГРАММЫ ВЫПЕЧКИ.

Вы выбираете желаемую программу, нажимая кнопку Menu. На дисплее отображается соответствующий номер программы. Время выпечки зависит от выбранной комбинации программ (см. главу «Последовательность программ»).

ПРОГРАММА ВЫПЕЧКИ 1: ОСНОВНОЙ

Для белого и смешанного хлеба в основном состоящего из пшеничной или рисовой муки. Хлеб имеет плотную структуру. Вы можете выбрать цвет корочки при помощи кнопки Color.

ПРОГРАММА ВЫПЕЧКИ 2: ФРАНЦУЗСКИЙ

Для легкого хлеба из муки тонкого помола. Хлеб обычно получается воздушным и имеет хрустящую корочку. Эта программа не подходит для рецептов выпечки с использованием масла, маргарина или молока.

ПРОГРАММА ВЫПЕЧКИ 3: МУКА ГРУБОГО ПОМОЛА

Для хлеба с тяжелыми сортами муки, требующими длительной фазы замеса и подъема (например, пшеничная и ржаная мука грубого помола). Хлеб получается более плотным и тяжелым.

ПРОГРАММА ВЫПЕЧКИ 4: СЛАДКИЙ

Для хлеба с такими добавками, как фруктовые соки, кокосовая стружка, изюм, сухофрукты, шоколад или дополнительный сахар. Благодаря более длительной фазе подъема хлеб получается легким и воздушным.

ПРОГРАММА ВЫПЕЧКИ 5: СВЕРХБЫСТРЫЙ

Очень быстрый замес, подъем и выпечка. Однако в этой программе хлеб получается наиболее грубым.

ПРОГРАММА ВЫПЕЧКИ 6: ТЕСТО

Для приготовления дрожжевого теста для булочек, пиццы или баранок. В этой программе отсутствует фаза выпечки.

ПРОГРАММА ВЫПЕЧКИ 7: ТЕСТО ДЛЯ ПАСТЫ

Для приготовления теста для лапши. В этой программе отсутствует фаза выпечки.

ПРОГРАММА ВЫПЕЧКИ 8: ПАХТА

Для хлеба выпекаемого с пахтой или йогуртом

ПРОГРАММА ВЫПЕЧКИ 9: БЕЗГЛЮТЕНОВЫЙ

Для хлеба из безглютеновой муки и смесей для выпечки. Безглютеновая мука требует более

длительного времени для впитывания жидкостей и отличаются характеристиками подъема.

ПРОГРАММА ВЫПЕЧКИ 10: ПИРОГ

Замес, подъем и выпечка, однако фаза подъема проходит с применением соды или соды для выпечки.

ПРОГРАММА ВЫПЕЧКИ 11: ДЖЕМ

Для приготовления джемов.

ПРОГРАММА ВЫПЕЧКИ 12: ВЫПЕЧКА

Для дополнительной выпечки слишком светлого или непропеченного хлеба. В этой программе отсутствуют фазы замеса и подъема. Хлеб будет поддерживаться теплым примерно час после завершения выпечки. Это не даст хлебу стать слишком сырым.

- Для того, чтобы преждевременно завершить эту операцию, нажмите и удерживайте кнопку Start/Stop в течение 3 секунд до появления долгого звукового сигнала. Для отключения устройства отсоедините устройства от источника питания.

В программах 1, 2, 3, 4, 5, 6, 8 и 9 во время последовательности программ звучат быстрые звуковые сигналы. Вскоре после этих сигналов, добавляйте такие ингредиенты, как фрукты или орехи. Появятся надписи «ADD». Ингредиенты не рубятся месильной лопастью.

Если вы поставили таймер задержки, вы можете положить все ингредиенты в форму перед началом выпечки. В этом случае фрукты и орехи должны быть порезаны на мелкие кусочки.

УСТАНОВКА ТАЙМЕРА

Функция таймера делает возможной выпечку с задержкой по времени. Используя клавиши < и >, установите желаемое время окончания выпечки. Выберите программу. На дисплее отобразится требуемое время выпечки. Используя клавишу < и >, вы можете изменить время окончания выпечки интервалами в 10 минут до конечной временной отметки. Держите клавишу нажатой для более быстрого использования этой функции. На дисплее отображается полное время выпечки и отложенное время. Если вы отложил слишком большое время, вы можете исправить это нажатием клавиши < и >. Подтвердите настройки таймера нажатием кнопки Start/Stop. На дисплее замигает многоточие, и пойдет отсчет заданного времени. Когда процесс выпечки завершится, прозвучит 10 звуковых сигналов и на дисплее отобразится 0:00.

Пример:

Сейчас 8 часов утра, и вы хотите получить свежий хлеб к 3:15, через 7 часов 15 минут. Сначала вы выбираете программу 1, затем нажимаете клавишу таймера, пока на дисплее не появится 7:15, так как хлеб будет приготовлен через 7 часов 15 минут. Заметьте, что функция таймера не работает в программе джема.

Примечание:

Не используйте функцию таймера при работе с быстро портящимися продуктами, такими как яйца, молоко, сливки или сыр.

ПЕРЕД ВЫПЕЧКОЙ

Для успешной выпечки, пожалуйста, соблюдайте следующие факторы:

ИНГРЕДИЕНТЫ

- Извлекайте форму из корпуса перед помещением внутрь ингредиентов. Если ингредиенты попадут в печь, может возникнуть возгорание из-за их нагрева от нагревательных элементов.
- Всегда помещайте ингредиенты в форму в указанном порядке.
- Все ингредиенты должны быть комнатной температуры, чтобы добиться оптимального эффекта подъема дрожжей.
- Точно отмеряйте количество ингредиентов. Даже незначительные отклонения от количеств, указанных в рецепте, может отрицательно сказаться результаты выпечки.

Примечание:

Никогда не используйте количества больше указанных. Слишком большое количество теста может подняться из формы для выпечки и попасть на нагревательные элементы, что приведет к возгоранию. Максимум. 800г муки и 6г дрожжей!

ВЫПЕЧКА ХЛЕБА ПОДГОТОВКА

Соблюдайте инструкции по технике безопасности, указанные в данном руководстве. Установите хлебопечку на ровную и устойчивую поверхность.

1. Выньте форму для выпечки из устройства.
2. Установите месильные лопасти на несущие валы в форме для выпечки. Убедитесь, что они прочно зафиксированы.
3. Опустите ингредиенты для вашего рецепта в указанном порядке в форму для выпечки. Сначала добавьте жидкости, сахар и соль, затем муку, и в последнюю очередь дрожжи.

Примечание: Убедитесь, что дрожжи не контактируют с солью или жидкостями. Максимальное количество муки и дрожжей зависят от рецепта.

4. Поместите форму для выпечки обратно в устройство. Убедитесь, что она правильно расположена.
5. Закройте крышку устройства.
6. Вставьте вилку сетевого шнура в розетку. Прозвучит звуковой сигнал и на дисплее отобразится номер программы и длительность нормальной программы 1.
7. Выберите программу при помощи кнопки Menu. Каждое нажатие сопровождается звуковым сигналом.

8. Выберите цвет хлеба. Отметка на дисплее показывает, выбрали ли вы светлый, средний или темный цвет. Вы также можете выбрать настройку «Rapid» для того, чтобы сократить время выпечки.

Примечание:

Для программ 6, 7, 11, функции «Выбор цвета» и «Rapid» недоступны.

9. Теперь вы можете установить время завершения программы с помощью функции таймера. Вы можете установить максимальную задержку в 15 часов.

Примечание:

Функция таймера не доступна для программы 11.

ЗАПУСК ПРОГРАММЫ

Теперь запустите программу с помощью кнопки Start/Stop.

Программа автоматически будет выполнять различные действия. Вы можете смотреть за последовательностью программ через окно вашей хлебопечки. Крышка устройства может быть открыта во время замеса.

Примечание:

Не открывайте крышку устройства во время выпечки. Хлеб может осесть.

Совет: Через 5 минут замеса, проверьте консистенцию теста. Оно должно быть мягким, липким. Если оно слишком сухое, добавьте немного жидкости. Если слишком сырое, добавьте немного муки (от ½ до 1 чайной ложки один или несколько раз, по необходимости).

ЗАВЕРШЕНИЕ ПРОГРАММЫ

Когда процесс выпечки полностью завершен, звучит 10 звуковых сигналов и на дисплее отображается 0:00. В конце программы устройство автоматически переходит в режим подогрева и находится в нем до 60 минут. В этом режиме, внутри устройства циркулирует теплый воздух. Вы можете преждевременно завершить функцию подогрева, нажав и удерживая кнопку Start/Stop, пока не прозвучат два звуковых сигнала.

ВНИМАНИЕ

Перед открытием крышки устройства, выньте вилку сетевого кабеля из розетки. Когда устройство не используется, оно не должно быть подключено к сети!

ИЗВЛЕЧЕНИЕ ХЛЕБА

Извлекая форму для хлеба, всегда пользуйтесь кухонными рукавицами или прихватками. Держите форму для выпечки под наклоном над решеткой, и легко потрясите, пока хлеб не выскользнет из формы. Если хлеб не отделяется от месильных лопастей, аккуратно удалите их приложенным крючком для извлечения месильных лопастей.

Примечание:

Не используйте металлические предметы, которые могут повредить антипригарное покрытие. После удаления хлеба, немедленно прополощите форму для хлеба в теплой воде. Это не позволит месильным лопастям прилипнуть к несущим валам.

Совет: Если вы удалите месильные лопасти после последнего замеса теста, хлеб останется неповрежденным, когда вы достанете его из формы для выпечки.

- Кратким нажатием на кнопку Start/Stop прервите процесс выпечки или отсоедините устройство от сети.
- Откройте крышку устройства и достаньте форму для выпечки. Обмакните руки в муку, достаньте тесто и извлеките месильные лопасти.
- Верните тесто и закройте крышку устройства.
- Подключите устройство к сети и нажмите кнопку Start/Stop. Процесс выпечки продолжится. Дайте хлебу остыть в течение 15-30 минут перед едой. Перед тем, как резать хлеб, убедитесь, что в нем не осталось месильной лопасти.

Внимание

Не начинайте работу с хлебопечкой, пока она не остыла либо не прогрелась. Если после начала программы на дисплее отображается «ННН», значит температура внутри устройства слишком высокая. Немедленно остановите программу и отключите устройство от сети. Затем откройте крышку устройства и дайте хлебопечке остыть перед повторным использованием (за исключением программ «Выпечка» и «Джем»). Если после запуска программы на дисплее отображается «LLL», это значит, что температура внутри устройства слишком низкая. Переведите устройство в более интенсивный режим работы для использования (за исключением программ «Выпечка» и «Джем»). Если после нажатия кнопки Start/Stop на дисплее отображается «ЕЕ0», это означает, что повреждена цепь датчика температуры, обратитесь к авторизованному специалисту для проверки датчика. Если на дисплее отображается «ЕЕ1», это означает, что произошло короткое замыкание датчика температуры.

ЧИСТКА И ОБСЛУЖИВАНИЕ

Отключите хлебопечку от сети и дайте ей остыть, прежде чем приступить к чистке.

ВАЖНО:

Детали и принадлежности устройства нельзя мыть в посудомоечной машине.

1. Форма для выпечки хлеба: потрите форму влажной тканью изнутри и снаружи. Не используйте острые предметы или абразивные средства, чтобы не повредить антипригарное покрытие. Полностью просушите форму прежде, чем установить ее на место.

- Месильная лопасть: если тестомешалка трудно снимается с оси, заполните форму теплой водой и оставьте на 30 минут. После этого тестомешалка легко снимется с оси для очистки. Тщательно вытрите тестомешалку влажной тканью. Обратите внимание на то, что форму для выпечки хлеба и тестомешалку можно мыть в посудомоечной машине.
- Крышка и окошко: протрите крышку изнутри и снаружи влажной тканью.
- Корпус: аккуратно протрите внешнюю поверхность корпуса влажной тканью. Не используйте абразивные чистящие средства, поскольку это может повредить отделку поверхности. Никогда не погружайте корпус хлебопечки в воду для очистки.
- Прежде, чем убрать хлебопечку на хранение, убедитесь в том, что она полностью остыла, протрите и высушите ее и закройте крышку.

ТЕХНИЧЕСКИЕ ДАННЫЕ:

220-240 В ~ 50 Гц • 850 Вт

Хранение

Рекомендуется хранить в закрытом сухом помещении при температуре окружающего воздуха не выше плюс 40°C с относительной влажностью не выше 70% и отсутствии в окружающей среде пыли, кислотных и других паров.

Транспортировка

К данному прибору специальные правила перевозки не применяются. При перевозке прибора используйте оригинальную заводскую упаковку. При перевозке следует избегать падений, ударов и иных механических воздействий на прибор, а также прямого воздействия атмосферных осадков и агрессивных сред.

Производитель сохраняет за собой право изменять дизайн и технические характеристики устройства без предварительного уведомления.

Срок службы прибора – 3 года

Данное изделие соответствует всем требуемым европейским и российским стандартам безопасности и гигиены.

Изготовитель:

Компания Тиметрон Австрия (Timetron GesmbH)

Адрес:

Раймундгассе 1/8, 1020, Вена, Австрия
(Raimundgasse 1/8, 1020 Vienna, Austria)

Сделано в Китае

Дата производства указана на упаковке

Импортер:

ООО «Грантэл»
143912, Московская область, г. Балашиха, Западная коммунальная зона, ул. Шоссе Энтузиастов, вл.1а,
тел. +7 (495) 297 50 20

В случае неисправности изделия необходимо обратиться в ближайший авторизованный сервисный центр. За информацией о ближайшем сервисном центре обращайтесь к продавцу.



Экологическая утилизация

Вы можете помочь защитить окружающую среду! Помните о соблюдении местных правил: Отправьте неработающее электрооборудование в соответствующие центры утилизации.

ИНСТРУКЦИЯ ОБСЛУГИ

Перед rozpoczęciem eksploatacji proszę dokładnie przeczytać tę instrukcję obsługi i zachować ją na przyszłość

ВАЖНЕ ИНФОРМАЦИИ НА ТЕМАТ БЕЗПЕЧЕНСТВА:

Podczas korzystania z urządzenia elektrycznego, należy zachować podstawowe zasady bezpieczeństwa:

- Należy przeczytać całą instrukcję.
- Przed korzystaniem proszę sprawdzić, czy napięcie w gniazdkach ściennych odpowiada ukazanemu na tabliczce znamionowej.
- Nie należy korzystać z urządzenia, jeśli kabel zasilania, albo wtyczka są uszkodzone, lub jeśli urządzenie nie działa prawidłowo, albo jeśli zostało upuszczone lub w jakikolwiek sposób uszkodzone. Należy zwrócić urządzenie do producenta lub najbliższego autoryzowanego punktu napraw do sprawdzenia, naprawy lub dostrajenia elektrycznego lub mechanicznego.
- Nie należy dotykać gorących powierzchni. Korzystaj z rączek i gałek.
- Aby uniknąć porażenia elektrycznego, nie należy zanurzać kabla, wtyczek, ani urządzenia w wodzie lub innych płynach.
- Jeśli urządzenie nie będzie używane, lub będzie rozkładane na części przed czyszczeniem, należy wyłączyć je z gniazdka.
- Nie należy pozwolić, by kabel zasilania zwisał ze stołu lub dotykał gorących powierzchni.
- Korzystanie z akcesoriów lub dodatków nie zalecanych przez producenta urządzenia może spowodować zagrożenie.
- To urządzenie nie jest przeznaczone do użytku przez osoby (włącznie z dziećmi) ze zmniejszonymi fizycznymi, zmysłowymi lub umysłowymi możliwościami, albo z brakiem doświadczenia i wiedzy, chyba że są one nadzorowane lub poinstruowane, odnośnie korzystania z urządzenia, przez osobę odpowiedzialną za ich bezpieczeństwo.
- Dzieci powinny być nadzorowane w celu zapewnienia, iż nie będą się urządzeniem bawić.
- Nie należy umieszczać urządzenia na, ani w pobliżu gorącego gazu, palnika elektrycznego, lub w nagrzanym piekarniku.
- Nie należy dotykać żadnych ruchomych lub kręcących się części podczas pracy urządzenia.
- Nigdy nie należy włączać urządzenia, nie umieściwszy w nim uprzednio wypełnionej składnikami formy na chleb.
- Nigdy nie należy uderzać w formę na chleb od góry, ani w brzegi, by ją wyjąć, gdyż może to ją uszkodzić.
- Do wypiekacza do chleba nie wolno wkładać metalowych folii, ani innych przedmiotów, gdyż może to spowodować zagrożenie pożaru lub krótkie spięcie.

- Nigdy nie należy przykrywać wypiekacza rącznikiem, ani żadnym innym materiałem, gdyż gorąco i para muszą mieć możliwość swobodnego wydostawania się. Zakrycie urządzenia, lub jego kontakt z łatwopalnym materiałem może spowodować pożar.
- Nie należy używać urządzenia w celach innych, niż te, do których zostało przeznaczone.
- Nie należy używać na zewnątrz.
- Urządzenia nie są przewidziane do współpracy z zewnętrznym timerem lub odrębnym systemem zdalnego sterowania.
- Należy zachować niniejsze instrukcje.

Max. ilość: 800g mąki i 6g drożdży!

TYLKO DO UŻYTKU DOMOWEGO

PRZEGLĄD URZĄDZENIA (patrz il. 1)

- Pokrywa urządzenia
- Okienko
- 2 szpatułki do ugniatania
- Forma do pieczenia
- Panel kontrolny
- Obudowa
- Narzędzie do usuwania szpatulek do ugniatania ciasta
- Kubek odmierzający
- Łyżka odmierzająca

PRAWIDŁOWE KORZYSTANIE WŁAŚCIWOŚCI

Możesz użyć automatycznego piekarnika do chleba zgodnie ze swoimi upodobaniami.

- Możesz wybrać pomiędzy 12 różnymi programami pieczenia.
- Możesz korzystać z gotowych mieszanek do pieczenia.
- Możesz ugniatać ciasto na makaron, lub rogala i zrobić dżem.
- Dzięki programowi „bezglutenowemu” możesz z powodzeniem piec bezglutenowe mieszanki do pieczenia oraz korzystać z przepisów z mąką bezglutenową, taką jak kukurydziana, gryka lub ziemniaczana.

PANEL KONTROLNY (patrz il. 2)

A. WYŚWIETLACZ

- Wyświetla warianty wagi bochenka (750g, 1000g, 1250g)
- Pozostały czas pieczenia minutach oraz czas zaprogramowany
- Wybrany stopień przypieczenia (średni mocno upieczony szybko lekko przypieczony)
- Wybrany numer programu
- Kolejność uruchamianych programów

B. MENU

Uruchom żądany program pieczenia. Numer programu oraz odpowiedni czas pieczenia pojawiają się na wyświetlaczu.

Ważne:

Po naciśnięciu przycisków dotykowych musi się rozleć sygnał dźwiękowy, chyba że urządzenie pracuje.

C. ROZMIAR BOCHENKA

Wybór wagi brutto (750g, 1000g i 1250g). Naciśnij przycisk odpowiednią ilość razy, aż oznaczenie pojawi się pod żądaną wagą.

Uwaga:

Domyślnym ustawieniem po włączeniu urządzenia jest 1250g. Programy 6, 7, 11 i 12 nie pozwalają na ustawienie wagi bochenka.

D. ZEGAR OPÓZNIAJĄCY

Pieczenie z opóźnieniem czasu.

E. STOPIEŃ UPIECZENIA

Wybierz stopień przypieczenia (średni mocno upieczony szybko lekko przypieczony). Naciśnij przycisk przypieczenia odpowiednią ilość razy, aż oznaczenie pojawi się nad żądanym stopniem przypieczenia. Czas pieczenia zmienia się w zależności od wybranego poziomu zbrązowienia. Dla programów 1-4 możesz aktywować tryb szybkiego pieczenia, naciskając przycisk, aż wyświetli się trójkąt, oznaczający program szybkiego pieczenia. Programy 6, 7 i 11 nie pozwalają na ustawienie stopnia zbrązowienia bochenka.

F. START/STOP

Aby rozpocząć, lub zatrzymać pracę, lub anulować ustawienie zegara. Aby wstrzymać pracę, krótko naciśnij przycisk start/stop, aż rozlegnie się dźwięk, a czas zacznie migać na wyświetlaczu. Ponownie naciskając przycisk start/stop wznowisz pracę urządzenia. Jeśli nie wciśniesz przycisku start/stop, urządzenie automatycznie wznowi program po 10 minutach. Aby zakończyć pracę i wykasować ustawienia, naciśnij przycisk start/stop na 3 sekundy, aż rozlegnie się długi dźwięk.

Uwaga:

Nie naciskaj przycisku start/stop, jeśli tylko chcesz sprawdzić stan chleba.

FUNKCJA PAMIĘCI

Po ponownym włączeniu po awarii zasilania, trwającego ok. 10 minut, program wznowi pracę w tym samym punkcie. Nie ma to jednakże zastosowania, jeśli anulujesz/przerwasz proces pieczenia, naciskając przycisk start/stop na 3 sekundy.

OKIENKO

Poprzez okienko możesz sprawdzić proces pieczenia.

PROGRAMY PIECZENIA

Żądany program wybierasz naciskając przycisk menu. Odpowiedni numer programu jest pokazany na wyświetlaczu. Czas pieczenia zależy od wybranej kombinacji programów. Patrz rozdział „Kolejność programów”.

PROGRAM PIECZENIA 1: PODSTAWOWY

Do chlebów białych oraz mieszanych, składających się głównie z mąki pszenicznej lub żytniej. Chleb ma zwartą konsystencję. Możesz dostosować stopień zbrązowienia poprzez przycisk stopnia przypieczenia.

PROGRAM PIECZENIA 2: FRANCUSKI

Do chlebów lekkich, upieczonych z drobnej mąki. Normalnie taki chleb jest puszysty i ma chrupiącą skórkę. Nie jest odpowiedni do przepisów, wymagających masła, margaryny lub mleka.

PROGRAM PIECZENIA 3: RAZOWY

Do chlebów, zrobionych z różnych rodzajów mąki, wymagających dłuższego ugniatania i wzrastania (na przykład z maki razowej i żytniej). Chleb będzie bardziej zwarty i cięższy.

PROGRAM PIECZENIA 4: SŁODKI

Do chleba z dodatkami, np. sokami owocowymi, wórkami kokosowymi, rodzynekami, suszonymi owocami, czekoladą lub z dodatkiem cukru. Z powodu dłuższego czasu wzrastania, chleb będzie lekki i puszysty.

PROGRAM PIECZENIA 5: SUPER SZYBKIE

Szybki proces ugniatania, rośnięcia i pieczenia. Upieczony chleb jest najtwardszy spośród wszystkich dostępnych programów pieczenia.

PROGRAM PIECZENIA 6: CIASTO

Do przygotowania ciasta drożdżowego na bułeczki, pizzę lub prele. Ten program nie obejmuje pieczenia.

PROGRAM PIECZENIA 7: CIASTO NA MAKARON

Do przygotowania ciasta na makaron. Ten program nie obejmuje pieczenia.

PROGRAM PIECZENIA 8: MAŚLANKA

Do chlebów zrobionych przy użyciu maślanki lub jogurtu.

PROGRAM 9: BEZGLUTENOWY

Do chlebów zrobionych z mąki bezglutenowej lub mieszanek do pieczenia. Mąka bezglutenowa wymaga dłuższego nabierania płynów lub ma różne właściwości rośnięcia.

PROGRAM PIECZENIA 10: CIASTO

Ugniatanie, rośnięcie i pieczenie, rośnięcie na sodzie spożywczej lub proszku do pieczenia.

PROGRAM 11: DŻEM

Do robienia dżemu.

PROGRAM 12: PIECZENIE

Do dodatkowego pieczenia chleba, który jest zbyt lekki, lub niewystarczająco upieczony. Ten program nie obejmuje ugniatania, ani czasu leżakowania. Chleb będzie utrzymywany w ciepłe przez prawie godzinę po

zakończeniu pieczenia. Zapobiegnie to zwiłgotnieniu chleba.

- Aby wcześniej zakończyć tę funkcję, naciśnij przycisk start/stop na 3 sekundy, aż rozlegnie się długi dźwięk. Aby wyłączyć urządzenie, odłącz je od źródła zasilania.

W programach 1, 2, 3, 4, 5, 6, 8 i 9 będą rozlegać się dźwięki podczas uruchamiania się poszczególnych programów. Krótko potem dodaj takie składniki, jak owoce, czy orzechy. Na wyświetlaczu pojawi się napis „ADD” (DODAJ). Szpatułka do ugniatania ciasta nie kroi składników.

Jeśli ustawiono opóźnianie zegara, możesz dodać wszystkie składniki do formy do pieczenia na początku. Jednakże w takim przypadku owoce i orzechy powinny być pocięte na małe kawałki.

USTAWIENIA ZEGARA

Funkcja zegara pozwala na opóźnienie pieczenia. Korzystając ze strzałek < oraz >, ustaw żądany czas zakończenia pieczenia. Wybierz program. Wyświetlacz pokaże wymagany czas pieczenia. Korzystając ze strzałki < oraz > możesz zmienić czas zakończenia pieczenia 10-minutowymi etapami do najpóźniejszego punktu w czasie. Wciśnięcie strzałki na stałe przyspieszy wprowadzanie tej funkcji. Wyświetlacz pokaże całkowity czas pieczenia oraz czas opóźnienia. Jeśli popełnisz błąd podczas ustawiania czasu, możesz poprawić go, korzystając ze strzałki < oraz >. Zatwierdź ustawienie zegara, naciskając przycisk start/stop. Dwukropek na wyświetlaczu zacznie migać i rozpocznie się odliczanie zaprogramowanego czasu. Gdy proces pieczenia zostanie zakończony, rozlegnie się dziesięć sygnałów, a wyświetlacz pokaże 0:00.

Przykład:

Jest 8 rano. Chcesz mieć świeży chleb za 7 godzin i 15 minut, o godzinie 15:15. Najpierw wybierz program 1, następnie naciśnij przycisk zegara, aż na wyświetlaczu pojawi się 7:15, gdyż chcesz, by chleb był gotowy za 7 godzin i 15 minut. Pamiętaj, że funkcja zegara nie jest dostępna w programie do dżemu.

Uwaga

Nie korzystaj z funkcji zegara podczas pracy z szybko psującymi się składnikami, takimi jak jaja, mleko, śmietana lub ser.

PRZED PIECZENIEM

Podczas pieczenia proszę pamiętać o następujących czynnikach:

SKŁADNIKI

- Przed włożeniem składników wyjmij formę do pieczenia z obudowy. Jeśli składniki dostaną się w miejsce pieczenia, może to spowodować powstanie ognia, gdyż zostaną one ogrzane przez elementy grzewcze.
- Zawsze wkładaj składniki do formy w określonej kolejności.

- Wszystkie składniki powinny mieć temperaturę pokojową w celu zachowania optymalnego wzrostania drożdży.
- Dokładnie odmierzaj składniki. Nawet drobne odchylenia od określonych w przepisie ilości mogą wpłynąć na wynik końcowy pieczenia.

Uwaga

Nigdy nie używaj większej ilości składników, niż określono w przepisie. Zbyt wiele ciasta może wyrosnąć z formy do pieczenia i skapnąć na gorące elementy grzewcze, powodując pożar. Max. 800g mąki i 6g drożdży!

PIECZENIA CHLEBA PRZYGOTOWANIE

Stosuj się do instrukcji bezpieczeństwa w niniejszej instrukcji obsługi. Umieść piekarnik do chleba na równej i stabilnej powierzchni.

1. Pociągnij formę do pieczenia do góry, by wyjąć ją z urządzenia.
2. Włóż szpatułki do ugniatania na wał napędowy w formie do pieczenia. Upewnij się, że są stabilnie umocowane.
3. Włóż składniki z przepisu wg wskazanej kolejności do formy do pieczenia. Najpierw dodaj płyny, cukier i sól, a następnie mąkę, wkładając drożdże jako ostatnie.

Uwaga: Upewnij się, że drożdże nie wchodzą w kontakt ze składnikami płynnymi, czy solą.

W przepisie będzie podana maksymalna ilość mąki i drożdży, której można użyć.

4. Umieść formę do pieczenia z powrotem w urządzeniu. Upewnij się, że jest prawidłowo włożona.
5. Zamknij pokrywę urządzenia.
6. Podłącz wtyczkę zasilania do gniazdka. Rozlegnie się sygnał dźwiękowy, a na wyświetlaczu pokaże się numer programu oraz czas trwania programu normalnego 1.
7. Wybierz program, korzystając z przycisku menu. Każdy wprowadzony program jest potwierdzany sygnałem dźwiękowym.
8. Wybierz stopień upieczenia chleba. Oznaczenie na wyświetlaczu pokaże, czy został wybrany niski, średni, czy mocny stopień przypieczenia. Możesz także wybrać ustawienie „Szybko”, by skrócić czas pieczenia.

Uwaga:

W programach 6, 7, 11 funkcja „stopnia przypieczenia” i „Szybko” nie są dostępne.

9. Masz teraz możliwość ustawienia czasu zakończenia programu poprzez funkcję zegara. Możesz wprowadzić opóźnienie maksymalnie do 15 godzin.

Uwaga:

Funkcja opóźnienia nie jest dostępna w programie 11.

URUCHAMIANIE PROGRAMU

Uruchom teraz program, naciskając przycisk start/stop. Program automatycznie uruchomi różne czynności. Możesz obserwować kolejność programów przez okienko piekarnika do chleba. Czasami okienko może zaparować. Pokrywa urządzenia może być podczas ugniatania otwarta.

Uwaga:

Nie należy otwierać pokrywy urządzenia podczas pieczenia. Chleb mógłby opaść.

Wskazówka: Po 5 minutach ugniatania, sprawdź konsystencję ciasta. Powinna to być miękka, lepka bryła. Jeśli jest zbyt sucha, dodaj nieco płynu. Jeśli jest zbyt wilgotna, dodaj nieco mąki (1/2 do 1 łyżeczki raz, lub jeśli to konieczne, więcej).

ZAKAŃCZANIE PROGRAMU

Gdy proces pieczenia zostanie zakończony, rozlegnie się dziesięć sygnałów, a wyświetlacz pokaże 0:00. Po zakończeniu programu urządzenie automatycznie przestawi się na tryb podgrzewania do 60 minut. W tym trybie ciepłe powietrze przepływa w środku urządzenia. Możesz wcześniej zakończyć funkcję podgrzewania poprzez przyciśnięcie i przytrzymanie przycisku start/stop, aż rozlegną się dwa sygnały dźwiękowe.

OSTRZEŻENIE

Przed otwarciem pokrywy urządzenia, wyciągnij wtyczkę z gniazdka ściennego. Jeśli urządzenie nie jest używane, nigdy nie powinno być włączone!

WYJMOWANIE CHLEBA

Podczas wyjmowania formy do pieczenia zawsze korzystaj z uchwytów do garnków lub rękawic kuchennych. Przytrzymaj formę do pieczenia przechyloną ponad rusztem i delikatnie potrząśnij, aż chleb wysunie się z formy. Jeśli chleb nie wysuwa się ze szpatulek do ugniatania, ostrożnie usuń szpatułki, korzystając z załączonego narzędzia do ich usuwania.

Uwaga:

Nie używaj żadnych metalowych przedmiotów, które mogłyby porysować nieprzyswierającą powierzchnię. Po usunięciu chleba natychmiast oplucz formę do pieczenia ciepłą wodą. Zapobiegnie to przyklejeniu się szpatulek do ugniatania ciasta do wału napędowego.

Wskazówka: Jeśli po ostatnim ugniataniu ciasta usuniesz szpatułki, wyjęty z formy do pieczenia chleb pozostanie nienaruszony.

- Aby przerwać proces pieczenia krótko naciśnij przycisk start/stop, lub wyjmij wtyczkę z gniazdka ściennego.
- Otwórz pokrywę urządzenia i wyjmij formę do pieczenia. Możesz wyjąć ciasto rękami obsypanymi mąką, a potem wyjąć szpatułki do ugniatania.
- Z powrotem włóż ciasto i zamknij pokrywę urządzenia.

- Włóż wtyczkę z powrotem do gniazdka ściennego i naciśnij przycisk start/stop. Program pieczenia będzie kontynuowany. Przed jedzeniem pozwól chlebowi stygnąć przez 15-30 minut. Przed pokrojeniem chleba upewnij się, że szpatułki do ugniatania ciasta zostały już wyjęte.

Ostrzeżenie

Nie próbuj uruchamiać piekarnika do chleba, zanim ostygnie, lub zanim się nagrzej. Jeśli na wyświetlaczu pokazane jest "HHH" po rozpoczęciu programu, to znaczy, że temperatura wewnątrz formy na chleb jest zbyt wysoka. Należy natychmiast zatrzymać program i odłączyć od zasilania. Następnie otwórz pokrywkę i pozwól urządzeniu całkowicie ostygnąć przez kolejnym go użyciem (poza programem PIECZENIE i DŻEM). Jeśli po uruchomieniu programu na wyświetlaczu jest pokazane "LLL", to znaczy, że temperatura wewnątrz formy do chleba jest zbyt niska. Należy ustawić wyższą temperaturę pracy piekarnika (poza programami PIECZENIE i DŻEM). Jeśli po naciśnięciu start/stop na wyświetlaczu pojawi się "EE0", to znaczy, że czujnik temperatury jest odłączony; należy sprawdzić go w autoryzowanym punkcie napraw. Jeśli na wyświetlaczu pokazane jest „EE1”, oznacza to, że czujnik temperatury miał krótkie spięcie.

CZYSZCZENIE I KONSERWACJA

Przed czyszczeniem odłącz urządzenie od zasilania i pozwól mu ostygnąć.

WAŻNE:

Elementy i akcesoria do tego urządzenia nie powinny być myte w zmywarce do naczyń.

1. Forma na chleb: Pocieraj w środku i na zewnątrz wilgotną szmatką. Nie należy używać żadnych ostrych, ani ściernych środków, by nie uszkodzić ochronnej warstwy nieprzyswierającej. Przed ponowną instalacją forma musi być całkowicie sucha.
2. Ostrze ugniatające: Jeśli trudno jest zdjąć ramę ugniatającą z osi, należy wypełnić pojemnik ciepłą wodą i pozostawić na około 30 minut. Potem ugniatacz może być łatwo wyjęty do czyszczenia. Należy też wytrzeć ostrze dokładnie bawełnianą wilgotną szmatką. Proszę pamiętać, że forma do chleba i ostrze ugniatające nadają się do mycia w zmywarce do naczyń.
3. Pokrywka i okienko: wyczyść pokrywkę w środku i na zewnątrz lekko zwilżoną szmatką.
4. Obudowa: delikatnie wytrzyj zewnętrzną powierzchnię obudowy wilgotną szmatką. Nie należy korzystać z żadnych środków ściernych, gdyż mogłyby to uszkodzić wysoko wypolerowaną powierzchnię. Nigdy nie należy w celu wyczyszczenia zanurzać obudowy w wodzie.
5. Przed schowaniem wypiekacza do chleba, należy się upewnić, że całkowicie ostygł, jest czysty i suchy, oraz że pokrywka jest zamknięta.

DANE TECHNICZNE:

220-240V ~ 50Hz • 850W



Utylizacja przyjazna środowisku

Możesz wspomóc ochronę środowiska!

■ Proszę pamiętać o przestrzeganiu lokalnych przepisów: przekaż uszkodzony sprzęt elektryczny do odpowiedniego ośrodka utylizacji.

MANUAL DE UTILIZARE

Citiți în întregime această broșură înainte de utilizare și păstrați-o pentru consultări ulterioare

INSTRUCȚIUNI DE SIGURANȚĂ IMPORTANTE:

Înainte de utilizarea aparatului electric, a se respecta întotdeauna următoarele măsuri de precauție esențiale:

1. Citiți toate instrucțiunile.
2. Înainte de utilizare, verificați dacă tensiunea de la priza murală corespunde celei indicate pe plăcuța de identificare.
3. Nu acționați niciun aparat cu cablul sau cu fișa deteriorată sau după ce acesta s-a defectat, a suferit șocuri mecanice prin cădere ori a suferit deteriorări de orice natură. Restituiți aparatul fabricantului sau la cel mai apropiat centru de depanare autorizat, supunându-l inspectării, reparațiilor sau reglajelor electrice ori mecanice.
4. Nu atingeți suprafețele fierbinți. Folosiți mânerul sau butoanele.
5. Pentru a preveni pericolul de electrocutare, nu introduceți cablul, fișele sau carcasa în apă sau în alte lichide.
6. Scoateți fișa din priză în caz de neutilizare, înaintea montării sau detașării unor piese și înainte de curățare.
7. Nu lăsați cablul să atârne liber peste marginea unei mese sau a suprafețelor fierbinți.
8. Utilizarea de accesorii nerecomandate de fabricantul acestui aparat poate provoca rănirea.
9. Aparatul nu este destinat utilizării de către persoane (inclusiv copiii) care au capacități fizice, senzoriale sau mentale reduse, ori nu dețin experiența sau cunoștințele necesare, cu excepția cazului în care sunt supravegheați sau a fost instruiți privind utilizarea aparatelor de către o persoană responsabilă de siguranța acestora.
10. Copiii vor fi ținuți sub supraveghere, pentru a nu li se permite să se joace cu aparatul.
11. Se interzice amplasarea lângă sau pe o plită electrică sau un aragaz fierbinte ori într-un cuptor încălzit.
12. A nu se atinge nicio piesă mobilă sau aflată în rotație a aparatului în timpul gătitului.
13. Nu porniți niciodată aparatul fără a introduce corespunzător ingredientele de coacere în tavă.
14. A nu se bate niciodată tava pe porțiunea superioară sau pe margine pentru extragerea tăvii; există pericolul deteriorării tăvii.
15. A nu se introduce folii metalice sau alte materiale în cuptorul automat de pâine, deoarece se poate crea pericolul de incendiu sau scurtcircuitare.
16. A nu se acoperi niciodată cuptorul automat de pâine cu un prosop sau cu orice alte materiale; căldura și aburul trebuie să poată fi degajate fără obstacole. Se poate produce un incendiu dacă

acesta este acoperit sau intră în contact de/cu materii combustibile.

17. Nu utilizați acest aparat pentru alte scopuri decât cele prevăzute.
18. Se interzice utilizarea în spații exterioare.
19. Dispozitivele nu sunt concepute pentru a fi controlate prin intermediul unui temporizator extern sau al unui sistem separat de reglare de la distanță.
20. Păstrați aceste instrucțiuni.

Max. cantitate: 800g făină și 6g drojdie!

EXCLUSIV UTILIZARE CASNICĂ**PREZENTAREA GENERALĂ A APARATULUI** (v. fig. 1)

1. Capac
2. Vizor
3. 2 spirale de frământare
4. Cuvă de copt
5. Comenzi
6. Carcasă
7. Element de desfacere a spiralelor de frământare
8. Cană de dozare
9. Lingură de dozare

UTILIZARE CORESPUNZĂTOARE**FUNCȚII**

Puteți folosi cuptorul de pâine automat pentru a coace pâine conform preferințelor.

- Aveți la dispoziție o selecție de 12 programe diferite.
- Puteți folosi mixuri de copt gata preparate.
- Puteți frământa aluat pentru fidea sau ruladă și puteți prepara gem.
- În programul de coacere „fără gluten”, puteți prepara amestecuri de copt fără gluten și rețete cu făină fără gluten, cum ar fi făina de porumb, făina de hrișcă și făina de cartofi.

COMENZI (v. fig. 2)**A. AFIȘAJ**

1. Afișaj destinat selectării greutății (750g, 1000g, 1250g)
2. Durata de copt rămasă exprimată în minute și durata programată
3. Gradul de rumenire selectat (Scăzut → Mediu → Întunecat → Rapid)
4. Numărul programului selectat
5. Secvența de procesare a programului

B. MENU

Introduceți programul de coacere dorit. Numărul programului și durata de coacere respectivă apar pe afișaj.

Atenție:

La apăsarea tuturor butoanelor, se va emite un semnal sonor, cu excepția cazului în care aparatul este în funcțiune.

C. DIMENSIUNE FRANZELĂ

Selectați greutatea aproximativă (750g, 1000g, and 1250g). Apăsați butonul de câte ori e nevoie până ce marcajul apare sub greutatea dorită.

Rețineți:

Setarea implicită la activarea aparatului este de 1250g. Programele 6, 7, 11 și 12 nu pot regla dimensiunea franzelii.

D. TEMPORIZATOR

Coacere cu activare temporizată.

E. CULOARE

Selectați gradul de rumenire (Scăzut → Mediu → Întunecat → Rapid). Apăsați butonul Culoare de suficient ori, până când un marcaj apare deasupra gradului dorit de rumenire. Durata de coacere se modifică în funcție de nivelul selectat de rumenire. În cazul programelor 1-4, puteți activa modul rapid apăsând butonul până ce modul rapid va fi indicat printr-un triunghi. În cazul programelor 6, 7 și 11, setarea Culoare este neselectabilă.

F. PORNIRE/OPRIRE

Destinat pornirii și opririi aparatului sau ștergerii unui temporizator fixat. Pentru a întrerupe funcționarea, apăsați scurt butonul de Pornire/Oprire până ce auziți un semnal sonor și durata luminează intermitent pe afișaj. Prin reapăsarea butonului de Pornire/Oprire, se reia funcționarea. Dacă nu apăsați manual Pornire/Oprire, aparatul va relua automat programul fixat după 10 minute. Pentru a finaliza procesul și pentru a șterge setările, apăsați butonul de Pornire/Oprire timp de 3 secunde până ce auziți un semnal sonor prelungit.

Rețineți:

Nu apăsați butonul de Pornire/Oprire dacă doriți numai să verificați coacerea pâinii.

FUNCȚIE MEMORIE

În cazul repornirii aparatului după o pană de curent de aprox. 10 minute, programul va fi reluat din același punct. Acest considerent nu este însă valabil când anulând/incheiați procesul de coacere prin apăsarea butonului de Pornire/Oprire timp de 3 secunde.

VIZOR

Puteți vedea pâinea în timpul coacerii prin acest vizor.

PROGRAME DE COACERE

Puteți selecta programul dorit prin apăsarea butoanelor. Numărul programului respectiv este indicat pe afișaj. Durata de coacere depinde de combinațiile de Programe selectate. Consultați capitolul „Secvență programe”.

PROGRAM DE COACERE 1: BAZĂ

Pentru pâini albe și mixte cu aluat în special din făină de grâu sau făină de secară. Pâinea este compactă. Puteți modifica gradul de rumenire al pâinii cu butonul Culoare.

PROGRAM DE COACERE 2: FRANȚUZEASCĂ

Pentru pâini ușoare, din făină superioară. De regulă, această pâine este pufoasă și are o crustă crocantă. Nu este adecvat rețetelor cu unt, margarină sau lapte.

PROGRAM DE COACERE 3: CU GRÂU INTEGRAL

Pentru pâini cu făină grosieră ce necesită mai multă frământare și sunt lăuate mai mult timp la crescut (de exemplu, făina din grâu integral și făina de secară). Pâinea va fi mai compactă și grea.

PROGRAM DE COACERE 4: DULCE

Pentru pâini cu aditivi precum zeama de fructe, miez de cocos mărunțit, stafide, fructe uscate, ciocolată sau zahăr. Din cauza dospirii prelungite, pâinea va fi ușoară și mai aerată.

PROGRAM DE COACERE 5: SUPER RAPID

Frământare, dospire și coacere foarte rapidă. Însă pâinea coaptă va fi și cea mai dură dintre toate.

PROGRAM DE COACERE 6: ALUAT

Pentru prepararea aluatului dospit pentru chifle, pizza sau pâine împletită. În cadrul acestui program, aluatul nu este copt.

PROGRAM DE COACERE 7: ALUAT PENTRU PASTE

Pentru prepararea de aluat de fidea. În cadrul acestui program, aluatul nu este copt.

PROGRAM DE COACERE 8: LAPTE BĂTUT

Pentru pâini preparate cu lapte bătut sau iaurt.

PROGRAMUL 9: FĂRĂ GLUTEN

Pentru pâini cu făină și mixuri de copt fără gluten. Făina fără gluten necesită un interval mai mare pentru absorbirea lichidelor și dospesște diferit.

PROGRAM DE COACERE 10: PRĂJITURĂ

Frământare, dospire și coacere, însă dospire cu bicarbonat de sodiu sau praf de copt

PROGRAMUL 11: GEM

Pentru prepararea de gemuri.

PROGRAMUL 12: COACERE

Pentru o coacere suplimentară a pâinilor care sunt prea nerumenite sau nu au fost pătrunse. În acest program, nu se va frământa sau dospi. Pâinea va fi menținută caldă timp de aproape o oră după finalul operațiunii de coacere. Astfel, se împiedică umezirea excesivă a pâinii.

- Pentru a încheia această funcție înainte de terminare, apăsați butonul de Pornire/Oprire timp de trei secunde până ce auziți un semnal sonor prelungit. Pentru a opri aparatul, decuplați-l de la sursa de alimentare electrică.

În programele 1, 2, 3, 4, 5, 6, 8 și 9, un semnal sonor rapid va fi emis în timpul secvenței de programe. Imediat apoi, introduceți ingrediente precum fructe sau nuci. Mesajul “ADD” va apărea pe ecran. Ingredientele nu vor fi mărunțite de spirala de frământare.

Dacă ați setat temporizatorul, puteți introduce toate ingredientele în cuva de copt de la început. În acest caz însă, fructele și nucile trebuie să fie tăiate în bucăți mai mici.

FIXAREA TEMPORIZATORULUI

Funcția de temporizare activează coacerea întârziată. Cu ajutorul tastelor < și >, setați punctul final dorit al operațiunii de coacere. Selectați un program. Afișajul indică durata de coacere necesară. Cu ajutorul tastei < și > puteți modifica punctul final al operațiunii de coacere în etape de câte 10 minute, reprogramându-l pentru mai târziu. Țineți tasta săgeată apăsată pentru a efectua mai rapid această funcție. Afișajul indică durata totală de coacere și durata temporizată. Dacă depășiți valoarea vizată când modificați durata, o puteți corecta prin intermediul tastei < și >. Confirmați setarea temporizatorului prin intermediul butonului Pornire/Oprire. Cele două puncte de pe afișaj luminează intermitent, iar durata programată începe să se scurgă. După finalizarea procesului de coacere, se emit zece semnale sonore, iar afișajul indică secvența 0:00.

Exemplu:

Este 8 dimineața și vreți să aveți pâine proaspătă peste 7 ore și 15 minute, la 15:15. Selectați mai întâi programul 1, apoi apăsați butonul de temporizare până ce 7:15 apare pe afișaj, timpul ce va trece până la terminarea pâinii este de 7 ore 15 minute. Rețineți că este posibil ca funcția de Temporizare să nu fie disponibilă la programul de preparare a gemurilor.

Observație

Nu folosiți funcția de temporizare când preparați cu ingrediente ce se alterează rapid, precum ouăle, laptele, frișca sau brânza.

ÎNAINTE DE COACERE

Pentru a obține o coacere reușită, luați în calcul următorii factori:

INGREDIENTE

- Scoateți cuva de copt din carcasă înainte de a introduce ingredientele. Dacă ingredientele ajung în zona de coacere, pot provoca un incendiu încălzindu-se pe elementele de încălzire.
- Introduceți întotdeauna ingredientele în ordinea indicată în cuva de copt.
- Toate ingredientele trebuie să fie la temperatura camerei pentru a menține o dospire optimă a drojdiei.
- Măsurați cu exactitate ingredientele. Chiar și deviațiile neglijabile de la cantitățile specificate în rețetă pot afecta produsul final.

Observație

Nu folosiți niciodată cantități mai mari decât cele precizate. Este posibil ca aluatul în exces să iasă din cuva de copt, picurând pe elementele de încălzire fierbinți și provocând un incendiu. Max. 800g făină și 6g drojdie!

COACEREA PĂINII

ETAPA INIȚIALĂ

Respectați instrucțiunile de siguranță din acest manual. Așezați cuptorul de pâine pe o suprafață plană și solidă.

1. Trageți cuva de copt în sus, scoțând-o din aparat.
2. Împingeți spiralele de frământare pe axurile de acționare din cuva de copt. Asigurați-vă că s-au fixat ferm.
3. Puneți ingredientele aferente rețetei dv în ordinea indicată în cuva de copt. Adăugați mai întâi lichidele, zahărul și sarea, apoi făina, păstrând drojdia ca ultim ingredient.

Observație: Asigurați-vă că drojdia nu intră în contact cu sarea sau cu lichidele.

Pentru a afla cantitățile maxime de făină și drojdie utilizabile, consultați rețeta.

4. Introduceți cuva de copt la locul său în aparat. Asigurați-vă că este amplasată corect.
5. Închideți capacul aparatului.
6. Introduceți fișa electrică în priză. Este emis un semnal acustic, iar afișajul indică numărul programului și durata programului normal 1.
7. Selectați-vă programul cu butonul din meniu. Fiecare comandă este confirmată printr-un semnal acustic.
8. Selectați culoarea pâinii dorite. Indicatorul de pe afișaj arată dacă ați ales pâine deschisă la culoare, medie sau întunecată. Puteți selecta și setarea „Rapid” pentru a scurta durata de coacere.

Rețineți:

Pentru programele 6,7,11, funcțiile „grad de rumenire” și „Rapid” nu sunt disponibile.

9. Acum, aveți posibilitatea de a seta durata de finalizare a programului cu funcția de temporizare. Puteți introduce un interval maxim de până la 15 ore.

Rețineți:

Această funcție de temporizare nu este disponibilă pentru programul 11.

INIȚIEREA UNUI PROGRAM

Acum, inițiați programul cu butonul de Pornire/Oprire. Programul va acționa automat diverse funcții. Puteți observa secvența programului pe vizorul cuptorului de pâine. Uneori, este posibil să se formeze condens pe vizor în timpul coacerii. Capacul aparatului poate fi deschis în timpul frământării.

Rețineți:

Nu deschideți capacul aparatului în timpul coacerii. Este posibil ca pâinea să se lase.

Sfat: După 5 minute de frământare, verificați consistența aluatului. Acesta ar trebui să fie o masă moale și lipicioasă. Dacă este prea uscat, adăugați puțin lichid. Dacă este prea umed, adăugați puțină făină (1/2 sau 1 lingură o dată sau de mai multe ori, după caz).

ÎNCHIEIEREA UNUI PROGRAM

După finalizarea procesului de coacere, se emit zece semnale acustice, iar afișajul indică 0:00. La capătul programului, aparatul trece automat pe un mod de încălzire de până la 60 de minute. În acest mod, aerul cald circulă în interiorul aparatului. Puteți încheia înainte de finalizare funcția de încălzire ținând apăsat butonul de Pornire/Oprire până ce auziți două semnale sonore.

AVERTISMENT

Înainte de a deschide capacul aparatului, scoateți ștecărul din priză. În timpul neutilizării, nu lăsați niciodată aparatul băgat în priză!

SCOATEREA PĂINII

La scoaterea cuvei de copt, folosiți întotdeauna prosoape sau mănuși termorezistente. Țineți cuva de copt înclinată deasupra unui grătar și scuturați ușor până ce pâinea alunecă din cuva de copt. Dacă pâinea nu alunecă de pe spiralele de frământare, scoateți cu atenție spiralele de frământare cu ajutorul elementului de desfacere inclus.

Rețineți:

Nu folosiți obiecte metalice care ar putea provoca zgârieturi pe suprafața antiaderentă. După ce ați scos pâinea, clătiți imediat cuva de copt cu apă caldă. Astfel, împiedicați lipirea spiralelor de frământare de axul de acționare.

Sfat: Dacă scoateți spiralele de frământare după ultima frământare a aluatului, pâinea va rămâne intactă când o scoateți din cuva de copt.

- Apăsăți scurt butonul de Pornire/Oprire pentru a întrerupe procesul de coacere sau pentru a scoate ștecărul din priza murală.
- Deschideți capacul aparatului și scoateți cuva de copt. Puteți scoate aluatul dacă aveți mâinile date cu făină, scoțând spiralele de frământare.
- Înlocuiți aluatul și închideți capacul aparatului.
- Reintroduceți ștecărul în priza murală și apăsați butonul de Pornire/Oprire. Programul de coacere este reluat. Lăsați pâinea să se răcească 15-30 minute înainte de a o consuma. Înainte de a tăia pâinea, asigurați-vă că nu ați lăsat spiralele de frământare în cuva de copt.

Avvertisment

Nu încercați să inițiați operarea cuptorului de pâine înainte ca acesta să se fi răcit sau încălzit. Dacă afișajul indică “HHH” după ce programul a fost inițiat, aceasta înseamnă că temperatura din tava de pâine este prea ridicată. Întrerupeți programul și scoateți din priză imediat. Apoi, desfaceți capacul și lăsați aparatul să se răcească complet înainte de reutilizare (cu excepția programului de COACERE și GEM). Dacă afișajul indică “LLL” după ce programul a fost inițiat, aceasta înseamnă că temperatura din tava de pâine este prea scăzută. Aduceți cuptorul de pâine la un nivel mai ridicat de

utilizare (cu excepția programului de COACERE și GEM). Dacă afișajul indică “EEO” după ce ați apăsat pe butonul de Pornire/Oprire, senzorul de temperatură are un circuit deschis; supuneți senzorul unei verificări atente la un specialist avizat. Dacă afișajul indică mesajul “EE1”, această înseamnă că senzorul de temperatură s-a scurtcircuitat.

CURĂȚARE ȘI ÎNTREȚINERE

Decuplați aparatul de la alimentarea electrică și lăsați-l să se răcească înainte de curățare.

IMPORTANT:

Piesele și accesoriile aparatului nu se vor spăla într-o mașină de spălat vase.

1. tavă de copt: Frecați interiorul și exteriorul cu o cârpă umedă. Nu folosiți obiecte ascuțite sau agenți abrazivi, pentru a proteja învelișul teflonat. Tava trebuie să fie complet uscată înainte de montare.
2. braț de frământare: Dacă brațul de frământare este greu de scos din ax, umpleți recipientul cu apă caldă și lăsați-l înmuiat timp de aprox. 30 de minute. Apoi, brațul de frământare poate fi demontat cu ușurință pentru curățare. De asemenea, ștergeți atent brațul cu o cârpă umedă de bumbac. Observație: atât tava de copt, cât și brațul de frământare sunt componente ce pot fi curățate în mașina de spălat vase.
3. capac și vizor: curățați capacul pe interior și exterior cu o cârpă ușor umezită.
4. Carcasă: ștergeți ușor suprafața exterioară a carcasei cu o cârpă umedă. Nu folosiți agenți de curățare abrazivi, deoarece ați degrada stratul de protecție al suprafeței. Nu scufundați niciodată carcasa în apă pentru a o spăla.
5. Înainte de a depozita cuptorul automat de pâine, asigurați-vă că s-a răcit complet, că este curat și uscat, precum și că are capacul închis.

PRECIZĂRI TEHNICE:

220-240V ~ 50Hz • 850W



Eliminare ecologică

Puteți ajuta la protejarea mediului!

■ Respectați reglementările locale: predați echipamentele electronice scoase din uz la un centru specializat de eliminare a deșeurilor.

LIETOŠANAS PAMĀCĪBA

Kārtīgi izlasiet šo bukletu un saglabājiet to turpmāki uzziņai.

SVARĪGI DROŠĪBAS PASĀKUMI:

Pirms elektriskās ierīces lietošanas, jāievēro šādi pamata piesardzības norādījumi:

1. Izlasiet visus norādījumus.
2. Pirms lietošanas pārbaudiet vai spriegums sienas kontaktligzdā atbilst spriegumam, kas norādīts uz ierīces tehnisko datu plāksnītes.
3. Nelietojiet ierīces, kurām ir bojāts strāvas vads, kontaktdakšiņa, bojājuma gadījumā, ja tās ir nokritušas, vai kā citādi sabojātas. Atgrieziet ierīci ražotājam vai tuvākajam autorizētā servisa darbiniekam, kas veiks apskati, labošanu, elektrisko vai mehānisko regulēšanu.
4. Nepieskarieties karstām virsmām. Lietojiet rokturus vai pogas.
5. Lai izsargātos no elektriskās strāvas trieciena, neiemērciet strāvas vadu, pogas vai korpusu ūdenī, vai kādā citā šķidrumā.
6. Ja ierīci nelietojat, pirms detaļu montāžas vai noņemšanas un pirms tīrīšanas, atvienojiet to no barošanas avota kontaktligzdas.
7. Nepieļaujiet, lai strāvas vads pārkarātos galda malai vai virs karstas virsmas.
8. Ja tiek lietoti piederumi, ko neiesaka ierīces ražotājs, tie var izraisīt ievainojumus.
9. Šī ierīce nav paredzēta tādām cilvēkiem (tai sk. bērniem), kam ir pazeminātas fiziskās, sensorās vai prāta spējas, kā arī pieredzes vai zināšanu trūkums, izņemot gadījumus, kad viņus pieskata vai par ierīces lietošanu instruē cilvēks, kas atbild par viņu drošību.
10. Bērns jāuzrauga, lai viņi nespēlētu ar ierīci.
11. Nenovietojiet uz vai līdzās gāzes plītij, elektriskajam sildītājam vai uzkarusušā cepeškrāsnī.
12. Gatavojot ēdienu, nepieskarieties nevienai ierīces detaļai, ko var pagriezt vai pabidīt.
13. Nekad neieslēdziet ierīci, ja maizes pannā nav kārtīgi ievietotas ēdiena sastāvdaļas.
14. Nekad nesietiet pa virspusi vai sāniem, lai izņemtu maizes pannu, šādi rīkojoties, to var sabojāt.
15. Maizes cepšanas ierīcē nedrīkst lietot metāla folijas vai citus materiālus, jo tie var palielināt ugunsgrēka vai īssavienojuma risku.
16. Nekad neapsēdziet maizes cepšanas ierīci ar divi vai kādu citu materiālu, ierīcei ir jānodrošina brīva siltuma un tvaiku izplūde. Apsēdzot ierīci vai saskaroties tai ar uzliesmojošu materiālu, var izraisīt ugunsgrēku.
17. Ierīci lietojiet tikai tai paredzētajiem mērķiem.
18. Nelietojiet ierīci ārpus telpām.
19. Ierīces nav paredzētas lietošanai ar ārēju taimeru vai atsevišķu tālvadības sistēmu.
20. Saglabājiet šo pamācību.

Maks. daudzums: 800g milti un 6g rauga!

LIETOŠANAI TIKAI MĀJSAIMNIECĪBĀ

IERĪCES PĀRSKATS (sk., 1. att.)

1. Ierīces vāks
2. Apskates lodziņš
3. 2 mīcītāja lāpstiņas
4. Cepšanas forma
5. Vadības panelis
6. Korpus
7. Mīcīšanas lāpstiņu noņēmejs
8. Mērtrauks
9. Mērkarote

PAREIZA LIETOŠANA ĪPAŠĪBAS

Jūs varat lietot automātisko maizes cepēju, lai ceptu pēc savas gaumes.

- Jūs varat izvēlēties kādu no 12 dažādajām cepšanas programmām.
- Jūs varat lietot jau gatavus cepšanas maisījumus.
- Jūs varat mīcīt nūdeļu mīklu, velt mīklu un gatavot ievārījumu.
- Ar cepšanas programmu „bez glutenīna”, jūs veiksmīgi varat pagatavot cepšanas maisījumus un gatavot pēc receptes bez glutenīna, kas nesatur glutenīna miltus, piemēram, kukurūzas miltus, griķu miltus un kartupeļu miltus.

VADĪBAS PANELIS (sk., 2. att.)

A. DISPLEJS

1. Displejs svara izvēlei. (750g, 1000g, 1250g)
2. Atlikušais cepšanas laiks minūtēs un ieprogrammētais laiks.
3. Vēlamā brūnganuma pakāpe. (Lēns → Vidējs → Tumšs → Atrs)
4. Izvēlētais programmas numurs
5. Programmas izstrādes secība.

B. IZVĒLNE

Ielādējiet izvēlēto cepšanas programmu. Displejā parādās programmas numurs un atbilstošais cepšanas laiks.

Svarīgi:

Spiežot jebkuru pogu, jābūt dzirdamam signālam, ja vien ierīce jau nedarbojas.

C. KLAIPA IZMĒRS

Izvēlieties masu (750g, 1000g, un 1250g). Nospiediet pogu tik reizes, kamēr blakus vēlamajam svaram parādīsies uzraksts.

Piezīme:

Noklusējuma iestatījums, aktivizējot ierīci ir 1250g. Programmām 6, 7, 11 un 12 nevar pielāgot klaipa izmēru.

D. AIZTURES TAIMERIS

Cepšana ar laika aizturi.

E. KRĀSA

Izvēlieties brūnganuma pakāpi (Lēns → Vidējs → Tumšs → Atrs). Nospiediet krāsas izvēles pogu tik reizes, līdz virspusē esošajam vēlamā brūnuma pakāpes

apzīmējumam. Cepšanas laiks mainīsies atkarībā no izvēlētais brūnuma pakāpes. Cepšanas programmām 1-4 varat aktivizēt ātro režīmu, nospiežot pogu, līdz trīsstūris atspoguļo ātro programmu. Programmām 6, 7, un 11 nevar izvēlēties krāsas iestatījumu.

F. UZSĀKŠANA/APTURĒŠANA

Lietojiet pogu, lai uzsāktu un apturētu darbību vai dzēstu iestatīto taimeru. Lai apturētu darbību, viegli nospiediet „Start/Stop” (Sākt/Apturēt) pogu, līdz dzirdams signāls un uz displeja mirgo pulkstenis. Atkārtoti nospiežot „Start/Stop” (Sākt/Apturēt) pogu darbība tiks atsākta. Ja jūs manuāli nenospiedīsiet „Start/Stop” (Sākt/Apturēt) pogu, ierīce automātiski atsāks programmas darbību pēc 10 minūtēm. Lai beigtu ekspluatāciju un dzēstu iestatījumus, turiet nospiestu „Start/Stop” (Sākt/Apturēt) pogu 3 sekundes, līdz būs dzirdams viens garš signāls.

Piezīme:

Nespiediet „Start/Stop” (Sākt/Apturēt) pogu tikai tāpēc, lai pārbaudītu, kādā stāvoklī ir maize.

ATMIŅAS FUNKCIJA

Kad ierīce atkārtoti ieslēgta pēc apmēram 10 minūšu strāvas zuduma, programma turpinās darbu no vietas, kur tā tika pārtraukta. Tomēr tā nedarbojas, ja atceļat/pārtraucat cepšanas procesu, turot nospiestu „Start/Stop” (Sākt/Apturēt) pogu 3 sekundes.

LOGS

Jūs varat vērot cepšanas procesu pa lodziņu.

CEPŠANAS PROGRAMMAS

Vēlamo programmu varat izvēlēties, nospiežot izvēlnes pogu. Attiecīgās programmas numurs tiek parādīts uz displeja. Cepšanas laiks ir atkarīgs no izvēlētais programmas kombinācijas. Skat. nodaļu „Programmu secība”.

1. CEPŠANAS PROGRAMMA: BASIC (STANDARTA)

Baltai un jauktai maizei, kas sastāv galvenokārt no kviešu vai rudzu miltiem. Maizei ir kompakta konsistence. Brūnganuma pakāpi varat pielāgot ar pogas „Color” (Krāsa) palīdzību.

2. CEPŠANAS PROGRAMMA: FRENCH (FRANČU)

Gaišai maizei, kas gatavota no smalkiem miltiem. Parasti maize ir mīksta un tai ir viegli lūstoša garoza. Tā nav piemērota cepšanai ar sviestu, margarīnu vai pienu.

3. CEPŠANAS PROGRAMMA: WHOLE WHEAT (PILNGRAUDU BALTAIŽE):

Maizei no rupjiem miltiem, kam nepieciešams ilgāks maisīšanas un briešanas process (piemēram, pilngraudu kviešu miltiem un rudzu miltiem). Maize būs blīvāka un smagāka.

4. CEPŠANAS PROGRAMMA: SWEET (SALDĀ)

Maizei ar piedevām, tādām kā augļu sulām, smalcinātiem kokosriekstiem, rozīnēm, kaltētiem

augļiem, šokolādi vai cukuru. Pateicoties ilgajam briešanas procesam, maize būs viegla un gaisīga.

5. CEPŠANAS PROGRAMMA: SUPER RAPID (ĪPAŠĪ ĀTRA)

Maisa, raudzē un cep ļoti lielā ātrumā. Izceptā maize ir visvienkāršākā no visām maizes cepšanas programmu izvēlnēm.

6. CEPŠANAS PROGRAMMA: DOUGH (MĪKLA)

Rauga mīklas gatavošanai smalkmaizītēm, picai vai pītai maizei. Šajā programmā netiek veikta cepšana.

7. CEPŠANAS PROGRAMMA: PASTE DOUGH (PASTAS MĪKLA)

Nūdeļu mīklas gatavošanai. Šajā programmā netiek veikta cepšana.

8. CEPŠANAS PROGRAMMA: BUTTERMILK BREAD (PANIŅAS)

Maizei, kas cepta ar paniņām vai jogurtu.

9. PROGRAMMA: GLUTEN FREE (BEZ GLUTENĪNA)

Maizēm, kas gatavotas no cepšanas maisījumiem un miltiem bez glutenīna. Miltiem bez glutenīna, nepieciešams ilgāks šķidruma uzsūkšanas laiks un tiem ir savādākas rūgšanas īpašības.

10. CEPŠANAS PROGRAMMA: CAKE (KĒKSS)

Maisīšana, raudzēšana un cepšana, bet raudzēšana notiek ar pārtikas sodu vai cepampulveri.

11. PROGRAMMA: JAM (IEVĀRĪJUMS)

Ievārījuma pagatavošanai.

12. PROGRAMMA: BAKE (CEPŠANA)

Papildu cepšana maizēm, kas ir pārāk gaišas un nav izcepušas. Šajā programmā netiek mīcīts vai raudzēts. Maize tiks uzturēta siltā apmēram stundu pēc cepšanas procesa beigām. Tas neļaus maizei kļūt pārāk mitrai.

- Lai priekšlaicīgi pārtrauktu šo funkciju, turiet nospiestu pogu „Start/Stop” (Sākt/Apturēt) 3 sekundes, līdz ir dzirdams garš skaņas signāls. Lai izslēgtu ierīci, atvienojiet to no strāvas padeves.

Programmu 1, 2, 3, 4, 5, 6, 8 un 9 izpildes laikā ir dzirdamas straujas signāla skaņas. Drīz pēc tam pievienojiet sastāvdaļas, piemēram, augļus vai riekstus. Parādīsies uzraksts „ADD” (PIEVIENOT). Maisīšanas lāpstiņas nesmalcina sastāvdaļas. Ja esat uzstādījis aizturēto taimeru, visas sastāvdaļas varat salikt cepšanas veidnē jau pašā sākumā. Tomēr šajā gadījumā augļiem un riekstiem jābūt sagrieztiem smalkākos gabaliņos.

TAIMERA IESTATĪŠANA

Taimera funkcija ļauj cept ar aizturi. Lietojot bultiņu taustiņus < un >, iestatiet vēlamo cepšanas procesa beigu laiku. Izvēlieties programmu. Displejs uzrāda nepieciešamo cepšanas laiku. Lietojot bultiņu taustiņu < un > varat mainīt cepšanas procesa beigšanas laiku no 10 minūtēm līdz vēlākam laikam. Turiet bultiņu taustiņu nospiestu, lai šo procesu pārtrūnātu. Displejs rāda kopējo cepšanas laiku un aiztures laiku. Ja mainot laiku, pārsniedzāt vēlamā laika vērtību, varat to labot ar bultiņu taustiņu < un >. Taimera iestatījumus

apstipriniet ar „Start/Stop” (Sākt/Apturēt) pogu. Uz displeja mirgo kols un sāk ritēt ieprogrammētais laiks. Kad cepšanas process ir pabeigts, tiek izvadīti desmit skaņas signāli un displejs parāda 0:00.

Piemērs:

Ir 8 no rīta un jūs vēlaties svaigu maizi pēc 7 stundām un 15 minūtēm, t.i., plkst. 15:15. Vispirms izvēlieties 1. programmu, tad nospiediet taimera pogu, līdz uz displeja parādās 7:15, jo līdz maizes izcepšanas brīdim ir palikušas 7 stundas un 15 minūtes. Ņemiet vērā, ka taimera funkcija nedarbojas dzema programmai.

Piezīme

Taimera funkciju nelietojiet, strādājot ar sastāvdaļām, kas viegli bojājas, piemēram, olām, pienu, krējumu vai sieru.

PIRMS CEPŠANAS

Lai cepšanas process būtu veiksmīgs, lūdzu, ņemiet vērā šādus faktorus:

SASTĀVDAĻAS

- Pirms sastāvdaļu pievienošanas, izņemiet cepšanas veidni no korpusa. Ja sastāvdaļas nonāks uz cepšanas vietas, uzkarstot uz sildelementiem tās var aizdegties.
- Cepšanas veidnē vienmēr sastāvdaļas lieciet norādītajā secībā.
- Lai tiktu panākts optimāls rauga rūgšanas rezultāts, visām sastāvdaļām jābūt istabas temperatūrai.
- Precīzi izmēriet sastāvdaļas. Pat nelielas novirzes no norādītā daudzuma var ietekmēt cepšanas rezultātu.

Piezīme

Nekad nelieciet lielāku daudzumu par norādīto. Pārāk daudz miklas var uzrūgt pāri cepšanas veidnei un uzkrīst uz sildelementiem, šādā veidā izraisot ugunsgrēku. Maks. 800g milti un 6g rauga!

MAIZES CEPŠANA SAGATAVOŠANA

Ievērojiet drošības instrukcijas, kas sniegtas šajā roks grāmatā. Novietojiet maizes ierīci uz līdzena un stabila pamata.

- Izvelciet cepšanas veidni no ierīces virzienā uz augšu.
- Uzspiediet maisīšanas lāpstiņas uz piedziņas vārpstas, kas atrodas cepšanas veidnē. Pārlicinieties, ka tās ir kārtīgi nostiprinātas.
- Ņemot vērā savas receptes norādījumus, lieciet sastāvdaļas norādītajā secībā cepšanas veidnē. Vispirms pievienojiet šķidrums, cukuru un sāli, tad miltus un kā pēdējo sastāvdaļu pievienojiet raugu.

Piezīme: Pārlicinieties, ka raugs nenokļūst kontaktā ar sāli vai šķidrums.

Maksimālo miltu un rauga daudzumu, ko var lietot, skatiet receptē.

- Ievietojiet cepšanas veidni ierīcē. Pārlicinieties, ka tā novietota pareizi.

- Aizveriet ierīces vāku.
- Iespraudiet rozetē strāvas vada kontaktdakšīņu. Būs dzirdams skaņa signāls un uz displeja parādīsies programmas numurs un 1. programmas normālais ilgums.
- Izvēlieties programmu ar izvēlnes pogas palīdzību. Datu ievade tiek apstiprināta ar skaņas signālu.
- Izvēlieties maizes nokrāsu. Uz displeja parādīs informācija, vai ir izvēlēta gaiša, vidēja vai tumša maizes nokrāsa. Jūs varat arī izvēlēties iestatījumu “Rapid” (Ātrs), lai paātrinātu cepšanas laiku.

Piezīme:

Programmām 6, 7, 11 nav pieejamas funkcijas „browning degree” (brūnuma pakāpe) un „Rapid” (ātrs).

- Tagad jums ir iespēja, izmantojot taimera funkciju, iestatīt programmas beigu laiku. Jūs varat ievadīt maksimālo aizturi līdz pat 15 stundām.

Piezīme:

Aiztures funkcija nav pieejama 11. programmai.

PROGRAMMAS UZSĀKŠANA

Uzsāciet programmu, izmantojot „Start/Stop” (Sākt/Apturēt) pogu.

Programma automātiski uzsāks dažādas darbības. Programmas izpildi varat vērot pa maizes cepšanas ierīces apskates lodziņu. Laiku pa laikam lodziņā var parādīties kondensāts. Ierīces vāku var atvērt maisīšanas laikā.

Piezīme:

Neveriet vaļā ierīces vāku cepšanas laikā. Maize var sakrist.

Padoms: Pēc 5 minūšu cepšanas pārbaudiet miklas gatavību. Tai jābūt mikstai un lipīgai. Ja tā ir pārāk sausa, pielejiet tai šķidrumu. Ja tā ir pārāk mitra, pievienojiet miltus (1/2 līdz 1 tējkarotei vienu vai divas reizes, pēc nepieciešamības).

PROGRAMMAS BEIGŠANA

Kad ir pabeigts cepšanas process, atskan desmit skaņas signāli un displejā parādās 0:00. Programmas beigās ierīce automātiski pārslēdzas uzsildīšanas režīmā, kas var ilgt līdz 60 minūtēm. Šī režīma laikā ierīces iekšpusē cirkulē siltais gaiss. Jūs varat priekšlaicīgi apturēt uzsildīšanas funkciju, turot nospiešanu „Start/Stop” (Sākt/Apturēt) pogu līdz sadzirdēsiet divus signālus.

BRĪDINĀJUMS

Pirms ierīces vāciņa atvēršanas, izvelciet no rozetes strāvas vadu. Ja ierīce netiek lietota, to nedrīkst atstāt pieslēgtu strāvai!

MAIZES IZŅEMŠANA

Ņemot ārā cepšanas veidni, vienmēr lietojiet katlu turētājus vai krāsns cimds. Turiet cepšanas veidni paceltu virs režģa un nedaudz pakratiet, līdz maize izslid no cepšanas veidnes. Ja maize nenoslīd no maisīšanas lāpstiņām, uzmanīgi izņemiet šīs lāpstiņas, izmantojot pievienoto maisīšanas lāpstiņu noņēmēju.

Piezīme:

Nelietojiet metāla priekšmetus, jo tie var saskrāpēt piedegumdrošo virsmu. Pēc maizes izņemšanas, uzreiz izskalojiet ar karstu ūdeni cepšanas veidni. Tas neļaus maisīšanas lāpstiņām pielipt pie piedziņas vārpstas.

Padoms: Ja jūs izņemsiet maisīšanas lāpstiņas pēc pēdējās miklas maisīšanas reizes, maize paliks neskartā, kad to ņemsiet ārā no cepšanas veidnes.

- Viegli piespiediet „Start/Stop” (Sākt/Apturēt) pogu, lai pārtrauktu cepšanas procesu vai izvelciet no rozetes strāvas vadu.
- Atveriet ierīces vāku un izņemiet cepšanas veidni. Jūs varat izņemt miklu ar miltainām rokām un noņemt maisīšanas lāpstiņas.
- Ielieciet atpakaļ miklu un aizveriet ierīces vāku.
- Iespraudiet strāvas vadu atpakaļ rozetē un nospiediet „Start/Stop” (Sākt/Apturēt) pogu. Cepšanas programma tiek turpināta. Pirms ēšanas, ļaujiet maizei 15-30 minūtes atdzist. Pirms maizes griešanas pārlicinieties, ka neviena no maisīšanas lāpstiņām neatrodas cepšanas veidnē.

Brīdinājums

Nemēģiniet darbināt maizes cepēju, pirms tas ir atdzisis vai uzsildīts. Ja pēc programmas uzsākšanas uz displeja parādās “HHH”, tas nozīmē, ka maizes cepēja iekšpusē ir pārāk augsta temperatūra. Jums jāaptur programma un nekavējoties jāatvieno strāvas vads no rozetes. Pirms atkārtotas lietošanas (izņemot programmām BAKE un JAM), atveriet vāku un ļaujiet ierīcei pilnībā atdzist. Ja pēc programmas uzsākšanas uz displeja parādās “LLL”, tas nozīmē, ka maizes cepēja iekšpusē ir pārāk zema temperatūra. Maizes cepēja lietošanai nepieciešama augstāka temperatūra (izņemot programmām BAKE un JAM). Ja displejā parādās „EE0”, pēc tam, kad esat nospiedis „Start/Stop” (Sākt/Apturēt) pogu, tas nozīmē, ka temperatūras sensoram ir pārtraukta ķēde, lūdzu, uzmanīgi pārbaudiet sensoru pie autorizēta speciālista. Ja displejā parādās “EE1”, tas nozīmē, ka temperatūras sensoram ir issavienojums.

TĪRĪŠANA UN APKOPE

Atslēdziet ierīci no barošanas avota un pirms tīrīšanas ļaujiet tai atdzist.

SVARĪGI:

Ierīces detaļas un piederumus nedrīkst mazgāt trauku mazgājamajā mašīnā.

- Maizes panna: Izberziet iekšpusi un ārpusi ar mitru drānu. Nelietojiet asus vai abrazīvus līdzekļus, lai nesabojātu piedegumdrošo pārklājumu. Panna pirms ievietošanas pilnībā jānožāvē.
- Jaucējasmens: Ja jaucēja stienis ir grūti noņemams no vārpstas, šādā situācijā piepildiet tvertni ar siltu ūdeni un ļaujiet tam uzsūkties apm. 30 minūtes. Pēc tam jaucēju var viegli noņemt, lai notīrītu. Tāpat asmeni rūpīgi noslaukiet ar mikstu kokvilnas drānu. Lūdzu, ievērojiet, ka maizes panna un jaucējasmens ir detaļas, ko var droši mazgāt trauku mazgājamā mašīnā.

- Vāks un lodziņš: Tīriet vāku no iekšpuses un ārpusē ar nedaudz mitru drānu.
- Korpuss: Rūpīgi noslaukiet korpusa ārējo virsmu ar mitru drānu. Nelietojiet nekādus abrazīvus tīrīšanas līdzekļus, jo tie sabojās spodrpulējuma virsmu. Nekādā gadījumā nemērciet tīrīšanai korpusu ūdenī.
- Pirms maizes cepšanas ierīces iepakojšanas uzglabāšanai pārlicinieties, ka tā ir pilnībā atdzisusi, tīra un sausa, kā arī ir aizvērts tās vāks.

TEHNISKIE DATI: 220-240V ~ 50Hz • 850W



Videi draudzīga atbrīvošanās no ierīces: Jūs

varat palīdzēt saudzēt vidi! Lūdzu, ievērojiet vietējo valsts likumdošanu, nogādājiet nedarbojošos elektrisko aprīkojumu piemērotā atkritumu savākšanas centrā.

NAUDOJIMOSI INSTRUKCIJA

Perskaitykite šią instrukciją prieš naudojimąsi ir išsaugokite ją ateičiai

SAUGOS INFORMACIJA

Prieš pradėdami naudoti šiuo prietaisu, būtina susipažinti ir suprasti bei laikytis šių įspėjimų:

- Perskaitykite visas instrukcijas.
- Prieš naudodamiesi prietaisu patikrinkite ar elektros maitinimo lizdo įtampa ir prietaiso plokštelėje nurodyta įtampa atitinka.
- Nenaudokite prietaiso jei pažeistas jo maitinimo kabelis ar maitinimo kištukas, jei prietaisas netinkamai veikia, jei jis buvo išmestas ar kitaip apgadintas. Gražinkite prietaisą gamintojui ar į artimiausias įgaliotas remonto dirbtuves apžiūrai, remontui, elektriniam ar mechaniniam reguliavimui.
- Nelieskite įkaitusių paviršių. Naudokite rankenas ar reguliatorius.
- Tam, kad apsaugotumėte nuo elektros šoko, nemerkite laido, kištukų ar korpuso į vandenį ar kitą skystį.
- Nenaudojamą prietaisą išjunkite iš maitinimo, taip pat išjunkite iš maitinimo prieš išardant ar prieš valymo darbus.
- Saugokite, kad maitinimo laidas nebūtų ties aštriais stalo paviršiais ir nesiliestų prie įkaitusių paviršių.
- Gamintojas nerekomenduoja naudoti jokių priedų šiam prietaisui, nes dėl to galimi susižalojimai.
- Šis prietaisas nėra skirtas naudoti asmenims (įskaitant vaikus) su fizine, sensorine ar protine negale, asmenims, kurie nemoka tokiomis prietaisais naudotis ar neturi pakankamų žinių, išskyrus atvejus, jei tokie asmenys yra prižiūrimi kitų ir yra asmuo, kuris atsakingas už saugų prietaiso naudojimą.
- Vaikai turi būti prižiūrimi tam, kad būtų užtikrinta, kad jie nežais su prietaisu.
- Nestatykite prietaiso netoli dujinių, elektrinių viryklių ar orkaitių.
- Nelieskite jokių judančių mašinos dalių kepimo metu.
- Niekada neįjunkite prietaiso jei į jį tinkamai neįstatytas duonos padėklas su užpildymu.
- Niekada nedaužykite duonos padėklą į prietaiso viršų ar šoną tam, kad nuimtumėte duonos padėklą.
- Į duonos keptuvą nedėkite metalinės folijos ar kitų panašių medžiagų, nes galite sukelti gaisrą ar trumpą jungimą.
- Niekada neuždenkite prietaiso rankšluosčiu ar kita medžiaga – karštis ir garai iš prietaiso turi išeiti laisvai. Jei ant prietaiso dėsite degančias medžiagas ar jomis jį uždengsite, galite sukelti gaisrą.
- Nenaudokite prietaiso ne pagal jo paskirtį.
- Prietaisą naudokite tik vidaus patalpose.
- Prietaisai nėra skirti naudojimui su išoriniu laikmačiu ar atskira nuotolinio valdymo sistema.
- Išsaugokite šią instrukciją.

Maks. kiekis: 800g miltų ir 6g mielių!

SKIRTA TIK BUITINIAM NAUDOJIMUI**PRIETAISO APŽVALGA** (žr. pav. 1)

- Prietaiso dangtis
- Žiūrėjimo langelis
- 2 minkymo mentelės
- Kepimo forma
- Valdymo skydelis
- Korpusas
- Minkymo mentelių nuėmiklis
- Matavimo puodelis
- Matavimo šaukštas

TINKAMAS NAUDOJIMAS**SAVYBĖS**

Galite naudoti šį automatinį duonos keptuvą duonai pagal savo skonį iškepti.

- Galite pasirinkti net iš 12 skirtingų kepimo programų.
- Galite naudoti jau paruoštus kepimo mišinius.
- Galite suminkyti tešlą ir makaronams, ir bandelėms su džemu.
- Naudodami kepimo programą „be gliuteno“ galėsite sėkmingai pagaminti kepimo mišinius be gliuteno ir receptus iš miltų be gliuteno, tokius, kaip kukurūzų miltai, grikių miltai ar bulvių miltai.

VALDYMO SKYDELIS (žr. pav. 2)**A. DISPLĖJUS**

- Displėjus rodo svorio pasirinktą (750g, 1000g, 1250g)
- Likusį kepimo laiką minutėmis ir užprogramuotą laiką
- Pasirinktą paskrudinimo laipsnį (Žemesnis → Vidutinis → Tamsus → Greitas)
- Pasirinktos programos numerį
- Programos eigos seką

B. MENU

Įjunkite norimą kepimo programą. Displėjuje atsiras programos numeris ir atitinkamas kepimo laikas.

Svarbu:

Spaudžiant visus liečiamuosius mygtukus turi pasigirsti akustinis signalas, išskyrus atvejus, jei prietaisas jau įjungtas.

C. KEPALO DYDIS

Pasirinkite norimą kepalo svorį (750g, 1000g, arba 1250g). Spauskite mygtuką tiek kartų, kol bus matomas norimas kepalo svoris.

Pastaba:

Pirminis kepalų dydžio nustatymas yra 1250g. Programoms 6, 7, 11 ir 12 nustatytas kepalų dydis nekeičiamas.

D. DELSOS LAIKMATEIS

Kepimo įjungimas vėliau.

E. SPALVA

Pasirinkite paskrudinimo laipsnį (Žemesnis → Vidutinis → Tamsus → Greitas). Spauskite spalvos mygtuką pakankamai kartų, kol atsiras norimo paskrudinimo laipsnis. Kepimo laikas pagal pasirinktą paskrudinimo laipsnį gali skirtis. 1-4 kepimo programoms galite įjungti greitą paskrudinimą spausdami mygtuką tol, kol trikampis rodytų greito paskrudinimo programą. Programoms 6, 7 ir 11 paskrudinimo spalva nenustatoma.

F. ĮJUNGIMAS/IŠJUNGIMAS

Naudojama prietaiso įjungimui ir išjungimui arba laikmačio nustatymų anuliavimui. Jei norite laikinai išjungti prietaiso veikimą, trumpam nuspauskite įjungimo/išjungimo mygtuką - turi pasigirsti akustinis signalas ir displėjuje imti mirksėti laikas. Nuspaudus įjungimo/išjungimo mygtuką dar kartą, prietaiso veikimas vėl bus įjungtas. Jei įjungimo/išjungimo mygtuko nenuspausite, mašina po 10 minučių vėl įsijungs į nustatytą programą. Jei norite baugti kepimo darbus ir ištrinti nustatymus, spauskite ir laikykite paspaudę įjungimo/išjungimo mygtuką 3 sekundes, kol išgirsite ilgą akustinį signalą.

Pastaba:

Nespauskite įjungimo/išjungimo mygtuko jei norite patikrinti kaip kepa jūsų duona.

ATMINTIES FUNKCIJA

Jei mašina išsijungtų dėl maitinimo sutrikimų, ji po 10 minučių atsiras duonos maitinimui vėl įsijungs ir bus tęsiama programa nuo tos vietos, kur išsijungė mašina. Tačiau tai netaikytina tais atvejais, kada išjungiate/atšaukiate kepimo procesą paspausdami ir laikydami įjungimo/išjungimo mygtuką 3 sekundėms.

LANGELIS

Kepimo procesą galite stebėti pro langelį.

KEPIMO PROGRAMOS

Norimą programą pasirinkite spausdami meniu mygtuką. Atitinkamas programos numeris bus rodomas displėjuje. Kepimo laikas priklauso nuo pasirinktos programos. Žr. skyrelį „Programų seka“.

1 KEPIMO PROGRAMA: „BASIC“ (PAGRINDINĖ)

Baltai ir maišyti duonai iš kvietinių arba kvietinių ir ruginių miltų. Duona yra kompaktiškos konsistencijos. Tokios duonos paskrudinimo laipsnį galėsite nustatyti pagal pageidavimus.

2 KEPIMO PROGRAMA: „FRENCH“ (PRANCŪZIŠKA DUONA)

Lengvai duonai, kuri kepama iš smulkių miltų. Tokia duona paprastai būna minkšta su traškia pluta. Ši programa netinka receptams, kur naudojamas sviestas, margarinas ar pienas.

3 KEPIMO PROGRAMA: „WHOLE WHEAT“ (RUPŪS KVIETINIAI MILTAI)

Sunkesnės konsistencijos duonai kepti reikia ilgesnio maišymo ir kildinimo (pavyzdžiui, jei ketinate kepti rupią kvietinę ar rupią ruginę duoną). Tokia duona kompaktiškesnė ir sunkesnė.

4 KEPIMO PROGRAMA: „SWEET“ (SALDI DUONA)

Ši programa skirta duonai su priedais, tokiais, kaip vaisių sultys, kokoso drožlės, razinos, džiovinti vaisiai, šokoladas ar cukrus. Dėl ilgesnio kildinimo duona bus lengvesnė, joje bus daugiau oro skylučių.

5 KEPIMO PROGRAMA: „SUPER RAPID“ (ITIN GREITA)

Minkymas, kildinimas ir kepimas vyksta labai greitai. Tačiau šia programa iškepta duona bus prastesnės kokybės.

6 KEPIMO PROGRAMA: „DOUGH“ (TEŠLA)

Skirta mielinųjų spurgų, picos ar pynučių tešlai paruošti. Šios programos metu kepimas neatliekamas.

7 KEPIMO PROGRAMA: „PASTE DOUGH“ (MAKARONŲ TEŠLA)

Skirta makaronų tešlai pagaminti. Šios programos metu kepimas neatliekamas.

8 KEPIMO PROGRAMA: „BUTTERMILK BREAD“ (GRIETINĖLĖ)

Duonai su grietinėle ar jogurtu.

9 PROGRAMA: „GLUTEN FREE“ (BE GLIUTENO)

Duonai iš miltų be gliuteno ir kepimo mišiniams. Miltai be gliuteno ilgiau pasisavina skysčius ir pasižymi ilgesnėmis kilimo savybėmis.

10 KEPIMO PROGRAMA: „CAKE“ (PYRAGAS)

Pyrago su kepimo soda arba kepimo milteliais minkymas, kildinimas ir kepimas.

11 PROGRAMA: „JAM“ (DŽEMAS)

Džemų gamybai.

12 PROGRAMA: „BAKE“ (KEPIMAS)

Papildomam duonos kepimui tais atvejais, jei duona iškepė nepakankamai. Šios programos metu minkymas ir kildinimas neatliekamas. Duona bus šilta maždaug valandą po kepimo procedūros pabaigos. Taip duona apsaugoma nuo per didelio drėgnumo.

- Jei norite šią funkciją išjungti anksčiau laiko, spauskite ir tris sekundes laikykite įjungimo/išjungimo mygtuką, kol pasigirs ilgas akustinis signalas. Tam, kad gautinai išjungtumėte prietaisą, atjunkite jo maitinimą iš maitinimo lizdo.

1, 2, 3, 4, 5, 6, 8 ir 9 programų metu girdisi trumpas akustinis signalas programos eigos sekoje. Netrukus po to įdėkite ingredientus, tokius, kaip vaisiai ar riešutai. Ir atsiras „ADD“ (įdėti) užrašas. Ingredientų minkymo mentelės nesukapoja ir nesusmulkina. Jei įjungėte delsos laikmatį, visus ingredientus į kepimo formą galite sudėti iš pat pradžių. Tačiau šiais atvejais vaisiai ir riešutai bus turi būti susmulkinti mažesniais gabalėliais.

LAIKMAČIO NUSTATYMAS

Laikmačio funkcija suteikia galimybę įjungti kepimą vėliau. Rodykliniais klavišais < ir > nustatykite reikiamą kepimo pabaigos laiką. Pasirinkite programą. Displėjuje bus rodomas reikiamas kepimo laikas. Naudodamiesi rodyklės klavišu < ir > galite pakeisti kepimo pabaigos laiką 10 minučių pakopomis į vėlesnį. Laikykite rodyklinį klavišą nuspaudę jei norite, kad funkcija būtų greitesnė. Displėjus rodo bendrą kepimo laiką ir dėslos laiką. Jei keisdami laiką nustatytumėte per daug, galite pakoreguoti laiką naudodami rodyklinį klavišą < ir >. Patvirtinkite laikmačio nustatymą įjungimo/išjungimo mygtuku. Displėjuje mirksės dvitaškis ir bus pradėta užprogramuoto laiko atskaita. Kai kepimo procesas bus baigtas, pasigirs dešimt akustinių signalų, o displėjuje atsiras užrašas 0:00.

Pavyzdys:

Dabar 8.00 ryto ir norite, kad šviežia duona būtų iškepta po 7 val. ir 15 minučių, t.y. 15:15. Pirmiausia pasirinkite 1 programą, tada spauskite laikmačio mygtuką, kol displėjuje bus rodoma 7:15, nes duonos kepimo užbaigimo laikas yra po 7 val. ir 15 minučių. Atkreipiam dėmesį į tai, kad laikmačio funkcija džemo programai neveikia.

Pastaba

Nenaudokite laikmačio funkcijos su greitai gendančiais produktais, tokiais, kaip kiaušiniai, pienas, grietinėlė ar širis.

PRIEŠ PRADEDANT KEPTI

Jei norite, kad kepimo procesas būtų sėkmingas, atsižvelkite į šiuos dalykus:

INGREDIENTAI

- Iš korpuso, prieš sudedant ingredientus, išimkite kepimo formą. Jei ingredientai siekia kepimo zoną, kaitinami kaitinimo elementu jie gali imti degti ar skrusti.
- Visada ingredientus sudėkite į formą atitinkama seka.
- Visi ingredientai turi būti kambario temperatūros tam, kad tinkamai kiltų mielės.
- Ingredientų kiekį visada matuokite tiksliai. Net ir nedideli nuokrypiai nuo recepte nurodytų kiekių gali turėti neigiamos įtakos kepimo rezultatams.

Pastaba

Niekada nenaudokite didesnių produktų kiekių, nei nurodyta. Jei įdėsite per daug tešlos, ji gali imti dribsni iš kepimo formos ir užkristi ant kaitinimo elementu, kas gali sukelti gaisrą. Maks. 800g miltų ir 6g mielių!

DUONOS KEPIMAS

PASIRUOŠIMAS

Perkaitykite visas šioje instrukcijoje esančias saugos taisykles. Duonos kepimo mašiną pastatykite ant tvirtu ir lygaus pagrindo.

- Iš prietaiso ištraukite kepimo formą.
- Užspauskite minkymo menteles ant pavaros veleno kepimo formoje. Patikrinkite ar jos tvirtai laikosi vietoje.
- Ingredientus sudėkite į formą atitinkama seka pagal jūsų receptą. Pirmiausia supilkite skysčius, tada sudėkite cukrų, druską, tada miltus ir mieles pabaigoje.

Pastaba: Įsitikinkite, kad mielės nesilies su druska ar skysčiais.

Dėl maksimalaus miltų ir mielių kiekio žiūrėkite recepte pateiktą informaciją.

- Atgal į prietaisą sudėkite kepimo formą. Patikrinkite ar ji įdėta teisingai.
- Uždarykite prietaiso dangtį.
- Į maitinimo lizdą įjunkite aparato maitinimo laidą. Turi pasigirsti akustinis signalas, displėjuje turi atsirasti programos numerius ir įprastos 1 programos trukmė.
- Pasirinkite savo programą naudodami meniu mygtuką. Kiekvieną įvesti patvirtina akustinis signalas.
- Pasirinkite norimą duonos spalvą. Žymė displėjuje rodo, ar pasirinkote šviesią, vidutinę, ar tamsią spalvą. Taip pat galite įjungti „Rapid“ (greitas kepimas) nustatymą jei norite sutrumpinti kepimo laiką.

Pastaba:

6, 7, 11 programoms funkcijos „paskrudinimo laipsnis“ ir „greitas kepimas“ neveikia.

- Dabar turite galimybę nustatyti jūsų programos pabaigos laiką naudodamiesi taimerio funkcija. Galite įvesti maksimalią dėsą iki 15 valandų.

Pastaba:

Dėslos funkcija 11 programai neveikia.

PROGRAMOS ĮJUNGIMAS

Dabar įjunkite programą įjungimo/išjungimo mygtuku. Programa automatiškai įjungs įvairias funkcijas. Programos seką galite žiūrėti per kepimo mašinos langelį. Ant langelio, kepimo metu, gali kartas nuo karto susikaupti kondensato. Minkymo metu prietaiso dangtį galima atidaryti.

Pastaba:

Prietaiso dangčio kepimo metu neatidarinėkite. Dėl to gali susmęgti duona.

Patarimas: Po 5 minkymo minučių patikrinkite tešlos konsistenciją. Tešla turi būti minkšta, vientisa ir lipni. Jei tešla per sausa, įpikite šiek tiek skysčio. Jei tešla per šlapia, įdėkite šiek tiek miltų (nuo 1/2 iki 1 arbatinio šaukštelio vieną ar kelis kartus, priklausomai kiek reikėtų).

PROGRAMOS UŽBAIGIMAS

Kai kepimo procesas bus baigtas, pasigirs dešimt akustinių signalų ir displėjuje bus rodoma 0:00. Programos pabaigoje prietaisas automatiškai įsijungs į pašildymo režimą, kuris trunka iki 60 minučių. Šio režimo metu šiltas oras cirkuliuoja prietaiso viduje. Pašildymą galite išjungti anksčiau laiko paspausdami ir palaikydami įjungimo/išjungimo mygtuką, kol pasigirs du akustiniai signalai.

ĮSPĖJIMAS

Prieš atidarant dangtį, ištraukite prietaiso maitinimo laidą iš maitinimo lizdo. Niekada nepalikite įjungto nenaudojamo prietaiso!

DUONOS IŠĖMIMAS

Duonos kepimo formą su duona visada išiminėkite tik su puodo laikikliu ar kulinarinėmis pirštinėmis. Laikykite kepimo formą kiek pakreiptą ir pakratykite ją nesmarkiai, kad duona išslystų iš kepimo formos. Jei duona nenuslysta nuo minkymo mentelių, atsargiai išimkite menteles specialiu mentelių išėmikliu.

Pastaba:

Nenaudokite metalinių įrankių, nes jie gali subraižyti neliptų įrangos paviršių. Kai išimsite duoną, kuo skubiau išplaukite kepimo formą šiltu vandeniu. Taip apsaugosite, kad minkymo mentelės nepriktų prie pavaros veleno.

Patarimas: Jei išimsite minkymo menteles po paskutinio tešlos minkymo, duona liks nepaliekta kai išimsite ją iš kepimo formos.

- Trumpam paspauskite įjungimo/išjungimo mygtuką, kad nutrauktumėte kepimo procesą arba ištraukite maitinimo laidą iš maitinimo lizdo sienoje.
- Atidarykite prietaiso dangtį ir išimkite kepimo formą. Tešlą galite išimti miltuotomis rankomis ir išimkite minkymo menteles.
- Pakeiskite tešlą ir uždarykite prietaiso dangtį.
- Atgal į sieninį maitinimo lizdą įjunkite prietaiso maitinimo laidą ir nuspauskite įjungimo/išjungimo mygtuką. Kepimo programa bus tęsiama. Leiskite duonai atvėsti apie 15-30 minučių prieš valgant. Prieš raikant duoną, patikrinkite ar kepimo formoje nėra minkymo mentelių.

Įspėjimas

Nebandykite naudoti duonos kepimo įrangos kol ji nepakankamai atvėso arba nepakankamai įšilo. Displėjus rodyd „HHH“ po to, kai bus įjungta programa, o tai reiškia, kad temperatūra duonos formoje yra per didelė. Jūs turėtumėte sustabdyti programą ir kuo skubiau išjungti įrangos maitinimo laidą iš maitinimo lizdo. Tada atidarykite dangtį ir leiskite mašinai visiškai atvėsti prieš ją naudojantis vėl (išskyrus BAKE ir JAM programą). Displėjus rodyd „LLL“ po to, kai bus įjungta programa, o tai reiškia, kad temperatūra duonos formoje yra per žema. Tokiu atveju reikės

pašildyti duonos kepimo įrangą (išskyrus BAKE ir JAM programą). Jei displėjuje atsiranda užrašas „EE0“ po to, kai paspaudžiate įjungimo/išjungimo mygtuką, reiškia, kad atsijungė temperatūros sensorius - nugabinkite mašiną į atstovybę apžiūrai. Jei rodomas užrašas „EE1“, reiškia, kad įvyko temperatūros sensoriaus užtrumpinimas.

VALYMAS IR TECHNINĖ PRIEŽIŪRA

Atjunkite mašiną iš maitinimo lizdo ir palaukite kol ji atvės – tik tada valykite.

SVARBU:


Prietaiso dalių ir reikmenų neplaukite indaplovėje.

- Duonos padėklas (skarda): Išvalykite vidų ir išorę drėgnu skudurėliu. Nenaudokite aštrių ar šveičiamųjų priemonių, nes apgadinsite skardos apsauginį sluoksnį. Skardai reikia visiškai išdžiovinti prieš įdedant atgal į keptuvą.
- Minkymo mentė: Jei minkymo mentė nuo ašies nusiima sunkiai, tokiu atveju užpildykite talpą šiltu vandeniu ir palaukite apie 30 minučių, kol vanduo įsigers. Tada minkytuvą valymui bus lengva išimti. Taip pat drėgnu medvilniniu skudurėliu nuvalykite mentę. Atkreipkite dėmesį į tai, kad skardą ir minkymo mentę galima plauti indaplovėje.
- Dangtis ir langelis: dangčio vidų ir išorę nuvalykite lengvai sudrėkintu skudurėliu.
- Korpusas: drėgnu skudurėliu atsargiai nuvalykite išorinę korpuso dalį. Nenaudokite jokių šveičiamųjų priemonių, nes jomis galite apgadinti paviršių. Niekada valymo tikslais nemerkitė korpuso į vandenį.
- Prieš supakuojant duonos keptuvą laikymui, būtina patikrinkite ar jis atvėšęs, sausas ir švarus ir ar uždegtas dangtis.

TECHNINIAI DUOMENYS:

220-240V ~ 50Hz • 850W



Aplinkai saugus išmetimas: Jūs galite padėti saugoti aplinką! Nepamirškite laikytis vietos  reikalavimų: atitarnavusius elektros prietaisus atiduokite į atitinkamą atliekų utilizavimo centrą.

UPUTSTVO ZA UPOTREBU

Pre upotrebe pažljivo pročitajte ovu brošuru i sačuvajte je za kasniju upotrebu.

VAŽNE MERE BEZBEDNOSTI:

Pre korišćenja električnog uređaja uvek se pridržavajte nevedenih osnovnih bezbednosnih uputstava:

1. Pročitajte sva uputstva.
2. Pre upotrebe proverite da li napon utičnice odgovara naponu prikazanom na nazivnoj pločici.
3. Ne upotrebljavajte ni jedan uređaj sa oštećenim kablom ili utikačem, nakon kvarova ili ukoliko ste ga ispustili ili oštetili na bilo koji način. Vratite uređaj proizvođaču ili najbližem ovlašćenom serviseru na pregled, popravku ili električno ili mehaničko podešavanje.
4. Ne dirajte zagrejane površine. Upotrebite ručice ili dugmad.
5. Da biste se zaštitili od električnog udara, ne uranjajte kabl, utikače ili kućište u vodu ili neku drugu tečnost.
6. Uređaj isključite iz utičnice kada nije u upotrebi, pre stavljanja ili skidanja delova, kao i pre čišćenja.
7. Ne dozvolite da kabl visi preko ivice stola ili na zagrejanoj površini.
8. Upotreba dodatne opreme koju nije preporučio proizvođač može da dovede do povreda.
9. Ovaj uređaj nije namenjen za upotrebu od strane osoba (uključujući decu) sa smanjenim fizičkim, senzornim ili mentalnim kapacitetima, nedostatkom iskustva ili znanja, osim u slučaju da se nalaze pod nadzorom ili obukom o korišćenju uređaja od strane osobe odgovorne za njihovu bezbednost.
10. Decu treba nadzirati kako se ne bi igrala uređajem.
11. Ne postavljajte uređaj na ili u blizini zagrejane pećnice na gas ili struju, niti u zagrejanu rernu.
12. Ne dodirujte pokretne ili rotirajuće delove mašine u toku pečenja.
13. Nikada ne uključujte uređaj bez ispravno postavljene posude za hleb ispunjene sastojcima.
14. Nikada ne udarajte vrh ili ivicu posude za hleb da biste je izvadili, to bi moglo da je ošteti.
15. U aparat za hleb ne treba ubacivati metalnu foliju ili druge materijale, jer to može da dovede do rizika od požara ili kratkog spoja.
16. Nikada ne pokrивajte aparat za hleb krpom ili nekim drugim materijalom, jer toplota i para moraju nesmetano da se oslobađaju iz uređaja. Ako uređaj pokrijete, ili stupi u dodir sa, nekim zapaljivim materijalom, može doći do požara.
17. Ne koristite uređaj u svrhe za koje nije namenjen.
18. Ne koristiti napolju
19. Uređaj nije namenjen za rukovanje pomoću spoljnog tajmera ili posebnog sistema za daljinsko upravljanje.
20. Sačuvajte ova uputstva

Max. količina: 800g brašna i 6g kvasac!

SAMO ZA KUĆNU UPOTREBU

PREGLED DELOVA APARATA (sl. 1)

1. Poklopac
2. Prozorčić za kontrolu
3. 2 poluge za mešenje testa
4. Posuda za pečenje
5. Kontrolna ploča
6. Kućište
7. Ručica za odvajanje poluge za mešenje
8. Posuda za merenje
9. Kašika za merenje

PRAVILNA UPOTREBA SVOJSTVA APARATA

Možete koristiti ovaj automatski aparat za pečenje hleba da ispečete hleb po svom ukusu.

- Možete izabrati između 12 različitih programa za pečenje.
- Možete koristiti gotove smeše za pečenje.
- Možete mesiti testo za rezance i zemičke i praviti džem.
- Sa „gluten-free“ programom za pečenje, možete uspešno spremiti bezglutenska testa i recepte sa bezglutenskim brašnom, kao što su kukuruzno, heljdino i krompirno brašno.

KONTROLNA PLOČA (pogledajte sl. 2)

A. DISPLEJ

1. Display za biranje težine (750g, 1000g, 1250g)
2. Preostalo vreme pečenja u minutima i programirano vreme
3. Izabrani stepen pečenosti (Lower → Medium → Dark → Rapid)
4. Broj izabranog programa
5. Redosled programiranih operacija

B. MENI

Unesite željeni program za pečenje. Broj programa i odgovarajuće vreme pečenja će se pojaviti na displeju.

Važno:

Kada pritisnete dugmad mora se začuti zvučni signal, osim ako je aparat u radu.

C. VELIČINA VEKNE

Izaberite bruto težinu (750g, 1000g, i 1250g). Pritisnite dugme dovoljni puta dok se obeleživač ne pojavi ispod željene težine.

Napomena:

Težina podešena po difoltu nakon uključivanja aparata je 1250g. Programi 6, 7, 11 i 12 ne mogu prilagoditi veličinu vekne.

D. Tajmer za vremensku odgodu pečenja

Vremenski odgođeno pečenje.

E. BOJA

Izaberite stepen pečenosti (Lower → Medium → Dark → Rapid). Pritisnite dugme Color onoliko puta dok se obeleživač ne pojavi iznad željenog stepena pečenosti. Vreme pečenja se menja u zavisnosti od izabranog stepena pečenosti. Programima za pečenje 1-4 možete aktivirati brzi mod pritiskanjem dugmeta dok trougao

ne označi brzi program. Programima 6, 7, i 11 ne možete birati stepen pečenosti.

F. START/STOP

Za počinjanje i zaustavljanje rada ili za brisanje programa tajmera. Da biste zaustavili rad, kratko pritisnite dugme Start/Stop, dok ne začujete zvučni signal i dok indikator lampica ne zasvetli na displeju. Rad će biti nastavljen ponovnim pritiskanjem dugmeta Start/Stop. Ukoliko ne pritisnete dugme Start/Stop ručno, nakon 10 minuta aparat će automatski nastaviti da radi po već izabranom programu. Da biste zaustavili rad i izbrisali podešavanja, držite dugme Start/Stop pritisnuto 3 sekunde dok ne začujete dugi zvučni signal.

Napomena:

Ne pritisćajte dugme Start/Stop, ako želite samo da proverite stanje hleba koji pečete.

FUNKCIJA MEMORIJE

Kada se aparat ponovo uključi nakon nestanka struje do približno 10 minuta, aparat će nastaviti sa radom po programu tamo gde je prekinuo. Ovo, međutim, ne važi ako prekinete rad aparata pritiskom na dugme Start/Stop u trajanju od 3 sekunde.

PROZORČIĆ ZA KONTROLU

Proces pečenja možete pratiti kroz prozorčić za kontrolu.

PROGRAMI ZA PEČENJE

Birate željeni program pritiskom na dugme na meniju. Na displeju će se pojaviti odgovarajući broj programa. Vreme pečenja zavisi od izabranih programskih kombinacija. Vidite odeljak „Redosled programa“.

PROGRAM ZA PEČENJE 1: OSNOVNI

Za hleb od belog i mešovitog brašna koje je uglavnom pšenično ili raženo. Hleb je kompaktno čvrstoće. Možete prilagoditi stepen zapečenosti pritiskom na dugme Color.

PROGRAM ZA PEČENJE 2: FRANCUSKI

Za lake hlebove pravljene od finog brašna. Normalno je hleb mekan i ima hrskavu koru. Ovaj program nije pogodan za pečenje po receptima koji zahtevaju puter, margarin ili mleko.

PROGRAM ZA PEČENJE 3: INTEGRALNI

Za hlebove od različitih vrsti teškog brašna koje zahtevaju duže mešenje i duže vreme stasavanja testa (na primer integralno i raženo brašno). Hleb će biti kompaktniji i težji.

PROGRAM ZA PEČENJE 4: SLATKI

Za hlebove sa aditivima kao što su sokovi, rendani kokosov orah, suvo grožđe, suvo voće, čokolada ili šećer. Zbog dužeg vremena stasavanja testa hleb će biti lagan i vazdušast.

PROGRAM ZA PEČENJE 5: SUPER BRZI

Mešenje, stasavanje i pečenje na brzi način. Ovaj pečeni hleb je najgrublji od svih hlebova u meniju.

PROGRAM ZA PEČENJE 6: TESTO

Za pripremu testa za zemičke, pice ili pletenice. U ovom programu nema pečenja.

PROGRAM ZA PEČENJE 7: TESTO ZA REZANCE

Za pripremu testa za rezance. U ovom programu nema pečenja.

PROGRAM ZA PEČENJE 8: HLEB SA SURUTKOM

Za hlebove koji se prave sa surutkom ili jogurtom.

PROGRAM ZA PEČENJE 9: BEZGLUTENSKI HLEB

Za hlebove od bezglutenskog brašna i smeša za pečenje. Bezglutensko brašno zahteva duže vremena za upijanje tečnosti i ima različite odlike stasavanja.

PROGRAM ZA PEČENJE 10: KOLAČ

Mešenje, stasavanje i pečenje, ali stasavanje uz pomoć sode bikarbone ili praška za pecivo.

PROGRAM ZA PEČENJE 11: DŽEM

Za spravljanje džemova.

PROGRAM ZA PEČENJE 12: PEČENJE

Za dodatno pečenje hlebova koji su previše laki ili nedovoljno pečeni. U ovom programu nema mešanja niti stasavanja. Toplota hleba će se održavati još gotovo sat vremena nakon prestanka programa pečenja. Ovo sprečava da hleb postane previše vlažan.

- Da biste prevremeno zaustavili ovu funkciju držite pritisnuto dugme Start/Stop tri sekunde, dok se ne začuje dugi zvučni signal. Da biste isključili aparat, isključite aparat iz struje.

U programima 1, 2, 3, 4, 5, 6, 8 i 9 čuje se brzi zvučni signal za vreme određenih programskih radnji. Ubrzo posle tog signala, dodajte sastojke kao što su voće ili koštunavo voće. Pokazaće se oznaka "ADD". Mešalica za testo ne secka ove sastojke.

Ukoliko ste programirali vreme za odgodu pečenja, možete na početku staviti sve sastojke u posudu za pečenje. U ovom slučaju, međutim, voće i koštunavo voće moraju biti sitnije iseckani.

PODEŠAVANJE TAJMERA

Funkcija za podešavanje tajmera omogućava odgodu pečenja. Korišćenjem dugmadi sa strelicama < i >, podesite željeno vreme završetka pečenja. Izaberite program. Na displeju će se ukazati izabrano vreme pečenja. Korišćenjem dugmeta sa strelicom < i > možete menjati vreme završetka pečenja produžavajući ga za 10 minuta svakim pritiskom. Držite dugme sa strelicom pritisnuto kako biste ovu funkciju brže podesili. Na displeju će se ukazati ukupno vreme pečenja i vreme odgode. Ukoliko preterate sa podešavanjem vremena, možete ga korigovati pritiskom na dugme sa strelicom < i >. Onda pritiskom na dugme Start/Stop potvrdite izvršeno podešavanje. Dve tačke na displeju će zasvetleti i programirano vreme počinje da teče. Kada se proces pečenja završi, začuće se deset zvučnih signala a na displeju će se pojaviti oznaka 0:00.

Primer:

8 je sati ujutru a vi biste želeli sveži hleb za 7 sati i 15 minuta, u 3:15. Najpre izaberite program 1, zatim pritisnite dugme za tajmer dok se na displeju ne pojavi 7:15, kao vreme za koje će se završiti pečenje hleba - za 7 sati i 15 minuta. Napomena: tajmer funkcija možda ne bude na raspolaganju u programu za pravljenje džema.

Napomena

Ne koristite funkciju za tajmer kada radite sa lako kvarljivim sastojcima kao što su jaja, mleko, šlag ili sir.

PRE PEČENJA

Za uspešno pečenje hleba, molimo vas da uzmete u obzir sledeće faktore:

SASTOJCI

- Izvadite posudu za pečenje iz kućišta, pre nego što u nju stavite sastojke. Ako sastojci dođu u dodir sa prostorom za pečenje, njihovim zagrevanjem se može izazvati požar.
- Uvek stavljajte sastojke u posudu za pečenje utvrđenim redosledom.
- Temperatura svih sastojaka mora biti jednaka sobnoj temperaturi kako bi se postiglo optimalno stasavanje testa.
- Precizno izmerite sastojke. Čak i neznatna odstupanja od količina navedenih u receptu mogu uticati na rezultat pečenja.

Napomena

Nikada ne koristite količine veće od naznačenih. Previše testa može narasti i izaći iz posude za pečenje i padanjem na grejače može izazvati požar. Max. 800g brašna i 6g kvasac!

PEČENJE HLEBA**PRIPREMA**

Pogledajte instrukcije u ovom uputstvu. Postavite aparat za pečenje na ravnu i čvrstu osnovu.

- Izucite na gore posudu za pečenje iz aparata.
- Ubacite poluge za mešenje testa u držače koji se nalaze u posudi za pečenje. Proverite da čvrsto stoje u držačima.
- Stavljate sastojke u posudu za pečenje po redosledu naznačenom u receptu. Najpre sipajte tačne sastojke, šećer i so, a potom brašno, dodajući kvasac kao poslednji sastojak.

Napomena: Postarajte se da kvasac ne dođe u dodir sa soli ili tečnim sastojcima.

Za maksimalne količine brašna koje se mogu koristiti pogledajte recept.

- Vratite posudu za pečenje nazad u aparat. Proverite da li je pravilno postavljena.
- Zatvorite poklopac na aparatu.
- Uključite utikač u struju. Začuje se zvučni signal i na displeju će se pokazati broj programa i vreme trajanja normalnog programa 1.

- Izaberite željeni program pritiskom na dugme u meniju. Svaka podešena funkcija biće praćena zvučnim signalom.
- Izaberite stepen pečenosti hleba. Oznaka na displeju će pokazati jeste li izabrali pečenje do svetle, srednje ili tamne boje hleba. Možete izabrati i funkciju „Rapid“ kako biste skratili vreme pečenja.

Napomena:

Funkcije za podešavanje stepena pečenosti "Color" i za ubrzano pečenje „Rapid“ nisu na raspolaganju u programima 6,7,11.

- Ovde imate mogućnost podešavanja vremena završetka pečenja pomoću funkcije tajmera. Možete podesiti vreme odgođenog završetka pečenja do maksimalno 15 sati.

Napomena:

Ova funkcija za vremensko odgađanje pečenja nije dostupna u programu 11.

POKRETAJE PROGRAMA

Pokrenite program koristeći dugme Start/Stop. Program će automatski obavljati različite operacije. Redosled programskih operacija možete pratiti kroz prozorčić za kontrolu. Ponekad se na prozorčiću može pojaviti kondenzacija. Poklopac na aparatu se može otvoriti za vreme operacije mešenje.

Napomena:

Ne otvarajte poklopac na aparatu u toku pečenja. Hleb može splasnuti.

Savet: Posle 5 minuta mešenja, proverite tvrdoću testa. Testo bi trebalo da bude mekano i lepljivo. Ako je previše suvo, dodajte malo tečnosti. Ako je previše vlažno, dodajte malo brašna (1/2 do 1 kafena kašičica jednom ili više puta, po potrebi).

ZAUSTAVLJANJE PROGRAMA

Kada se proces pečenja završi, začuje se 10 zvučnih signala i na displeju će se pojaviti oznaka 0:00. Po završetku programa aparat će se automatski prebaciti u mod za zagrevanje u trajanju od 60 minuta. U ovom modu, topli vazduh cirkuliše unutar aparata. Možete prevremeno zaustaviti ovu funkciju zagrevanja pritiskom na dugme Start/Stop koje držite sve dok se ne začuju dva zvučna signala.

UPOZORENJE

Pre nego što otvorite poklopac na aparatu, izvucite utikač iz struje. Kada se ne koristi, aparat nikada ne treba biti uključen !

VAĐENJE HLEBA

Kada vadite hleb iz posude, uvek koristite držače ili rukavice za rernu. Držite posudu malo iskošeni preko rešetke i lagano protresite dok hleb ne isklizne iz posude za pečenje. Ako hleb ne može da ispadne, pažljivo uklonite mešalice korišćenjem otvarača za poluge za mešenje testa, koji ide uz aparat.

Napomena:

Ne koristite metalne predmete koji mogu izgrebati nelepljivu prevlaku na posudi. Kada izvadite hleb, odmah isperite posudu za pečenje toplom vodom. Ovo će sprečiti da se poluge za mešenje zalepe za držače.

Savet: Ako poluge za mešenje uklonite posle poslednjeg mešenja testa, oblik hleba će ostati nepromenjen kada ga izvadite iz posude za pečenje.

- Kratko pritisnite dugme Start/Stop, da biste prekinuli proces pečenja ili isključili aparat iz struje.
- Otvorite poklopac na aparatu i izvadite posudu za pečenje. Testo možete izvaditi rukama posutim brašnom i uklonite poluge za mešenje.
- Vratite testo u posudu i zatvorite poklopac na aparatu.
- Utaknite utikač u struju i pritisnite dugme Start/Stop. Program za pečenje se nastavlja. Pre jela, neka se hleb ohladi 15-30 minuta. Pre nego što isečete hleb, proverite da poluga za mešenje nije ostala u posudi za pečenje.

Upozorenje

Ne pokušavajte da aktivirate rad aparata za pečenje hleba pre nego što se ohladi ili zagreje. Ako se na displeju pojavi "HHH" nakon što je program pokrenut, to znači da je temperatura unutar posude za pečenje previsoka. Odmah treba zaustaviti program i isključiti aparat iz struje. Zatim otvorite poklopac i pustite da se aparat potpuno ohladi pre nego što ga opet koristite (osim za programe PEČENJE i DŽEM). Ako se na displeju pojavi "LLL" nakon što je program pokrenut, to znači da je temperatura unutar posude za pečenje previše niska. Treba dopustiti aparatu da se dovoljno zagreje pre korišćenja (osim za programe PEČENJE i DŽEM). Ako se na displeju pojavi "EE0" nakon što ste pritisnuli dugme Start/Stop, to znači da je kolo u senzoru prekinuto i da ga treba pogledati ovlašćeni serviser. Ako se na displeju pojavi "EE1", to znači da je u senzoru temperature došlo do kratkog spoja.

ČIŠĆENJE I ODRŽAVANJE

Pre čišćenja isključite mašinu sa napajanja i ostavite je da se ohladi.

VAŽNO:

Delove uređaja i njegove dodatke ne treba prati u mašini za pranje posuđa.

- posuda za hleb: Istrljajte vlažnom krpom spolja i iznutra. Ne koristite oštre predmete i abrazivna sredstva za čišćenje, da biste zaštitili teflonski sloj. Pre montiranja posuda mora da bude potpuno suva.
- sečivo za mešenje: Ako se šipka za mešenje teško skida sa osovine, napunite rezervoar toplom vodom i ostavite da upije oko 30 minuta. Mesilica se tada lako vadi radi čišćenja. Sečivo takođe pažljivo prebršite vlažnom pamučnom krpom. Posuda za hleb i sečivo za mešenje mogu se prati u mašini za pranje posuđa.
- poklopac i prozor: poklopac očistite vlažnom krpom spolja i iznutra.
- Kućište: pažljivo prebršite spoljašnjost kućišta vlažnom krpom. Ne koristite abrazivna sredstva za čišćenje, jer će to oštetiti ispoliranu površinu. Nikada ne uranjajte kućište u vodu radi čišćenja.
- Pre nego što aparat spakujete i odložite, proverite da li se u potpunosti ohladio, dali je čist i suv, kao i da li je poklopac zatvoren.

TEHNIČKI PODACI:

220-240V ~ 50Hz • 850W

**Ekološko odlaganje otpada**

Možete pomoći zaštiti okoline!
Molimo ne zaboravite da poštuju lokalnu regulativu. Odnosite pokvarenu električnu opremu u odgovarajući centar za odlaganje otpada.

ІНСТРУКЦІЇ З ЕКСПЛУАТАЦІЇ

Перед початком використання приладу уважно прочитайте ці інструкції та збережіть їх для подальшого звертання.

ВАЖЛИВІ ЗАХОДИ З БЕЗПЕКИ:

Перш ніж користуватись даним електричним приладом, прочитайте та дотримуйтесь таких основних застережень:

1. Прочитайте всі інструкції.
2. Перед початком використання перевірте, щоб напруга розетки відповідала напрузі, вказаній у технічних даних цього приладу.
3. Не використовуйте будь-які прилади з пошкодженим кабелем або виделкою, або після несправності приладу чи будь-яких його пошкоджень. Поверніть такий прилад до виробника або найближчого уповноваженого центру технічного обслуговування для огляду, ремонту або електричного чи механічного налагодження.
4. Не торкайтесь гарячих поверхонь. Користуйтеся ручками.
5. Для запобігання враженню електричним струмом не занурюйте кабель, виделки або корпус у воду або іншу рідину.
6. Відключайте прилад від розетки, поки він не використовується, перш ніж встановлювати або знімати деталі, та перед чищенням.
7. Не дозволяйте кабелю живлення висіти через край столу або торкатись гарячих поверхонь.
8. Використання додаткових пристроїв, не рекомендованих виробником даного приладу, може призвести до травм.
9. Даний прилад не призначений для використання особами (включно з дітьми) з обмеженими фізичними, сенсорними або розумовими здібностями, або з недостатнім досвідом та знаннями, якщо тільки за ними не спостерігає або надає інструкції стосовно використання приладу людина, яка відповідає за їх безпеку.
10. За дітьми треба наглядати, щоб вони не гралась з приладом.
11. Не ставте прилад на/поблизу гарячих газових або електричних пальників, або в розігріту піч.
12. Не торкайтесь частин приладу, що рухаються або обертаються під час готування.
13. Ніколи не вмикайте прилад, поки ви відповідним чином не встановили хлібопекарну форму з необхідними інгредієнтами.
14. Ніколи не бийте хлібопекарну форму зверху або збоку, щоб виняти її, тому що це може пошкодити форму.
15. Не слід класти в хлібопекарну форму металеву фольгу або інші матеріали, тому що це може підвищити ризик запалення або короткого замикання.

16. Ніколи не накривайте хлібопічку рушником або чимось іншим, тому що в такому разі тепло та пара не зможуть вільно виходити. Якщо прилад накритий, або контактує з займистим матеріалом, може виникнути пожежа.
17. Не використовуйте прилад для інших цілей, окрім тих, для яких він призначений.
18. Не використовуйте прилад на вулиці.
19. Пристрої не призначені для управління за допомогою зовнішнього таймера або окремої системи дистанційного керування.
20. Зберігайте ці інструкції.

Максимум кількість: 800г борошна і 6г дріжджі ТІЛЬКИ ДЛЯ ВИКОРИСТАННЯ У ПРИМІЩЕННІ

ЗАГАЛЬНИЙ ВИГЛЯД (див. мал. 1)

1. Кришка прибору
2. Віконце для споглядання
3. 2 лопатки для замішування
4. Форма для випікання
5. Панель керування
6. Корпус
7. Гачок для знімання лопаток
8. Мірна чаша
9. Мірна ложка

ВИКОРИСТАННЯ ЗА ПРИЗНАЧЕННЯМ ХАРАКТЕРИСТИКИ

Використовуйте автоматичну хлібопічку для випікання виробів за своїм бажанням.

- Можливість вибрати з поміж 12 програм випікання.
- Можливість використання готових сумішей для випікання.
- Можливість приготування тіста для локшини, листового тіста та джему.
- Використовуючи програму «безглютенового» випікання, ви можете готувати безглютенові вироби, використовуючи борошно з низьким вмістом клейковини, наприклад, кукурудзяне, гречане або картопляне борошно.

ПАНЕЛЬ КЕРУВАННЯ (див. мал. 2)**А. ДИСПЛЕЙ**

1. Відображення ваги (750г, 1000г, 1250г)
2. Відображення часу в хвилинах, що залишився до кінця випікання та запрограмованого часу
3. Обрана ступінь підсмажування (Lower (Легке підсмажування) → Medium (Середнє підсмажування) → Dark (Темна скоринка) → Rapid (Швидке випікання))
4. Номер обраної програми
5. Стадія виконання програми

В. КНОПКА MENU (МЕНЮ)

Введіть бажану програму випікання. На дисплеї з'явиться номер програми та відповідний час випікання.

Важливо:

При натисканні на сенсорні кнопки має звучати звуковий сигнал, якщо прилад ще не знаходиться в робочому режимі.

С. КНОПКА LOAF SIZE (РОЗМІР БУХАНКИ)

Оберіть загальну вагу (750г, 1000г або 1250г). Натискайте кнопку до тих пір, поки на дисплеї під необхідним значенням не з'явиться символ.

Примітка:

Стандартна вага при вмиканні приладу становить 1250г. В програмах 6, 7, 11 та 12 розмір буханки не встановлюється.

D. КНОПКИ ВСТАНОВЛЕННЯ ЧАСУ ЗАТРИМКИ
Випікання з затримкою часу.**E. КНОПКА COLOR (КОЛІР СКОРИНКИ)**

Оберіть ступінь підсмажування скоринки (Lower (Легке підсмажування) → Medium (Середнє підсмажування) → Dark (Темна скоринка) → Rapid (Швидке випікання)). Натискайте кнопку регулювання кольору скоринки до тих пір, поки на дисплеї над необхідним значенням не з'явиться символ. В залежності від обраного ступеню підсмажування час випікання змінюється. В програмах випікання 1-4 можна обрати швидкий режим, натискаючи цю кнопку, до тих пір, поки під режимом «rapid» (швидке випікання) не з'явиться символ трикутника. В програмах 6, 7, 11 ступінь підсмажування скоринки не встановлюється.

F. КНОПКА START/STOP (ПУСК/СТОП)

Щоб почати та зупинити роботу, або щоб видалити установки таймера. Щоб перервати роботу, швидко натисніть кнопку Start/Stop – почується звуковий сигнал, та на дисплеї почне блимати значення часу. Щоб продовжити роботу, ще раз натисніть кнопку Start/Stop. Якщо кнопка Start/Stop не буде натиснута, прилад автоматично продовжить роботу через 10 хвилин. Щоб закінчити роботу та видалити установки, натисніть кнопку Start/Stop та потримайте її 3 секунди, доки не почується довгий звуковий сигнал.

Примітка:

Не натискайте кнопку Start/Stop, якщо ви бажаєте просто перевірити стан виробу.

ФУНКЦІЯ ЗАПАМ'ЯТУВАННЯ

Якщо в разі випадкового припинення постачання енергії прилад вимкнувся приблизно на 10 хв., то після відновлення електроенергії програма розпочнеться з моменту, на якому вона була перервана. Проте це не відбувається, якщо ви касували/зупинили процес випікання, натиснувши та утримуючи кнопку Start/Stop протягом 3 секунд.

ВІКОНЦЕ ДЛЯ СПОГЛЯДАННЯ

Через це віконце ви можете контролювати процес випікання.

ПРОГРАМИ ВИПІКАННЯ

Щоб обрати бажану програму, натискайте кнопку Menu. На дисплеї з'явиться номер відповідної програми. Час випікання залежить від комбінації обраних програм. Див. розділ «Запрограмоване випікання»

ПРОГРАМА ВИПІКАННЯ 1: BASIC (ОСНОВНА):

Для випікання білого та змішаного хліба з пшеничного чи житнього борошна. Хліб має щільну структуру. За допомогою кнопки «Color» можна встановити бажану ступінь підсмажування скоринки.

ПРОГРАМА ВИПІКАННЯ 2: FRENCH (ФРАНЦУЗЬКИЙ ХЛІБ):

Для легкого хлібу, що готується з борошна дрібного молоття. Зазвичай такий хліб є пухким та з хрусткою скоринкою. Ця програма не підходить для приготування за рецептами, що містять вершкове масло, маргарин та молоко.

ПРОГРАМА ВИПІКАННЯ 3: WHOLE WHEAT (ЦІЛЬНОЗЕРНОВИЙ ХЛІБ):

Для приготування хлібу з різних типів борошна, який довше замішується та підходить (наприклад, цільнозерновий та житній хліб). Хліб виходить більш компактним та важчим.

ПРОГРАМА ВИПІКАННЯ 4: SWEET (ЗДОБА):

Для приготування виробів з додаванням фруктового соку, тертого кокосу, ізюму, сухофруктів, шоколаду та цукру. Хліб довго підходить, тому вироби будуть легкими та пухкими.

ПРОГРАМА ВИПІКАННЯ 5: SUPER RAPID (УЛЬТРА ШВИДКЕ ВИПІКАННЯ)

Замішування, підняття та випікання за дуже короткий час. Зазвичай хліб, приготований цим способом, буде грубішим.

ПРОГРАМА ВИПІКАННЯ 6: DOUGH (ТІСТО):

Для приготування дріжджового тіста для булочок, піци чи плетених виробів. В цій програмі випікання не передбачається.

ПРОГРАМА ВИПІКАННЯ 7: PASTE DOUGH (ГУСТЕ ТІСТО)

Для приготування тіста для локшини. В цій програмі випікання не передбачається.

ПРОГРАМА ВИПІКАННЯ 8: BUTTERMILK BREAD (ПАХТА)

Для приготування виробів з додаванням пахти чи йогурту.

ПРОГРАМА 9: GLUTEN FREE (БЕЗГЛУТЕНОВИЙ ХЛІБ)

Для приготування виробів та сумішей на основі безглютенового борошна. Безглютенове борошно довше розчиняється в рідких продуктах та має різні властивості.

ПРОГРАМА ВИПІКАННЯ 10: САКЕ (КЕКС):

Замішування, підняття та випікання, підняття з використанням соди для випікання або розпушувача.

ПРОГРАМА 11: JAM (ДЖЕМ):

Для приготування джемів.

ПРОГРАМА 12: ВАКЕ (ВИПІКАННЯ)

Для додаткового випікання занадто світлого хліба, та хліба, що недостатньо пропікся. В цій програмі не передбачається замішування та підхід тіста. Хліб буде підтримуватися теплим протягом години після закінчення випікання. Це застереже хліб від намокання.

- Щоб вимкнути цю функцію раніше, натисніть кнопку Start/Stop та потримайте її 3 секунди, доки не почується довгий звуковий сигнал. Щоб вимкнути прилад, від'єднайте його від електромережі.

В програмах 1, 2, 3, 4, 5, 6, 8 та 9 при переході до наступної стадії приготування будуть подаватися звукові сигнали. Слідкуйте, якщо потрібно додавати такі інгредієнти, як фрукти чи горіхи. На дисплеї має з'явитися повідомлення «ADD» (Додати). Інгредієнти не подрібнюються лопатками для замішування. Якщо ви обрали випікання з затримкою часу, то всі інгредієнти кладуться в форму для випікання на початку. В такому випадку необхідно подрібнити фрукти та горіхи.

ВСТАНОВЛЕННЯ ТАЙМЕРА

Функція таймеру дозволяє відстроювати початок випікання. За допомогою кнопок < та > встановіть необхідний час закінчення випікання. Оберіть потрібну програму. На дисплеї відобразиться час, необхідний для випікання за цією програмою. За допомогою кнопки < та > змініть час закінчення випікання; кожне натискання збільшує час на 10 хвилин. Не відпускайте кнопку, щоб вибір часу відбувався швидше. На дисплеї відобразиться загальний час приготування та випікання, та час затримання початку роботи. Якщо ви перескочили потрібний час, помилку можна виправити за допомогою кнопки < та >. Натисніть кнопку Start/Stop, щоб підтвердити установки таймера. На екрані почне блимати символ двокрапки та почнеться відлік запрограмованого часу. Коли процес випікання дійде кінця, пролунає 10 звукових сигналів та на дисплеї відобразиться «0:00».

Наприклад:

Зараз 8 година ранку і ви бажаєте отримати свіжий хліб через 7 годин 15 хвилин, тобто о 15:15. Спочатку оберіть програму 1, та натискайте кнопки налаштування таймеру, доки на дисплеї не з'явиться значення 7:15, так як хліб має бути випеченим через 7 годин 15 хвилин. Увага! Функція відстроєння приготування недоступна в програмі приготування джему.

Примітка

Не використовуйте функцію таймеру, якщо в рецепт входять продукти, що швидко псуються, наприклад, яйця, молоко, вершки чи сир.

ПЕРЕД ВИПІКАННЯМ

Для успішного випікання, будь ласка, прийміть до уваги наступні фактори:

ІНГРЕДІЄНТИ

- Перш ніж додавати інгредієнти, витягніть форму для випікання з пічки. Якщо в пекарню камеру потраплять продукти, вони можуть почати горіти на нагрівальних елементах.
- Завжди додавайте інгредієнти в форму для випікання у зазначеному порядку.
- Всі інгредієнти мають бути кімнатної температури, щоб дріжджі нормально підходили.
- Точно відмірюйте інгредієнти. Навіть незначні відхилення від вказаної в рецепті кількості можуть значним чином вплинути на результат випікання.

Примітка

Ніколи не використовуйте більшу кількість продукту, ніж зазначено в рецепті. Завелика кількість тіста може вилитися з форми та потрапити на гарячі нагрівальні елементи та спричинити загорання. максимум 800г борошна і 6г дріжджі!

ВИПІКАННЯ ХЛІБА ПІДГОТОВКА

Дотримуйтесь інструкцій з техніки безпеки, наведених в даному керівництві. Встановлюйте хлібопічку на рівній та стійкій поверхні.

- Витягніть форму для випікання з пекарної камери.
- Встановіть лопатки для замішування на ведучі осі, що знаходяться в формі для випікання. Надійно зафіксуйте їх.
- Додавайте інгредієнти в форму для випікання у зазначеному в рецепті порядку. Спочатку додайте рідкі інгредієнти, цукор та сіль, потім борошно, дріжджі додавайте в самому кінці.

Примітка: Будьте уважні, щоб дріжджі не вступили в контакт з рідкими інгредієнтами або сіллю. Дотримуйтесь максимальної кількості борошна та дріжджів, що вказана в рецепті.

- Встановіть форму для випікання в пекарню камеру. Перевірте, чи правильно встановлена кришка.
- Закрийте кришку.
- Підключіть штепсельну вилку в розетку. Лунає звуковий сигнал, на дисплеї відображається номер програми та тривалість звичайної програми №1.
- Оберіть необхідну програму за допомогою кнопки «Menu». Кожне введення супроводжується звуковим сигналом.

- Виберіть ступінь підсмажування скоринки. Символ на дисплеї показує обрану ступінь: світла, середня чи темна скоринка. Також можете обрати режим прискореного приготування «Rapid», щоб зменшити час приготування.

Примітка:

В програмах 6, 7, 11 функції «ступінь підсмажування скоринки» та «прискореного випікання» недоступні.

- Тепер ви можете встановити час закінчення програми випікання за допомогою функції таймеру. Максимальний строк відстроєння складає 15 годин.

Примітка:

Функція відстроєного приготування недоступна в програмі 11.

ПОЧАТОК ПРОГРАМИ

Почніть виконання програми, натиснувши кнопку Start/Stop.

Програма автоматично почне виконувати різноманітні операції. Ви можете спостерігати за стадією виконання програми через віконце на корпусі приладу. Іноді під час випікання на віконці може збиратися конденсат. В процесі замішування тіста кришка приладу може бути відкрита.

Примітка:

Не відкривайте кришку приладу під час випікання. Хліб може осісти.

Добра порада: Після 5 хвилин замішування перевірте однорідність тіста. Вся маса тіста має бути м'якою та в'язкою. Якщо тісто занадто сухе, додайте трохи рідини. Якщо тісто занадто рідке, додайте трохи борошна (1/2 чайні ложки один раз чи двічі при необхідності).

ЗАВЕРШЕННЯ ПРОГРАМИ

Після завершення процесу випікання лунає 10 звукових сигналів, на дисплеї відображається «0:00». Виконавши програму, прилад автоматично переходить на 60 хвилин в режим підтримання температури. В цьому режимі всередині приладу циркулює тепле повітря. Щоб вимкнути функцію підігріву раніше, натисніть кнопку Start/Stop та не відпускайте її, доки не пролунає два звукових сигнали.

ОБЕРЕЖНО

Перш ніж відкривати кришку приладу, витягніть штепсельну вилку з розетки. Якщо прилад не використовується, завжди вимикайте його з розетки!

ЩОБ ДІСТАТИ ХЛІБ

Знімаючи форму для випікання з хлібом, користуйтеся кухонними рукавичками. Перехиліть форму над решіткою та злегка струсність її, щоб хлібина вислизнула з форми для випікання. Якщо хліб не знімається з лопаток для замішування, обережно зніміть лопатки, користуючись гачком для знімання лопаток.

Примітка:

Не користуйтеся металевими предметами, що можуть подряпати антипригарну поверхню. Знявши хліб, відразу ж помийте форму для випікання в теплій воді. Таким чином лопатки не прилипнуть до приводного валу.

Добра порада: Щоб хліб був цілим після випікання, знімайте лопатки для замішування відразу ж після приготування тіста.

- Швидко натисніть кнопку Start/Stop, щоб перервати процес приготування та випікання або витягніть штепсельну вилку приладу з розетки.
- Відкрийте кришку та витягніть форму для випікання. Руками, посипаними борошном, витягніть тісто та зніміть лопатки для замішування.
- Поверніть тісто в форму та закрийте кришку.
- Вставте вилку в розетку та натисніть кнопку Start/Stop. Робоча програма продовжиться. Перш ніж подавати хліб, дайте йому охолонути протягом 15-30 хвилин. Перш ніж різати хліб, перевірте, чи випадково не залишилась в буханці лопатка для змішування.

Обережно

Не намагайтесь запускати хлібопічку, якщо вона ще не охолола чи не нагрілась. Якщо після запуску програми на дисплеї відображається «ННН», це означає, що температура в пекарній камері занадто висока. негайно припиніть виконання програми та вимкніть прилад з розетки. Потім відкрийте кришку та дайте приладу повністю охолонути, перш ніж знову використовувати (за виключенням програм BAKE та JAM). Якщо після запуску програми на дисплеї відображається «LLL», це означає, що температура в пекарній камері занадто низька. Необхідно використовувати хлібопічку в теплішому приміщенні (за виключенням програм BAKE та JAM). Якщо після натискання кнопки Start/Stop на дисплеї відображається «ЕЕ0», це означає, що термостат розімкнув електричну схему, перевірка термостата має виконуватися сертифікованим спеціалістом. Якщо на дисплеї відображається «ЕЕ1», це означає, що термостат замкнув електричну схему.

ЧИЩЕННЯ ТА ДОГЛЯД

Перед чищенням відключіть прилад від живлення та зачекайте, поки він охолоне.

ВАЖЛИВО:

Частини та аксесуари приладу неможна мити в посудомийній машині!

1. хлібопекарна форма: Протріть зсередини та назовні вологою ганчіркою. Не користуйтесь гострими або абразивними допоміжними засобами, щоб захистити протипригарну поверхню. Перш ніж повертати до приладу, форма має бути повністю сухою.
2. місильна лопатка: Якщо місильний стрижень важко зняти з осі, наповніть контейнер теплою водою та дозвольте їм полежати у ній приблизно 30 хвилин. Тепер місильну лопатку можна легко зняти та почистити. Обережно витріть лопатку вологою бавовняною ганчіркою. Майте на увазі, що як хлібопекарну форму, так і місильну лопатку можна мити у посудомийці.
3. Кришка та віконце: почистіть кришку зсередини та назовні злегка вологою ганчіркою.
4. Корпус: обережно протріть зовнішню поверхню корпуса мокрою ганчіркою. Не чистіть за допомогою абразивних допоміжних засобів, тому що це може погіршити полірування поверхні. Ніколи не занурюйте корпус у воду для чищення.
5. Перш ніж скласти хлібопчку для зберігання, перевірте, щоб вона повністю охолонила, була чистою та сухою, а кришка була закритою.

ТЕХНІЧНІ ДАНІ

220-240В ~ 50Гц • 850Вт

ТЕРМІН ПРИДАТНОСТІ: НЕ ОБМЕЖЕНИЙ.**Безпечна утилізація**

Ви можете допомогти захистити довкілля!
 Дотримуйтесь місцевих правил утилізації: віднесіть непрацююче електричне обладнання у відповідний центр із його утилізації.

ІНСТРУКЦИИ ЗА УПОТРЕБА

Прочетете тази книжка подробно преди употреба и я запазете за бъдещи справки

ВАЖНИ МЕРКИ ЗА БЕЗОПАСНОСТ:

Преда да използвате електроуред, трябва винаги да спазвате следните основни предпазни мерки:

1. Прочетете всички инструкции
2. Преда употреба проверете дали волтажа в контакта отговаря на този, показан на табелката.
3. Не употребявайте никакви уреди с повреден кабел или щепсел, или след като са се повредили или са били изтървани. Върнете уреда на производителя или най-близкия упълномощен сервизен агент за проверка, поправка, електрическа или механична настройка.
4. Не пипайте горещите повърхности. Използвайте дръжките или копчетата.
5. За да се предпазите от токов удар не потапяйте кабела, щепсела или покритието във вода или други течности.
6. Изключете от контакта, когато не използвате, преда да слагате или сваляте части, и преда да почистите.
7. Не оставяйте кабела да виси от ръба на масата или над гореща повърхност.
8. Употребата на аксесоари, не препоръчани от производителя на уреда, може да причини наранявания.
9. Този уред не е предназначен за употреба от лица (включително деца) с намалени физически, сетивни или умствени способности, или с липсващи знания и опит, освен ако не се наблюдават или не се инструктират относно употребата на уреда от лице, отговарящо за безопасността им.
10. Децата трябва да се наблюдават, за да се уверите, че не си играят с уреда.
11. Не поставяйте върху или близо до гореща газова или електрическа печка, или в загрята фурна.
12. Не докосвайте никакви движещи или въртящи се части от машината, докато печете.
13. Никога не включвайте уреда без правилно да сте поставили съставките за хляба.
14. Никога не удряйте тигана за хляб отгоре или по ръба, за да го свалите, това може да го повреди.
15. Метални фолия или други материали не трябва да се пхат в тостера, тъй като това може да повиши риска от пожар или късо съединение.
16. Никога не покривайте тостера с кърпа или друг материал, топлината и парата трябва да могат да излизат свободно. Може да причините пожар ако го покриете, или влезе в контакт със запалим материал.
17. Не използвайте уреда за друго, освен предназначението му.
18. Не използвайте навън.

19. Уредите не са предназначени да работят с външен таймер или отделна система за дистанционно управление.
20. Запазете тези инструкции.

Макс. Количество: 800g брашно и 6г мая!
САМО ЗА ДОМАШНА УПОТРЕБА

ПРЕГЛЕД НА УРЕДА (Виж фиг.1)

1. Капак на уреда
2. Прозорец за наблюдение
3. 2 лопатки за замесване
4. Форма за печене
5. Панел за управление
6. Корпус
7. Инструмент за отстраняване на месителните лопатки
8. Мерителна купа
9. Мерителна лъжица

ПРАВИЛНО ИЗПОЛЗВАНЕ СВОЙСТВА

Можете да използвате уреда за автоматично приготвяне на хляб, за да изпечете хляб по ваш вкус.

- Можете да избирате между 12 различни програми за печене.
- Имате готови за използване смеси за печене.
- Можете да замесвате тесто за юфка, тесто за кифлички и да добавяте конфитюр
- С програмата за изпичане без глутен можете успешно да правите тесто по рецепти без глутен с брашна без глутен, като царевично брашно, брашно от елда и брашно от картофи.

ПАНЕЛ ЗА УПРАВЛЕНИЕ (Виж фиг. 2)**A. ДИСПЛЕЙ**

1. Отчита избора за тегло (750g, 1000g, 1250g)
2. Оставащото време за печене в минути и програмираното време
3. Избрана степен на изпичане (По-малко → Средна → Тъмен → Бързо)
4. Избрания номер на програма.
5. Последователността на програмата

B. МЕНЮ

Заредете желаната програма за изпичане. На дисплея се показват номерът на програмата и съответното време за изпичане.

Важно:

При натискане на всички бутони се чува звуков сигнал, освен ако уредът не работи.

C. РАЗМЕР НА ХЛЯБА

Изберете общото тегло (750g, 1000g и 1250g). Натискайте бутон достатъчно дълго, докато се покаже отметка под желаното тегло.

Забележка:

Подразбиращата се настройка при активиране на уреда е 1250g. При програми 6, 7, 11 и 12 размерът на хляба не може да бъде задаван.

D. ТАЙМЕР ЗА ЗАКЪСНЕНИЕ

Изместено във времето печене.

E. ЦВЯТ

Изберете степента на изпичане (По-малко → Средна → Тъмен → Бързо). Натискайте бутона за цвят достатъчно дълго, докато се покаже отметка под желаната степен на изпичане. Времето на изпичане зависи от избраното ниво на изпичане. За програми за изпичане 1-4, можете да активирате бърз режим като натискате бутона, докато триъгълникът покаже програмата за бързо изпичане. При програми 6, 7 и 11 не можете да избирате настройката за степен на изпичане.

F. СТАРТ/СТОП

За да стартирате или спрете работата или за да изтриете указан таймер. За да прекъснете работата, натиснете за кратко бутона Старт/стоп, докато чуете звуков сигнал и времето на дисплея не започне да примигва. Повторното натискане на бутона Старт/стоп води до възобновяване на работата. Ако не натиснете ръчно бутона Старт/стоп, машината ще възобнови програмата автоматично след 10 минути. За да завършите операциите и да изтриете настройките, натиснете бутона Старт/стоп за 3 секунди, докато чуете продължителен звуков сигнал.

Забележка:

Не натискайте бутона Старт/стоп, ако само желаете да проверите състоянието на хляба.

ФУНКЦИЯ ЗА ЗАПАМЕТВАНЕ

При повторно включване след спиране на захранването за около 10 минути, програмата продължава от същата точка. Това не важи, обаче, при прекъсване на процеса на изпичане чрез натискане на бутона Старт/стоп за 3 секунди.

ПРОЗОРЕЦ

Можете да проверите процеса на изпичане през прозореца.

ПРОГРАМИ ЗА ПЕЧЕНЕ

Можете да изберете желана програма чрез натискане на бутон от менюто. На дисплея се показват номерът на програмата. Времето на изпичане зависи от избраните програмни комбинации. Вижте раздела „Програмна последователност“.

ПРОГРАМИ ЗА ПЕЧЕНЕ 1: ОСНОВНО ПЕЧЕНЕ

За бели и смесени типове хляб, състоящи се предимно от пшенично или ръжено брашно. Хлябът има компактна консистенция. Можете да настроите степента на изпичане на хляба чрез бутона за цвят.

ПРОГРАМИ ЗА ПЕЧЕНЕ 2: ФРЕНСКИ

За леки хлябове от фино брашно. Обикновено хлябът е пухкав и има хрупкава коричка. Това е подходящо при изпичане на рецепти, изискващи масло, маргарин или мляко.

ПРОГРАМИ ЗА ПЕЧЕНЕ 3: ПЪЛНОЗЪРНЕСТ

За хляб с голямо разнообразие от брашна, изискващ продължително месене и втасване (например пълнозърнесто брашно и ръжено брашно). Хлябът е по-компактен и по-тежък.

ПРОГРАМИ ЗА ПЕЧЕНЕ 4: СЛАДЪК

За хляб с добавки, като плодови сокове, гранулирани кокосови трици, сухи плодове, шоколад или добавена захар. Поради по-дългата фаза на втасване, хлябът е лек и въздушен.

ПРОГРАМИ ЗА ПЕЧЕНЕ 5: СУПЕР БЪРЗО

Месене, втасване и изпичане по най-бързия начин. Изпеченият хляб има най-груб вид, в сравнение с останалите менюта.

ПРОГРАМИ ЗА ПЕЧЕНЕ 6: ТЕСТО

За приготвяне на тесто с мая за кифли, пици и козунаци. При тази програма няма изпичане.

ПРОГРАМИ ЗА ПЕЧЕНЕ 7: ТЕСТО ЗА СПАГЕТИ

За приготвяне на тесто за макарони. При тази програма няма изпичане.

ПРОГРАМИ ЗА ПЕЧЕНЕ 8: МЛЯКО И МАСЛО

Хлябът се приготвя с маслено мляко или кисело мляко

ПРОГРАМИ ЗА ПЕЧЕНЕ 9: БЕЗ ГЛУТЕН:

За хляб от брашна и смеси за печене без глютен. Безглютеновите брашна изискват по-дълго време за поемане на течностите и имат различни свойства при втасване.

ПРОГРАМИ ЗА ПЕЧЕНЕ 10: КЕКС

Месене, втасване и изпичане, но при използване на сода.

ПРОГРАМИ ЗА ПЕЧЕНЕ 11: КОНФИТЮР

За правене на конфитюр

ПРОГРАМИ ЗА ПЕЧЕНЕ 12: ИЗПИЧАНЕ

За допълнително изпичане на хляб, който е твърде лек или недостатъчно изпечен. При тази програма няма месене и втасване. Хлябът се поддържа топъл за около час след края на процедурата по печене. Това води до предотвратяване на твърде голямото му овлажняване.

- За постоянно прекъсване на тази функция натиснете бутона Старт/стоп за три секунди, докато чуете дълги звукови сигнали. За да изключите уреда, изключете от захранването.

В програми 1,2,3,4,5, 6, 8 и 9 по време на програмата се чува поредица от къси звукови сигнали. Скоро след това добавете всички съставки, като плодове или ядки. Ще се покаже думата „ADD“ (Добавяне). Съставките не се нарязват от месителните лопатки. Ако сте задали таймер за закъснение, можете да поставите всички съставки във формата за печене

още в началото. В този случай, обаче подовите и ядките трябва да бъдат нарязани на дребно.

НАСТРОЙКА НА ТАЙМЕРА

Функцията за таймер позволява по-късно изпичане. Използвайте клавишите < и >, за дайте желаното крайно време за изпичане. Изберете програмата. Дисплеят показва необходимото време за изпичане. С помощта на клавиша стрелка < и > можете да промените крайното време на изпичане на стъпки от 10 минути. Натискайте клавиша стрелка, за да изпълните функцията по-бързо. На дисплея се показват общото време на изпичането и времето за закъснение. Ако прехвърлите времето за закъснение, можете да го промените с използване на клавиша < и >. Потвърдете настройката на таймера с помощта на бутона Старт/стоп. Колоната на дисплея примигва и програмата започва да се изпълнява. Когато процесът на изпичане завърши, се издават десет звукови сигнала и дисплеят показва 0:00.

Пример:

8 часа сутринта е и желаете пресен хляб след 7 часа и 15 минути, т.е в 3:15 следобед. Изберете програмата 1, след това натискайте бутона на таймера, докато на дисплея се покаже 7:15 - времето, след което искате да поучите готовия хляб. Обърнете внимание, че функцията на таймера не е налична при програми за конфитюр.

Забележка

Не използвайте функцията на таймера, когато работите с бързо смесване на съставки, като яйца, мляко, сметана или масло.

ПРЕДИ ПЕЧЕНЕТО

За успешно изпичане, имайте предвид след

СЪСТАВКИ

- Извадете формата за изпичане от корпуса, преди да поставите в нея съставките. Ако съставките достигнат областта за печене, може да предизвикат пожар при нагриване на изпичащите елементи.
- Винаги поставяйте съставките в указания ред във формата за изпичане.
- Всички съставки трябва да имат стайна температура, за поддържане на оптимални резултати при втасването на маята.
- Измерете точно съставките. Дори малките отклонения от указанията в рецептата количества могат да засегнат резултатите от печенето.

Забележка

Никога не използвайте по-големи количества от указанията. Твърде многото тесто може да повдигне формата за печене и да попадне в нагревателните елементи, причинявайки пожар. Макс. 800g брашно и бг мая!

ПЕЧЕНЕ НА ХЛЯБ ПОДГОТОВКА

Спазвайте инструкциите за безопасност в ръководството. Поставете машината за хляб на равна, твърда основа.

1. Издърпайте изцяло тавата вън от уреда.
2. Притиснете лопатките за месене към задвижващите валове във формата за печене. Уверете се, че са поставени добре на място.
3. Поставете съставките в указания ред във формата за изпичане. Първо добавете течните съставки, захарта и солта, а след това маята и останалите съставки.

Забележка: Уверете се, че маята не влиза в контакт със солта или течностите.

За да видите максимално допустимите количества на брашното и маята, вижте рецептата.

4. Издърпайте изцяло тавата вън от уреда. Уверете се, че е поставена правилно.
5. Затворете капака на уреда.
6. Поставете щепсела в контакта. Чува се звуков сигнал и дисплеят показва програмния номер и продължителността на програмата 1.
7. Изберете програма с бутон на менюто. Всяко въвеждане се потвърждава от акустичен сигнал.
8. Показва цвета на хляба. Маркировката на дисплея показва дали сте избрали леко, средно или силно изпечен хляб. Можете да изберете настройка „Бързо“, за да намалите времето за изпичане.

Забележка:

За програми 6, 7,11 функциите „степен на покафеняване“ и „Бързо“ не са налични.

9. Имате възможност да указвате време за прекъсване на програмата чрез функцията „Таймер“. Можете да въведете закъснение до максимум 15 часа.

Забележка:

Функцията за закъснение не е налична при програмата 11.

ИЗБЕРЕТЕ ПРОГРАМА.

Стартирайте програмата с помощта на бутона Старт/стоп.

Програмата изпълнява автоматично различни операции. Можете да наблюдавате програмната последователност от прозорец на машината за изпичане на хляб. Понякога е възможно възникване на кондензат върху прозореца за наблюдение. Капакът на уреда може да се отвори по време на месене.

Забележка:

Не отваряйте капака на уреда по време на печене. Хлябът може да спадне.

Свет: След 5 минути месене, проверете консистенцията на тестото. То може да бъде меко, лепкаво или с мехурчета. Ако е твърде сухо,

добавете течност. Ако е твърде влажно, добавете брашно (1/2 до 1 супена лъжица, ако е необходимо).

ЗАВЪРШВАНЕ НА ПРОГРАМА.

След завършване на процеса на печене се чуват 10 звукови сигнала и дисплеят показва 0:00. В края на програмата уредът автоматично преминава в режим на подгръване за около 60 минути. В този режим в уреда циркулира топъл въздух. За постоянно прекъсване на функцията за подгръване натиснете бутона Старт/стоп за три секунди, докато чуете два звукови сигнала.

ПРЕДУПРЕЖДЕНИЕ

Преди да отворите капака на уреда, издърпайте щепсела от контакта. Изключвайте уреда от контакта, когато не го използвате!

ИЗВАЖДАНЕ НА ХЛЯБА

При изваждане на формата за печене, винаги използвайте подложки или ръкавици за фурна. Хванете формата за печене под наклон над решетката и разклащайте леко, докато хлябът се плъзне извън нея. Ако хлябът не се плъзне вън от лопатките за месене, внимателно свалете лопатките с помощта на приложеното устройство.

Забележка:

Не използвайте метални обекти, които могат да надраскат незалепващото покритие. След отстраняване на хляба, незабавно измиете формата за печене с топла вода. Това предотвратява залепването на лопатките към задвижващия вал.

Съвет: Ако свалите лопатките след последното месене, хлябът ще остане цял, когато го извадите от формата за печене.

- Натиснете за кратко бутона Старт/стоп, за да прекъснете процеса на печене или извадете щепсела от контакта.
- Отворете капака на уреда, за да извадите формата за печене. Можете да извадите тестото с набрашнени ръце и да отстраните тестомесилката.
- Върнете обратно тестото и затворете капака на уреда.
- Поставете щепсела в контакта и включете уреда чрез натискане на бутона. Започва да се изпълнява програмата за месене. Оставете хляба да се охлади за 15-30 минути преди консумация. Преди да нарежете хляба, се уверете, че тестомесилката е все още във формата за печене.

Предупреждение

Не правете опити да стартирате машината за хляб, преди да се охлади или загрее. Ако дисплеят показва "ННН" след стартиране на програмата, означава, че температурата в нея е твърде висока. Трябва да спрете програмата и да изключите незабавно от контакта. Отворете капака и

оставете машината да се охлади напълно, преди да я използвате отново (освен в програмите ПЕЧЕНЕ и КОНФИТЮР) Ако дисплеят показва "LLL" след стартиране на програмата, означава, че температурата в нея е твърде ниска. Укажете висока температура на средата (освен в програмите ПЕЧЕНЕ и КОНФИТЮР) Ако дисплеят покаже „ЕЕ0“, след като натиснете бутона Старт/стоп, означава задействане на температурния сензор за отворена верига. Занесете машината за проверка на сензора от упълномощен експерт. Ако дисплеят показва „ЕЕ1“, означава, че температурният сензор е дал на късо.

ПОЧИСТВАНЕ И ПОДДРЪЖКА

Изключете машината от захранването и я оставете да изстине преди почистване.

ВАЖНО:

Частите и аксесоарите на уреда трябва не трябва да се мият в съдомиялна машина.

1. Тигана за хляб: Изтъркайте отвън и отвътре с влажна кърпа. Не използвайте остри или абразивни вещества, за да защитите не залепеното покритие. Тиганът трябва да се изсуши напълно преди да се постави.
2. Месещо острие: Ако пръта за месене трудно се вади от оста, напълнете контейнера с топла вода и го оставете да погние за около 30мин. След това мелачката може лесно да се извади за почистване. Освен това избършете острието внимателно с влажна памучна кърпа, моля отбележете че и тиганът за хляб и острието за месене са компоненти, които са безопасни за съдомиялна машина.
3. Капак и прозорче: Почистете капака отвън и отвътре с леко влажна кърпа.
4. Корпус: Внимателно изтрийте външната повърхност на корпуса с мокра кърпа. Не използвайте абразивни почистващи препарати, тъй като това ще разгради високата полировка на повърхността. Никога не потапяйте корпуса във вода за почистване.
5. Преди тостерът да се пакетира за съхранение, уверете се, че е напълно охладен, чист и сух, и капакът е затворен.

ТЕХНИЧЕСКИ ДАННИ:

220-240V ~ 50Hz • 850W



Съобразено с околната среда изхвърляне
Можете да помогнете да защитим околната среда! Помнете, че трябва да спазвате местните разпоредби: Предавайте неработещото електрическо оборудване в специално предназначения за целта центрове.

MODE D'EMPLOI

Avant de commencer d'utiliser cette machine, nous vous conseillons de lire soigneusement et entièrement ce manuel et le conserver pour toute référence ultérieure.

PRÉCAUTIONS IMPORTANTES :

Des mesures de sécurité élémentaires, dont les suivantes, s'imposent lors de l'utilisation d'un appareil électrique :

1. Lisez toutes les instructions.
2. Avant l'utilisation, vérifiez que la tension secteur correspond à l'une des tensions indiquées sur la plaque signalétique de l'appareil.
3. N'utilisez aucun appareil qui a été endommagé, dont la fiche ou le cordon électrique est abîmé ou dont le fonctionnement est anormal. Retournez l'appareil au fabricant ou au plus proche centre de réparation agréé pour vérification, réparation, réglage électrique ou mécanique.
4. Ne pas toucher les surfaces chaudes. Utiliser les poignées ou les boutons.
5. Pour éviter tout risque d'électrocution, ne pas immerger le cordon électrique, ni sa fiche ni l'appareil dans l'eau ou tout autre liquide.
6. Débranchez l'appareil lorsque n'est pas utilisé, avant de le nettoyer et avant tout entretien.
7. Ne laissez pas le cordon pendre du bord d'une table ou des surfaces chaudes.
8. L'utilisation d'accessoires non recommandés par le fabricant de l'appareil peut causer des blessures corporelles.
9. Cet appareil n'est pas destiné à être utilisé par des personnes (y compris des enfants) dont les capacités physiques, sensorielles ou mentales sont diminuées, ou qui ne disposent pas des connaissances ou de l'expérience nécessaires, à moins qu'elles n'aient été formées et encadrées pour l'utilisation de cet appareil par une personne responsable de leur sécurité.
10. Les enfants doivent être surveillés afin qu'ils ne puissent pas jouer avec cet appareil.
11. Ne le placez pas près d'un brûleur à gaz ou électrique ni d'un four chaud.
12. Ne toucher aucune pièce mobile ou qui tourne de la machine pendant la cuisson.
13. N'allumer jamais l'appareil sans avoir mis de moule à pain rempli d'ingrédients.
14. Never beat the bread pan on the top or edge to remove the pan; this may damage the bread pan.
15. Ne pas introduire de feuilles métalliques d'emballage dans la machine à pain car elles peuvent provoquer un incendie ou un court-circuit.
16. Ne jamais couvrir la machine à pain par des serviettes ou autres, la chaleur et la vapeur doivent pouvoir s'échapper librement. Evitez tout contact avec des matières combustibles, cela risque de provoquer un incendie.

17. N'utilisez pas cet appareil à des fins autres que celles spécifiquement prévues.
18. Ne l'utilisez pas en plein air.
19. L'appareil n'est pas destiné à être utilisé au moyen d'une minuterie externe ou d'un système de contrôle à distance séparé.
20. Conservez ces consignes.

Max. quantité : 800g de farine et 6g de levure!

USAGE DOMESTIQUE UNIQUEMENT

VUE D'ENSEMBLE DE L'APPAREIL

(Voir fig. 1)

1. Couverture
2. Hublot de contrôle
3. 2 Palettes de pétrissage
4. Moule de cuisson
5. Panneau de commande
6. Boîtier
7. Crochet de retrait des palettes de pétrissage
8. Tasse à mesurer
9. Cuillère de dosage

UTILISATION PROPRIÉTÉS

La machine à pain automatique permet de préparer du pain selon votre goût.

- Vous pouvez choisir parmi 12 programmes de cuisson différents.
- Vous pouvez choisir des mélanges à cuire prêts à l'emploi.
- Vous pouvez préparer de la pâte à nouilles ou du pâton et faire de la confiture.
- Avec le programme "Sans gluten", vous pouvez préparer des mélanges à cuire et des recettes à l'aide de farine sans gluten telle que la farine de maïs, farine de sarrasin et de pomme de terre.

PANNEAU DE COMMANDE (Voir fig. 2)

A. AFFICHAGE

1. Affiche le poids sélectionné (750g, 1000g, 1250g)
2. La durée restante de cuisson en minutes et la durée programmée
3. le degré de brunissage sélectionné (Faible → Moyen → Foncé → Rapide)
4. Le numéro de programme sélectionné
5. Les phases de traitement du programme

B. MENU

Charger le programme de cuisson souhaité. Le numéro de programme et la durée de cuisson correspondante sont affichés à l'écran.

Important :

La pression de chaque touche est accompagnée d'un signal sonore audible, à moins que l'appareil soit occupé à exécuter un programme.

C. TAILLE DE MICHE DE PAIN

Sélectionnez le poids global (750g, 1000g, et 1250g). Appuyez à plusieurs reprises sur la touche jusqu'à ce que une marque apparaisse sous le poids souhaité.

Remarque:

Le poids par défaut à la mise en marche de l'appareil est 1250g. On ne peut pas choisir le poids de miche de pain dans les programmes 6, 7, 11 et 12.

D. MINUTERIE

Cuisson programmée par minuterie.

E. DORURE

Sélectionner le degré de brunissage ((Faible → Moyen → Foncé → Rapide). Appuyez à plusieurs reprises sur la touche Color (Dorure) jusqu'à ce que une marque apparaisse au dessus du degré de brunissage. La durée de cuisson varie en fonction du degré de brunissage sélectionné. Pour les programmes de cuisson 1 à 4 vous pouvez activer le mode rapide en appuyant à plusieurs reprises sur la touche jusqu'à ce qu'un triangle apparaisse indiquant le mode rapide. Pour les programmes de cuisson 6, 7 et 11 on ne peut pas choisir le degré de brunissage.

F. START/STOP (MARCHE/ARRÊT)

Pour mettre en marche ou pour arrêter ou pour effacer la durée minuterie fixée. Pour arrêter l'opération, appuyez sur la touche Start/Stop, il y aura un signal sonore et l'heure clignotera à l'écran. Appuyez à nouveau sur la touche Start/Stop pour reprendre l'opération. Si vous n'appuyez pas à nouveau sur la touche Start/Stop, la machine reprend l'opération automatiquement au bout de 10 minutes. Pour arrêter définitivement l'opération et effacer le réglage, maintenez enfoncée la touche Start/Stop pendant près de 3 secondes jusqu'à ce qu'un long signal sonore soit émis.

Remarque:

N'appuyez sur la touche Start/Stop si c'est uniquement pour connaître l'état de cuisson du pain.

FONCTION MÉMOIRE

En cas de coupure de courant ne dépassant pas 10 minutes, le programme reprend à partir du point d'arrêt, une fois le courant est rétabli. Ceci n'est pas valable si vous annulez/arrêtez manuellement le processus de cuisson en maintenant enfoncée la touche Start/Stop pendant près de 3 secondes.

HUBLOT DE CONTRÔLE

Cette fenêtre permet d'inspecter le processus de cuisson.

PROGRAMMES DE CUISSON

La touche menu permet la sélection du programme souhaité. Le numéro de programme correspondant est affiché à l'écran. La durée de cuisson varie en fonction du programme sélectionné. Voir le chapitre « Séquence du programme ».

PROGRAMME DE CUISSON 1 : STANDARD (BASIC)

Pour préparer du pain blanc et du pain mixte constitué essentiellement de farine de blé complet et de farine de seigle. Le pain obtenu aura une consistance compacte. Vous pouvez régler le degré de brunissage à l'aide du bouton Color (Dorure).

PROGRAMME DE CUISSON 2 : FRANÇAIS

Pour préparer du pain léger à partir de farine fine. Normalement le pain est duveteux et une croûte croustillante. Ce programme ne convient pas pour préparer des recettes se basant sur le beurre, margarine ou lait.

PROGRAMME DE CUISSON 3 : BLÉ COMPLET (WHOLE WHEAT) :

Pour préparer du pain fait avec une grande variété de farines, exige plus de temps pour les phases de pétrissage et de montée de la pâte (par exemple, farine de blé complet et farine de seigle.). Le pain serait plus consistant et lourd.

PROGRAMME DE CUISSON 4 : SUCRÉ (SWEET) :

Pour préparer du pain avec additifs tels que jus de fruits, noix de coco râpée, raisins, fruits secs, chocolat ou adjonction de sucre. Grâce à une plus longue phase de montée de la pâte, le pain sera léger et aéré.

PROGRAMME DE CUISSON 5 : SUPER RAPIDE

Les phases de pétrissage, montée de la pâte et cuisson sont très rapides. Mais le pain cuit et le plus brut parmi tous les pains préparés par les autres menus.

PROGRAMME DE CUISSON 6 : PÂTE (DOUGH) :

Pour préparer une pâte faite avec de la levure pour petits pains, pizza ou pains à la vapeur. Ce programme ne fait pas de cuisson.

PROGRAMME DE CUISSON 7 : PÂTE À NOUILLES (PASTE DOUGH) :

Pour préparer de la pâte à nouilles. Ce programme ne fait pas de cuisson.

PROGRAMME DE CUISSON 8 : LAIT FERMENTÉ (BUTTERMILK BREAD)

Pour préparer du pain avec du babeurre ou du yaourt.

PROGRAMME 9 : SANS GLUTEN (GLUTEN FREE) :

Le pain est préparé à base de farine sans gluten et des mélanges à cuire. Les farines sans gluten demandent plus de temps pour la prise des liquides et ont des propriétés de levée différentes.

PROGRAMME DE CUISSON 10 : GÂTEAU (CAKE) :

Pétrit, fait lever la pâte et prépare à base de bicarbonate de soude ou de levure chimique.

PROGRAMME 11 : CONFITURE (JAM) :

Pour faire des confitures.

PROGRAMME 12 : CUISSON AU FOUR (BAKE) :

Utilisé pour augmenter le temps de cuisson du pain très léger ou pas assez cuit. Ce programme il n'y a pas de pétrissage ni de montée de la pâte. Le pain sera gardé au chaud pendant 1 heure après l'opération de cuisson. Ceci éviterait au pain de devenir trop humide.

- Pour arrêter cette fonction avant sa fin maintenez enfoncée la touche Start/Stop pendant près de 3 secondes jusqu'à ce que un long signal sonore soit émis. Pour éteindre l'appareil, débranchez-le de la prise secteur.

Dans les programmes 1, 2, 3, 4, 5, 6, 8 et 9 un bref signal sonore est émis durant les différentes phases du programme. Ajoutez tout de suite après les autres ingrédients tels que fruits ou noix. L'indication "ADD" sera affichée. Les ingrédients ne sont pas hachés par les palettes de pétrissage.

Si vous avez réglé la minuterie, vous pouvez mettre tous les ingrédients dans le moule de cuisson au début. Dans ce cas, les fruits et les noix devraient être coupés en petits morceaux.

RÉGLER LA MINUTERIE

La minuterie permet une cuisson programmée. Utilisez les touches de navigation < et >, pour fixer l'heure de fin de l'opération de cuisson. Choisissez un programme. Le temps de cuisson nécessaire est affiché à l'écran. Utilisez la touche de navigation < et > pour changer l'heure de fin de l'opération de cuisson par incréments de 10 minutes. Maintenez la touche enfoncée pour aller plus vite. L'écran affichera la durée totale de cuisson et le délai programmé. Si vous surajustez la durée, vous pouvez la corriger à l'aide de la touche de navigation < et >. Confirmez le réglage de la minuterie au moyen de la touche Start/Stop. Les deux points de l'écran se mettent à clignoter et va opérer un décompte. Une fois le programme terminé, 10 bips sonores se feront entendre et l'écran affichera 0:00.

Exemple :

Il est 8h du matin et vous souhaitez manger du pain frais à 15h15, soit dans 7 heures et 15 minutes. Sélectionnez au préalable le programme numéro 1 puis appuyez sur le bouton « timer » jusqu'à ce que l'information 7:15 apparaisse à l'affichage. La fonction minuterie n'est pas possible avec le programme Confiture (Jam).

Remarque

N'utilisez pas la fonction minuterie avec des ingrédients périssables tels que œufs, lait, crème ou fromage.

AVANT LA CUISSON

Pour réussir votre cuisson, prenez en considération les facteurs suivants :

INGRÉDIENTS

- Sortez le moule de cuisson du boîtier avant d'y mettre les ingrédients. Car si les ingrédients atteignent les éléments chauffants de la zone de cuisson, il peuvent brûler et provoquer un incendie.
- Mettez les ingrédients dans le moule de cuisson en suivant l'ordre indiqué dans la recette.
- Tous les ingrédients doivent être à la température ambiante pour obtenir un résultat optimal de levée de la levure.
- Mesurez les ingrédients avec précision. Même un écart insignifiant par rapport à la quantité spécifiée dans la recette peut affecter les résultats de la cuisson.

Remarque

Ne dépassez jamais les quantités prescrites. Une quantité de pâte peut déborder du moule et tomber sur les éléments chauffants et provoquer un incendie. Max. 800g de farine et 6g de levure!

PRÉPARATION DE PAIN**PRÉPARATION**

Respectez toutes les consignes de sécurités de ce manuel. Placez la machine à pain sur une surface plate et solide.

1. Sortez le moule de cuisson de l'appareil.
2. Insérez les palettes de pétrissage dans les tiges d'entraînement du moule de cuisson. Assurez-vous qu'elles sont fermement fixées en place.
3. Mettez les ingrédients dans le moule de cuisson en suivant l'ordre indiqué dans la recette. Les substances liquides doivent être placées d'abord, puis le sucre et le sel, puis la farine, rajoutez toujours en dernier la levure.

Remarque: assurez-vous que la levure n'entre pas en contact avec les ingrédients liquides ou le sel. Se référer à la recette pour les quantités maximales de farine et de levure à utiliser.

4. Remettez le moule de cuisson dans l'appareil. Vérifiez qu'il est correctement installé.
5. Fermez le couvercle.
6. Branchez la fiche dans la prise secteur. Un bip se fera entendre et le numéro et la durée de programme 1 sont affichés à l'écran.
7. Utilisez la touche menu pour la sélection du programme souhaité. Chaque entrée est confirmée par un bip.
8. Sélectionnez le degré de brunissage. L'indication sur l'écran affichera le degré choisi (Léger, Moyen ou Foncé). Vous pouvez également choisir la fonction „Rapid“ pour écourter la durée de cuisson.

Remarque:

Pour les programmes 6, 7 et 11, les fonctions „Degré de brunissage“ et „Rapid“ ne sont pas disponibles.

9. Maintenant vous pouvez régler l'heure de fin de cuisson au moyen de la minuterie. La durée maximale de programmation de la minuterie est de 15 heures.

Remarque :

Cette fonction n'est pas disponible dans le programme 11.

DÉMARRAGE DU PROGRAMME

Appuyez sur la touche Start/Stop pour démarrer le programme.

Le programme exécutera automatiquement les différentes opérations. Vous pouvez contrôler les étapes du programme à travers le hublot de la machine à pain. Il peut arriver, occasionnellement, que de la condensation se forme sur le hublot. Le couvercle peut être ouvert pendant le pétrissage.

Remarque :

N'ouvrez pas le couvercle pendant la cuisson. Le pain peut se briser.

Conseil : Après 5 minutes de pétrissage, vérifiez la consistance de la pâte. Elle doit être molle et gluante. Si elle est trop sèche, ajoutez un peu de liquide. Si elle est trop moelleuse, ajoutez un peu de farine (1/2 à 1 cuillère à café une ou plusieurs fois, selon les besoins).

ARRÊT DU PROGRAMME

Une fois le processus de cuisson terminé, 10 bips sonores se feront entendre et 0:00 sera affiché. À la fin du programme la machine passe automatiquement en mode réchauffage pendant 60 minutes. Dans ce mode, de l'air chaud circule à l'intérieur de l'appareil. Pour arrêter définitivement cette fonction de réchauffage, maintenez enfoncée la touche Start/Stop jusqu'à ce que deux longs bips soit émis.

AVERTISSEMENT

Débranchez toujours l'appareil du secteur avant d'ouvrir le couvercle. Lorsqu'il n'est pas utilisé, l'appareil ne doit jamais être branché au secteur !

SORTIR LE PAIN

Utilisez toujours des gants pour four pour sortir le moule de cuisson. Tenez le moule incliné sur la grille et secouez légèrement jusqu'à ce que le pain sorte du moule. Si le pain n'arrive pas à se dégager des palettes de pétrissage, utilisez le crochet fournis pour retirer les palettes de pétrissage du pain.

Remarque :

N'utilisez jamais d'ustensiles en métal car ils peuvent rayer le revêtement antiadhésif. Rincez le moule de cuisson à l'eau chaude tout de suite après le retrait du pain. Ceci empêcherait les palettes de pétrissage de coller dans les tiges d'entraînement.

Conseil : Si vous ôtez les palettes de pétrissage juste à la fin du pétrissage de la pâte, le pain restera intact lorsque vous le sortez du moule de cuisson.

- Appuyez brièvement sur la touche Start/Stop pour interrompre le processus de cuisson ou débranchez la prise secteur.
- Ouvrez le couvercle et sortez le moule de cuisson de l'appareil. Vous pouvez sortir la pâte avec vos mains enfarinées et retire les palettes de pétrissage.
- Remettez la pâte et refermez le couvercle.
- Branchez la prise secteur et appuyez sur la touche Start/Stop. Le programme de cuisson reprend. Laissez le pain refroidir pendant 15 à 30 minutes avant d'en manger. Avant de couper le pain, assurez-vous que les palettes de pétrissage ont été retirées.

Avertissement

N'essayez pas de démarrer la machine à pain avant qu'elle ne soit refroidie ou préchauffée. Si l'écran affiche "HHH" une fois le programme démarré, cela veut dire que la température à l'intérieur de l'appareil est trop élevée. Vous devez arrêter immédiatement le programme et débrancher de la prise de courant. Puis ouvrez le couvercle et laissez l'appareil refroidir complètement avant de la réutiliser (à l'exception pour les programmes Cuisson (BAKE) et Confiture (JAM)). Si l'écran affiche "LLL" une fois le programme démarré, cela veut dire que la température à l'intérieur de l'appareil est trop basse. Vous devez placez la machine à pain dans un environnement plus chaud (à l'exception pour les programmes Cuisson (BAKE) et Confiture (JAM)). Si l'écran affiche "EEO" une fois la touche Start/Stop appuyée, cela veut dire que le capteur de température est en circuit ouvert, adressez-vous à un spécialiste agréé pour examiner soigneusement le capteur. Si l'écran affiche "EE1" cela veut dire que le capteur de température est en court-circuit.

NETTOYAGE ET ENTRETIEN

Débranchez la machine de la prise secteur et laissez-la refroidir avant de procéder à son nettoyage.

IMPORTANT :

Les pièces et les accessoires de l'appareil ne doivent pas être lavés dans un lave-vaisselle.

1. Moule de cuisson : frottez l'intérieur et l'extérieur à l'aide d'un chiffon humide. N'utilisez pas d'ustensile pointu ou d'agent abrasif pour nettoyer le revêtement anti-adhérent. Le moule de cuisson doit être complètement sec avant l'installation.
2. Lames de pétrissage : si les lames de pétrissage sont difficiles à retirer de l'axe, remplissez le récipient d'eau chaude et laissez tremper pendant environ 30 minutes. Les lames peuvent être alors retirées facilement pour le nettoyage. Essuyez délicatement les lames avec un chiffon humide ; notez que le moule de cuisson et les lames de pétrissage peuvent être lavés au lave-vaisselle.
3. Couvercle et hublot de contrôle : nettoyez l'intérieur et l'extérieur du couvercle à l'aide d'un chiffon légèrement humide.
4. Boîtier : essuyez doucement la surface extérieure du boîtier à l'aide d'un chiffon humide. N'utilisez pas de nettoyant abrasif pour nettoyer le boîtier car cela pourrait endommager la surface vernie. N'immergez jamais le boîtier dans de l'eau pour la nettoyer.
5. Avant de ranger la machine à pain, assurez-vous qu'elle ait complètement refroidi, qu'elle soit propre et sèche, et que le couvercle soit fermé.

DONNEES TECHNIQUES:

220-240V ~ 50Hz • 850W

**Mise au rebut dans le respect de l'environnement**

Vous pouvez contribuer à protéger l'environnement ! Il faut respecter les réglementations locales. La mise au rebut de votre appareil électrique usagé doit se faire dans un centre approprié de traitement des déchets.

TEMPS DE PROGRAMMEE

Temps de réchauffement 60 min, temps de pré-Programmeable jusqu'à 15 heures

Programme	1.BASIC						2.FRENCH						3.WHOLE WHEAT					
	Light/medium/dark			RAPID			Light/medium/dark			RAPID			Light/medium/dark			RAPID		
Taille	1250g	1000g	750g	1250g	1000g	750g	1250g	1000g	750g	1250g	1000g	750g	1250g	1000g	750g	1250g	1000g	750g
Temps de travail	03:15	03:05	02:58	02:25	02:20	02:14	03:25	03:18	03:13	02:30	02:25	02:18	03:35	03:25	03:18	02:35	02:30	02:24
Chauffer	20	15	15	0	0	0	15	10	10	-	-	-	20	15	15	0	0	0
Pétrir 1	13	13	12	13	13	12	15	12	12	13	13	12	12	12	11	13	13	11
Augmenter 1	25	25	25	10	10	10	20	20	20	10	10	10	30	30	30	10	10	10
Pétrir 2	12	12	10	9	9	8	15	15	13	9	9	8	15	15	13	9	9	9
Augmenter 2	30	30	30	18	18	18	35	41	43	18	18	18	38	38	38	23	23	23
Augmenter 3	30	30	30	30	30	30	35	35	35	30	30	30	35	35	35	35	35	35
Bake	65	60	56	65	60	56	70	65	60	70	65	60	65	60	56	65	60	56
Ajouter des fruits	02:10	02:05	02:01	01:58	01:53	01:49	02:28	02:29	02:26	02:03	01:58	01:53	02:26	02:21	02:17	02:08	02:03	01:59

Programme	4.SWEET						5.SUPER RAPID			8.BUTTER MILK			9.GLUTEN FREE		
	Light/medium/dark			RAPID			Light/medium/dark			Light/medium/dark			Light/medium/dark		
Taille	1250g	1000g	750g	1250g	1000g	750g	1250g	1000g	750g	1250g	1000g	750g	1250g	1000g	750g
Temps de travail	03:10	03:01	02:56	02:20	02:16	02:10	1:20	01:18	01:15	03:30	03:21	03:17	02:25	02:20	02:14
Chauffer	15	10	10	0	0	0	-	-	-	30	25	25	0	0	0
Pétrir 1	12	12	12	12	12	11	8	8	8	10	10	10	13	13	12
Augmenter 1	25	25	25	10	10	10	-	-	-	20	20	20	10	10	10
Pétrir 2	13	13	12	10	10	8	7	7	7	15	15	15	9	9	8
Augmenter 2	35	35	35	18	18	18	0	0	0	45	45	45	18	18	18
Augmenter 3	30	30	30	30	30	30	-	-	-	30	30	30	30	30	30
Bake	60	56	52	60	56	52	45	43	40	60	56	52	65	60	56
Ajouter des fruits	02:11	02:07	02:03	01:54	01:50	01:46	01:10	01:08	01:05	02:23	02:19	02:15	01:58	01:53	01:49

Programmes de pâte

Programme	6.DOUGH	7.PASTA DOUGH
Taille	750-1250 g	750-1250 g
Temps de travail	01:50	00:15
Chauffer	10	-
Pétrir 1	12	15
Augmenter 1	10	-
Pétrir 2	8	0
Augmenter 2	25	0
Augmenter 3	45	-
Ajouter des fruits	01:15	-
Temps de retard	15 hour	15hour

Programme	10.CAKE			11. JAM	12. BAKE
Croûte	Light/medium/dark			-	Light/medium/dark
Taille	1250g	1000g	750g	-	-
Temps de travail	01:40	01:35	01:30	01:20	01:00
Pétrir 1	15	15	15	45	0
Bake	70	65	60	20	60
Garder au chaud	60	60	60	-	60
Temps de retard	15hour	15hour	15hour	-	15hour

MANUAL DE INSTRUCCIONES

Lea detenidamente este manual antes del uso y consérvelo para referencia futura

DIRECTRICES IMPORTANTES DE SEGURIDAD:

Antes de usar el aparato eléctrico, se deben seguir siempre las precauciones básicas:

1. Lea todas las instrucciones.
2. Antes de usarlo compruebe que la tensión de la toma de pared se corresponde con la que aparece en la placa identificativa.
3. No ponga en funcionamiento ningún aparato con un cable o enchufe dañados, o después de que el aparato con funcione correctamente, o si se ha caído o presenta daños de cualquier manera. Devuelva el aparato al fabricante o al agente del servicio técnico autorizado más cercano para su examen, reparación o ajuste mecánico o eléctrico.
4. No toque las superficies calientes. Utilice asas o pomos.
5. Para protegerse frente a descargas eléctricas, no sumerja el cable, enchufes o carcasa en agua u otros líquidos.
6. Desenchúfelo de la toma eléctrica cuando no esté en uso antes de colocar o extraer piezas y antes de limpiarlo.
7. No deje que el cable cuelgue por el borde de una mesa o que esté colocado sobre una superficie caliente.
8. El uso de accesorios no recomendados por el fabricante del aparato puede causar lesiones.
9. Este aparato no está diseñado para que lo usen personas (incluidos niños) con capacidades físicas, sensoriales o mentales reducidas, o con falta de conocimientos o experiencia, a menos que hayan recibido supervisión o formación en lo referente al uso del aparato por parte de una persona responsable de su seguridad.
10. Debe supervisarse a los niños para asegurarse que no jueguen con el aparato.
11. No lo coloque encima o cerca de un quemador de gas o eléctrico caliente, o en un horno calentado.
12. No toque las piezas móviles o giratorias de la máquina cuando esté realizando la cocción.
13. Nunca conecte el aparato sin colocar bien la bandeja del pan con ingredientes.
14. Nunca golpee la bandeja del pan en la parte superior o en el borde para retirar la bandeja, ya que esto puede dañar la bandeja del pan.
15. No deben insertarse papel de aluminio u otros materiales en la panificadora ya que esto puede producir el riesgo de incendio o de un cortocircuito.
16. Nunca cobra la panificadora con una toalla o cualquier otro material; el calor y el vapor deben poder escapar de forma libre. Se puede provocar un incendio si se cubre o si entra en contacto con material combustible.

17. No ponga en funcionamiento el aparato para otro uso que no sea el previsto.
18. No lo use en el exterior.
19. Los aparatos no están diseñados para accionarse por medio de un temporizador externo o un sistema de mando a distancia separado.
20. Conserve estas instrucciones.

Max. cantidad: 800g de harina y 6g de levadura! SÓLO PARA USO DOMÉSTICO

VISTA GENERAL DEL APARATO

(véase figura 1)

1. Tapa del aparato
2. Ventana de visionado
3. 2 paletas de amasado
4. Molde de cocción
5. Panel de control
6. Carcasa
7. Retirador de paleta de amasado
8. Vaso de medida
9. Cuchara de medir

INTRODUCCIÓN AL USO ADECUADO: PROPIEDADES

Puede usar la panificadora automática para realizar su cocción de pan según sus gustos.

- Puede elegir entre 12 programas diferentes de cocción.
- Puede usar mezclas de cocción listas para su uso.
- Puede amasar pasta de fideos o pasta de rollitos o hacer mermelada.
- Cuando use el programa de cocción "gluten-free" (sin gluten), puede realizar exitosas mezclas de cocción y recetas con harina sin gluten, como harina de maíz, harina de alforfón y harina de patata.

PANEL DE CONTROL (véase figura 2)**A. Pantalla**

1. Pantalla para la selección del peso (750g, 1000g, 1250g)
2. El tiempo de cocción restante en minutos y el tiempo programado
3. El grado seleccionado de aditamento (Lower (Inferior) → Medium (Medio) → Dark (Oscuro) → Rapid (Rápido))
4. El número de programa seleccionado
5. La secuencia de procesamiento del programa

B. MENÚ

Cargue el programa de cocción que desee. El número del programa y el tiempo de cocción correspondiente aparecen en la pantalla.

Importante:

Cuando se pulsa cualquier botón táctil, se debe oír una señal acústica, salvo que el aparato esté en funcionamiento.

C. TAMAÑO DE LA REBANADA

Seleccione el peso bruto (750g, 1,000g, 1,250g). Pulse el botón hasta que el marcador aparezca bajo el peso que desee.

Nota:

La configuración por defecto tras la activación del aparato es 1,250g. Los programas 6, 7, 11 y 12 no pueden ajustar el tamaño de la rebanada.

D. TEMPORIZADOR DE RETARDO

Cocción con tiempo de retardo.

E. COLOR

Seleccione el grado de aditamento (Lower (Inferior) → Medium (Medio) → Dark (Oscuro) → Rapid (Rápido)). Pulse el botón Colour hasta que el marcador aparezca por encima del grado de aditamento que desee. El tiempo de cocción cambia dependiendo del nivel de aditamento seleccionado. Para los programas de cocción 1-4 puede activar el modo rápido pulsando el botón hasta que el triángulo indique el programa rápido. Los programas 6, 7, y 11 no pueden seleccionar la configuración de color.

F. INICIO/PARADA

Se usa para iniciar o detener el funcionamiento o para eliminar un temporizador fijado. Para interrumpir el funcionamiento, pulse brevemente el botón Start/Stop hasta que se oiga una señal acústica y la hora parpadee en la pantalla. Se puede reiniciar la operación volviendo a pulsar el botón Start/Stop. Si no pulsa manualmente el botón Start/Stop, la máquina reiniciará el programa automáticamente después de 10 minutos. Para finalizar el funcionamiento y eliminar la configuración, mantenga pulsado el botón Start/Stop durante 3 segundos hasta que oiga una larga señal acústica.

Nota:

No pulse el botón Start/Stop cuando simplemente desee comprobar el estado del pan.

FUNCIÓN DE MEMORIA

Cuando se vuelve a conectar debido a una fallo de alimentación de hasta 10 minutos, el programa continuará desde el mismo punto. Esto no se aplica, no obstante, cuando termine / cancele el proceso de cocción manteniendo pulsado el botón Start/Stop durante 3 segundos.

VISOR

Puede comprobar el proceso de cocción a través del visor.

PROGRAMAS DE COCCIÓN

Seleccione el programa que desee pulsando el botón de menú. En la pantalla se muestra el número del programa correspondiente. El tiempo de cocción depende de las combinaciones del programa seleccionado. Véase el capítulo "Secuencia de programas".

PROGRAMA DE COCCIÓN 1: BÁSICO

Es para pan blanco o mezcla consistente en harina Blanca o harina de centeno. El pan presenta una consistencia compacta. Puede ajustar el grado de aditamento del pan mediante el botón Colour.

PROGRAMA DE COCCIÓN 2: FRANCÉS

Es para pan ligero hecho de harina fina. Normalmente el pan es esponjoso y tiene una corteza crujiente. No es apto para recetas de cocción que requieran mantequilla, margarina o leche.

PROGRAMA DE COCCIÓN 3: TRIGO INTEGRAL

Es para pan con variedades pesadas de harina que requieren una fase de amasado y subida más larga (por ejemplo, harina de trigo integral o harina de centeno). El pan será más compacto y pesado.

PROGRAMA DE COCCIÓN 4: DULCE

Es para pan con aditivos como zumos de fruta, coco rallado, frutos secos, chocolate o azúcar añadido. Debido a su fase de subida más prolongada el pan será ligero y liviano.

PROGRAMA DE COCCIÓN 5: SÚPER RÁPIDO

Amasado, subida y cocción muy rápidas. Pero el pan cocido es el más áspero entre todos los menús de pan.

PROGRAMA DE COCCIÓN 6: MASA

Es para la preparación de pasta con levadura para bolos, pizza o trenzas. En este programa no se realiza cocción.

PROGRAMA DE COCCIÓN 7: MASA PARA PASTA

Es para preparar pasta de fideos. En este programa no se realiza cocción.

PROGRAMA DE COCCIÓN 8: LECHE AGRIA

Es para pan hecho con leche agria o yogur.

PROGRAMA 9: SIN GLUTEN

Es para pan que usa harina sin gluten y mezclas de cocción. Las harinas sin gluten requieren más tiempo para la absorción de líquidos y tienen diferentes propiedades de subida.

PROGRAMA DE COCCIÓN 10: PASTEL

Amasado, subida y cocción, pero la subida también se realiza con levadura y bicarbonato

PROGRAMA 11: MERMELADA

Es para realizar mermeladas.

PROGRAMA 12: COCCIÓN

Es para la cocción adicional de pan que es muy ligero o no está suficientemente cocido. En este programa no existe ni el amasado ni el reposo. El pan se mantiene caliente durante casi una hora tras finalizar la operación de cocción. Esto evita que el pan se quede demasiado húmedo.

- Para terminar prematuramente esta función, mantenga pulsado el botón Start/Stop durante tres segundos, hasta que se oiga una larga señal acústica. Para apagar el aparato, desconecte el aparato de la corriente eléctrica.

En los programas 1, 2, 3, 4, 5, 6, 8 y 9 se oyen señales acústicas rápidas durante la secuencia del

programa. Después de esto, añada los ingredientes como las frutas o frutos secos. Y aparecerá la letra "ADD" (AÑADIR). La paleta de amasar no corta los ingredientes.

Si ha fijado el temporizador de retardo, puede colocar todos los ingredientes en el molde de cocción al principio. En este caso, sin embargo, se debe cortar la fruta y los frutos secos en trozos pequeños.

FIJAR EL TEMPORIZADOR

La función del temporizador permite una cocción con retardo. Usando las teclas de flecha < y >, fije la hora de finalización que desee para la operación de cocción. Seleccione un programa. La pantalla indica el tiempo de cocción necesario. Usando la tecla de flecha < y > puede aumentar el tiempo de finalización de la operación de cocción en intervalos de 10 minutos. Mantenga pulsada la tecla de la flecha para realizar esta función más rápido. La pantalla muestra la duración total del tiempo de cocción y el tiempo de retardo. Si se sobrepasa mientras cambia el tiempo, puede corregirlos usando la tecla de flecha < y >. Confirme la configuración del temporizador por medio del botón Start/Stop. El punto de la pantalla parpadea y el tiempo programado empieza a correr. Cuando se haya completado el proceso de cocción, se oyen diez señales acústicas y la pantalla indica 0:00.

Ejemplo:

Son las 8 a.m. y le gustaría tener pan fresco en 7 horas y 15 minutos a las 3.15 p.m. Primero seleccione el programa 1, y posteriormente pulse el botón del temporizador hasta que aparezca 7:15 en la pantalla, ya que la hora a la que el pan esté finalizado es de 7 horas y 15 minutos. Tenga en cuenta que la función del temporizador puede no estar disponible en el programa de mermelada.

Nota

No use la función del temporizador cuando esté funcionando con ingredientes que se estropeen rápidamente, como huevos, leche, crema o queso.

ANTES DE LA COCCIÓN

Para un proceso de cocción con éxito, por favor, tenga en cuenta los siguientes factores:

INGREDIENTES

- Extraiga el molde de cocción de la carcasa antes de colocar los ingredientes. Si los ingredientes alcanzan la zona de cocción, pueden provocar un incendio provocado por su calentamiento en los elementos de calor.
- Coloque siempre los ingredientes en el orden mencionado en el molde de cocción.
- Todos los ingredientes deben estar a temperatura ambiente para mantener el resultado óptimo de subida que se deriva de la levadura.
- Mida los ingredientes con precisión. Incluso las desviaciones más imperceptibles de las cantidades especificadas en la receta pueden afectar los resultados de la cocción.

Nota

Nunca use cantidades más grandes que las especificadas. Puede sobresalir demasiada masa del molde de cocción y caerse en los elementos de calor calientes, provocando un incendio. Max. 800g de harina y 6g de levadura!

PREPARACIÓN DE LA COCCIÓN DEL PAN

Mantenga las instrucciones de seguridad en este manual. Coloque la panificadora sobre una superficie firme y estable.

1. Tire hacia arriba del molde de cocción para extraerlo del aparato.
2. Empuje las paletas de amasado sobre los ejes propulsores del molde de cocción. Asegúrese que están colocados firmemente en su lugar.
3. Coloque los ingredientes de su receta en el orden mencionado en el molde de cocción. Primero añada los líquidos, azúcar y sal, después el harina, añadiendo la levadura como el ultimo ingrediente.

Nota: Asegúrese que la levadura no entre en contacto con la sal o líquidos.

Para obtener información acerca de las cantidades máximas de harina y levadura que pueden usarse, remítase a la receta.

4. Vuelva a colocar el molde de cocción en el aparato. Asegúrese que está colocado correctamente.
5. Cierre la tapa del aparato.
6. Coloque el enchufe en la toma de alimentación. Suen a una señal acústica y la pantalla indica el número del programa y la duración del programa normal 1.
7. Seleccione el programa con el botón de menú. Cada pulsación se confirma mediante una señal acústica.
8. Seleccione el color del pan. Los marcadores de la pantalla mostrarán si ha elegido suave, medio u oscuro. Asimismo puede seleccionar la configuración "Rapid" (Rápida) para acortar el tiempo de cocción.

Nota

Para los programas 6, 7 y 11, no están disponibles las funciones "grado de aditamento" y "Rápido".

9. Ahora tiene la posibilidad de configurar la hora de finalización del programa mediante la función temporizador. Puede introducir un retardo máximo de hasta 15 horas.

Nota

Esta función de retardo no está disponible para el programa 11.

I

NICIAR UN PROGRAMA

Ahora inicie el programa usando el botón Start/Stop. El programa realizará de forma automática varias operaciones. Puede ver la secuencia del programa mediante el visor de la panificadora. De forma ocasional, se puede producir condensación en el visor durante la cocción. La tapa del aparato puede abrirse durante el amasado.

Nota

No abra la tapa del aparato durante la cocción. El pan puede desmoronarse.

Consejo: Tras 5 minutos de amasado, compruebe la consistencia de la masa. Debe ser una masa suave y pegajosa. Si está demasiado seca, añádala algo de líquido. Si está demasiado húmeda, añada harina (1/2 a 1 cucharadita una o más veces, según sea necesario).

FINALIZAR UN PROGRAMA

Cuando se haya completado el proceso de cocción, se oyen diez señales acústicas y la pantalla indica 0:00. Al final del programa, el aparato cambia automáticamente a modo calentamiento durante hasta 60 minutos. En este modo, el aire caliente circula dentro del aparato. Puede terminar de forma prematura la función de calentamiento manteniendo pulsado el botón Start/Stop hasta que se oigan dos señales acústicas.

ADVERTENCIA

Antes de abrir la tapa de aparato, retire el enchufe de la toma de alimentación. Cuando no vaya a usarse, ¡nunca debe enchufarse el aparato!

SACAR EL PAN

Cuando saque el molde de cocción, use siempre pinzas o guantes para horno. Sujete el molde de cocción inclinado sobre una rejilla y agítelo ligeramente hasta que el pan se deslice fuera del molde de cocción. Si el pan no se desliza fuera de las paletas de amasado, retire con cuidado las paletas de amasado usando el retirador de paletas de amasado.

Nota

No use ningún objeto metálico que pueda provocar arañazos en la superficie antiadherente. Tras retirar el pan, limpie inmediatamente el molde de cocción con agua caliente. Esto evita que las paletas de amasado se peguen al eje propulsor.

Consejo: Si retira las paletas de amasado después del último amasado de la masa, el pan permanecerá intacto cuando lo retire del molde de cocción.

- Pulse brevemente el botón Start/Stop para interrumpir el proceso de cocción o retire el enchufe de la toma de alimentación.
- Abra la tapa del aparato y extraiga el molde de cocción. Puede extraer la masa con las manos enharinadas y retire las paletas de amasado.

- Vuelva a colocar la masa y cierre la tapa del aparato.
- Vuelva a colocar el enchufe en la toma de alimentación y pulse el botón Start/Stop. Continuará el programa de cocción. Deje que el pan se enfríe durante 15-30 minutos antes de comer. Antes de cortar el pan, asegúrese que ya no haya ninguna paleta de amasado en el molde de cocción.

Advertencia

No intente poner en funcionamiento la panificadora antes de que bien se haya enfriado o se haya calentado. Si la pantalla muestra "HHH" una vez que se ha iniciado el programa, indica que la temperatura dentro de la bandeja de pan es demasiado elevada. Debe detener el programa y retirar el enchufe de la toma de alimentación inmediatamente. Posteriormente, abra la tapa y deje que la máquina se enfríe completamente antes de volver a usarla (excepto en el programa de COCCIÓN y MERMELADA). Si la pantalla muestra "LLL" una vez que se ha iniciado el programa, indica que la temperatura dentro de la bandeja de pan es demasiado baja. Debe colocar la panificadora a una temperatura más elevada para su uso (excepto en el programa de COCCIÓN y MERMELADA). Si la pantalla muestra "EE0" una vez que se ha pulsado el botón Start/Stop, indica un circuito abierto del sensor de temperatura; por favor, haga que un experto autorizado compruebe detenidamente el sensor. Si la pantalla muestra "EE1", indica un cortocircuito del sensor de temperatura.

LIMPIEZA Y MANTENIMIENTO

Desconecte la máquina de la alimentación y deje que se enfríe antes de limpiarla.

IMPORTANTE

Las piezas y accesorios del aparato no deben lavarse en un lavavajillas.

1. Bandeja del pan: Frote el interior y exterior con un paño húmedo. No use ningún objeto afilado o abrasivo para proteger el revestimiento antiadherente. La bandeja debe secarse completamente antes de instalarla.
2. Cuchilla de amasar: Si la barra de amasado es difícil de retirar del eje, llene el recipiente con agua caliente y deje que empape durante aproximadamente 30 minutos. El amasador debe posteriormente retirarse fácilmente para su limpieza. Asimismo limpie la cuchilla con cuidado con un paño de algodón húmedo. Por favor, tenga en cuenta que tanto la bandeja del pan como la cuchilla de amasado son componentes seguros para lavarlos en el lavavajillas.
3. Tapa y visor: limpie el interior y exterior de la tapa con un paño ligeramente húmedo.
4. Carcasa: limpie suavemente la superficie exterior de la carcasa con un paño húmedo. No use ningún limpiador abrasivo ya que esto degradará

la superficie altamente pulida. Nunca sumerja la carcasa en agua para su limpieza.

5. Antes de embalar la panificadora para su almacenamiento, asegúrese de que se ha enfriado completamente, está limpia y seca, y que la tapa está cerrada.

DATOS TÉCNICOS:

220-240V ~ 50Hz • 850W



Eliminación respetuosa con el medioambiente:

■ ¡Puede ayudar a proteger el medioambiente! Por favor, recuerde respetar la normativa local: entregue el equipo eléctrico que no funciona en un centro de recogida de residuos apropiado.

HORARIOS DE LOS PROGRAMAS

Tiempo de calentamiento 60 min, tiempo de pre-programable hasta 15 horas

Programa	1.BASIC						2.FRENCH						3.WHOLE WHEAT					
	Light/medium/dark			RAPID			Light/medium/dark			RAPID			Light/medium/dark			RAPID		
Tamaño del pan	1250g	1000g	750g	1250g	1000g	750g	1250g	1000g	750g	1250g	1000g	750g	1250g	1000g	750g	1250g	1000g	750g
Horas de trabajo	03:15	03:05	02:58	02:25	02:20	02:14	03:25	03:18	03:13	02:30	02:25	02:18	03:35	03:25	03:18	02:35	02:30	02:24
Calentarse	20	15	15	0	0	0	15	10	10	-	-	-	20	15	15	0	0	0
Amasar 1	13	13	12	13	13	12	15	12	12	13	13	12	12	12	11	13	13	11
Subir 1	25	25	25	10	10	10	20	20	20	10	10	10	30	30	30	10	10	10
Amasar 2	12	12	10	9	9	8	15	15	13	9	9	8	15	15	13	9	9	9
Subir 2	30	30	30	18	18	18	35	41	43	18	18	18	38	38	38	23	23	23
Subir 3	30	30	30	30	30	30	35	35	35	30	30	30	35	35	35	35	35	35
Cocción	65	60	56	65	60	56	70	65	60	70	65	60	65	60	56	65	60	56
Agregar frutas	02:10	02:05	02:01	01:58	01:53	01:49	02:28	02:29	02:26	02:03	01:58	01:53	02:26	02:21	02:17	02:08	02:03	01:59

Programa	4.SWEET						5.SUPER RAPID			8.BUTTER MILK			9.GLUTEN FREE		
	Light/medium/dark			RAPID			Light/medium/dark			Light/medium/dark			Light/medium/dark		
Tamaño del pan	1250g	1000g	750g	1250g	1000g	750g	1250g	1000g	750g	1250g	1000g	750g	1250g	1000g	750g
Horas de trabajo	03:10	03:01	02:56	02:20	02:16	02:10	1:20	01:18	01:15	03:30	03:21	03:17	02:25	02:20	02:14
Calentarse	15	10	10	0	0	0	-	-	-	30	25	25	0	0	0
Amasar 1	12	12	12	12	12	11	8	8	8	10	10	10	13	13	12
Subir 1	25	25	25	10	10	10	-	-	-	20	20	20	10	10	10
Amasar 2	13	13	12	10	10	8	7	7	7	15	15	15	9	9	8
Subir 2	35	35	35	18	18	18	0	0	0	45	45	45	18	18	18
Subir 3	30	30	30	30	30	30	-	-	-	30	30	30	30	30	30
Cocción	60	56	52	60	56	52	45	43	40	60	56	52	65	60	56
Agregar frutas	02:11	02:07	02:03	01:54	01:50	01:46	01:10	01:08	01:05	02:23	02:19	02:15	01:58	01:53	01:49

Programas de masa

Programa	6.DOUGH	7.PASTA DOUGH
Tamaño del pan	750-1250 g	750-1250 g
Horas de trabajo	01:50	00:15
Calentarse	10	-
Amasar 1	12	15
Subir 1	10	-
Amasar 2	8	0
Subir 2	25	0
Subir 3	45	-
Agregar frutas	01:15	-
Tiempo de retardo	15 hour	15hour

Programa	10.CAKE			11.JAM	12.BAKE
Corteza	Light/medium/dark			-	Light/medium/dark
Tamaño del pan	1250g	1000g	750g	-	-
Horas de trabajo	01:40	01:35	01:30	01:20	01:00
Amasar 1	15	15	15	45	0
Cocción	70	65	60	20	60
Mantener el calor	60	60	60	-	60
Tiempo de retardo	15hour	15hour	15hour	-	15hour

MANUALE DI ISTRUZIONI

Leggere con cura il presente manuale e conservarlo per riferimento futuro

IMPORTANTI ISTRUZIONI PER LA SICUREZZA:

Prima di utilizzare l'apparecchio elettrico attenersi sempre alle seguenti istruzioni base sulla sicurezza:

- Leggere tutte le istruzioni.
- Prima dell'uso controllare che la tensione della presa a muro corrisponda a quella presente sulla targhetta delle specifiche.
- Non utilizzare l'apparecchio se il cavo o la spina sono danneggiati o dopo problemi di funzionamento dell'apparecchio stesso, oppure se è caduto o è stato danneggiato in qualche modo. Riconsegnare l'apparecchio al produttore o presso il centro di assistenza più vicino affinché venga esaminato, riparato dal punto di vista elettrico o venga regolato a livello meccanico.
- Non toccare le superfici calde. Usare le maniglie o le manopole.
- Per evitare elettrocuzioni non immergere il cavo, le spine o l'alloggiamento in acqua o in altro liquido.
- Scollegare la spina dalla presa a muro se l'apparecchio non è in uso, prima di montare o togliere dei pezzi o prima di pulire.
- Il cavo non deve penzolare dal bordo del tavolo e non deve trovarsi su una superficie calda.
- L'uso di attacchi per accessori non consigliati dal produttore dell'apparecchio può provocare fermenti.
- Questo apparecchio non è destinato all'uso da parte di persone (compresi bambini) con ridotte capacità mentali, fisiche o sensoriali o prive di esperienza e conoscenze in merito, salvo in presenza di altre persone che ne sorvegliano l'operato o ricevano istruzioni sull'uso dell'apparecchio da una persona responsabile della loro sicurezza.
- I bambini devono essere sorvegliati onde evitare che giochino con l'apparecchio.
- Non posizionare l'apparecchio sopra o vicino fonte calda a gas, bruciatore elettrico o forno riscaldato.
- Non toccare le parti in movimento o in rotazione della macchina durante la preparazione del pane.
- Non accendere l'apparecchio senza aver posizionato lo stampo per il pane in modo appropriato e senza averlo riempito con gli ingredienti per l'impasto.
- Non colpire mai lo stampo per il pane nella parte alta o sul bordo per rimuoverlo, altrimenti rischia di essere danneggiato.
- Non introdurre carta stagnola o altri materiali nella macchina per il pane perché possono provocare incendi o cortocircuiti.
- Non coprire mai la macchina per il pane con una tovaglia o altra stoffa, in quanto il calore e il vapore devono poter fuoriuscire liberamente. Si potrebbe provocare un incendio coprendo la macchina

o se questa viene in contatto con materiale combustibile.

- Non utilizzare l'apparecchio per usi diversi da quello previsto.
- Non utilizzare all'esterno.
- I prodotti non sono progettati per essere usati con un timer esterno o un sistema separato di telecomando.
- Conservare le istruzioni.

Max. quantità: 800g farina e 6g lievito! SOLO PER USO DOMESTICO

PANORAMICA DISPOSITIVO (vedere fig. 1)

- Coperchio dell'apparecchio
- Finestra di ispezione
- 2 palette impastatrici
- Stampo di cottura
- Pannello di controllo
- Alloggiamento
- Attrezzo per la rimozione della paletta impastatrice
- Tazza graduata
- Cucchiaino graduato

INTRODUZIONE ALL'USO CONFORME PROPRIETA

La macchina per il pane automatica può essere utilizzata per preparare il pane in base al proprio gusto.

- Sono disponibili 12 programmi di preparazione del pane differenti.
- Si possono utilizzare miscele per la cottura già pronte.
- Si può preparare l'impasto per la pasta all'uovo o per il rotolo e si può cuocere la marmellata.
- Con il programma di cottura "senza glutine" si può preparare dell'ottimo pane senza glutine utilizzando miscele e ricette con farina senza glutine, come la farina di mais, la farina di grano saraceno e la fecola di patate.

PANNELLO DI CONTROLLO (vedere fig. 2)

A. Display

- Display per la selezione del peso (750g, 1000g, 1250g)
- Tempo di cottura rimanente in minuti e il tempo programmato
- Il grado scelto di doratura (Minore → Media → Scura → Rapida)
- Il numero del programma scelto
- La sequenza di elaborazione del programma

B. MENU

Caricare il programma di cottura desiderato. Il numero del programma e il tempo di cottura corrispondente appaiono sul display.

Importante: quando si premono i pulsanti viene emesso un segnale acustico, a meno che l'apparecchio è in funzione.

C. DIMENSIONE PAGNOTTA

Selezionare il peso lordo (750g, 1000g, 1250g). Premere il pulsante tante volte quante necessarie per vedere

apparire il simbolo sotto il peso desiderato.

Nota: l'impostazione predefinita all'attivazione dell'apparecchio è 1250g. I programmi 6, 7, 11 e 12 non consentono di regolare il peso della pagnotta.

D. TIMER RITARDATO

Cottura differita.

E. COLORE

Selezionare il colore della doratura (Minore → Media → Scura → Rapida). Premere il pulsante del Colore tante volte quante necessarie per vedere apparire il simbolo sopra il grado di doratura desiderato. Il tempo di cottura varia a seconda del livello di doratura scelto. Nei programmi di cottura 1-4 si può attivare la modalità rapida premendo il pulsante finché un triangolo non indica il programma rapido. I programmi 6, 7 e 11 non permettono di impostare il colore della doratura.

F. AVVIO/INTERRUZIONE

Per avviare e arrestare il funzionamento o per annullare un timer impostato. Per interrompere il funzionamento, premere brevemente il pulsante Avvio/Interruzione, finché non viene emesso un segnale acustico e il tempo lampeggia sul display. Premendo di nuovo il pulsante Avvio/Interruzione si può riprendere il funzionamento. Se non si preme il pulsante Avvio/Interruzione a mano, la macchina riprende l'elaborazione del programma automaticamente dopo 10 minuti. Per ultimare l'operazione ed eliminare le impostazioni, tenere premuto il pulsante Avvio/Interruzione per 3 secondi finché non si sentono dei segnali acustici prolungati.

Nota:

Non premere il pulsante Avvio/Interruzione, se si deve soltanto controllare lo stato del pane.

FUNZIONE MEMORIA

Quando riattivato dopo un'interruzione della corrente di circa 10 minuti, il programma continuerà dallo stesso punto in cui è stato interrotto. Ciò non accade se si annulla/termina il processo di cottura premendo il pulsante Avvio/Interruzione per 3 secondi.

FINESTRA

Attraverso la finestra di ispezione si può controllare il processo di cottura.

PROGRAMMI DI COTTURA

Si può selezionare il programma desiderato premendo il pulsante menù. Il numero di programma corrispondente appare sul display. Il tempo di cottura dipende dalle combinazioni di programma scelte. Vedere capitolo "Sequenza di programma".

PROGRAMMA DI COTTURA 1: BASE

Per pane bianco e misto composto principalmente da farina di frumento o farina di segale. La consistenza del pane è compatta. Si può regolare il grado di doratura del pane tramite il pulsante Colore.

PROGRAMMA DI COTTURA 2: PANE FRANCESE

Per pane leggero composto da fior di farina. Di solito questo pane è soffice con la crosta croccante. Non è un programma idoneo per ricette che richiedono burro, margarina o latte.

PROGRAMMA DI COTTURA 3: FARINA DI GRANO INTEGRALE

Per pane con varietà dura di farina che richiede una fase più lunga di impasto e lievitazione (per esempio farina di grano integrale e farina di segale). Il pane sarà più compatto e pesante.

PROGRAMMA DI COTTURA 4: DOLCE

Per pane con aggiunta di succhi di frutta, farina di cocco, uvetta, frutta secca, cioccolato o zucchero aggiunto. In seguito alla fase più lunga di lievitazione il pane sarà leggero e soffice.

PROGRAMMA DI COTTURA 5: SUPER RAPIDO

Impasto, lievitazione e cottura con modalità molto rapida. Il pane preparato però è tra i più grossolani tra i vari tipi presenti.

PROGRAMMA DI COTTURA 6: IMPASTO PER LA PIZZA

Per preparare l'impasto per brioche, pizza o trecce. Questo programma non prevede la cottura.

PROGRAMMA DI COTTURA 7: PASTA ALL'UOVO

Per preparare l'impasto per le tagliatelle. Questo programma non prevede la cottura.

PROGRAMMA DI COTTURA 8: LATTICELLO

Per pane preparato con latticello o yogurt.

PROGRAMMA 9: SENZA GLUTINE

Per pane ottenuto con farina senza glutine e con miscele già pronte. La farina senza glutine richiede più tempo per assorbire i liquidi e ha delle proprietà di lievitazione differenti.

PROGRAMMA DI COTTURA 10: DOLCI

Impasto, lievitazione e cottura ma lievitazione con bicarbonato di sodio o lievito per dolci

PROGRAMMA 11: MARMELLATA

Per cuocere le marmellate.

PROGRAMMA 12: COTTURA

Per la cottura aggiuntiva di pane troppo leggero o non sufficientemente cotto. Questo programma non prevede l'impasto o il riposo. Il pane viene mantenuto caldo per circa un'ora alla fine dell'operazione di cottura. In tal modo il pane non s'inumidisce.

- Per interrompere anticipatamente questa funzione tenere premuto il pulsante Avvio/Interruzione per tre secondi, finché non si sentono dei segnali acustici prolungati.

Per spegnere l'apparecchio, scollegarlo dall'alimentazione.

Nei programmi 1, 2, 3, 4, 5, 6, 8 e 9 vengono emessi dei segnali acustici rapidi durante la sequenza del programma. Subito dopo aggiungere gli ingredienti come la frutta o le noci. Viene visualizzato il messaggio "AGGIUNGI". In questo modo si evita che gli ingredienti

vengano rovinati dalla lavorazione con la paletta impastatrice.

Se è stato impostato il timer ritardato, tutti gli ingredienti possono essere inseriti nello stampo all'inizio. In tal caso, frutta e noci devono essere tagliati a pezzetti più piccoli.

IMPOSTAZIONE DEL TIMER

La funzione del timer serve per impostare la cottura differita. Usare i tasti freccia < e >, ed impostare l'orario in cui deve essere ultimata l'operazione di cottura. Selezionare un programma. Il display indica il tempo di cottura richiesto. Usare il tasto freccia < e > per cambiare l'orario in cui deve essere ultimata l'operazione di cottura con incrementi di 10 minuti per passare a un orario successivo. Tenere premuto il tasto freccia per eseguire l'impostazione più rapidamente. Il display mostra la durata totale del tempo di cottura e il tempo ritardato. Se durante l'impostazione si supera l'orario desiderato si può correggere usando il tasto freccia < e >. Confermare l'impostazione del timer premendo il pulsante Avvio/Interruzione. I due punti sul display lampeggiano e il tempo programmato inizia a trascorrere. Quando la procedura di cottura è stata completata, vengono emessi dieci segnali acustici e il display indica 0:00.

Esempio:

Sono le 8 am e si desidera il pane fresco in 7 ore e 15 minuti, ossia alle 3.15 p.m. selezionare innanzitutto il programma 1, quindi premere il pulsante del timer finché non appare 7:15 sul display, in quanto il tempo entro cui deve essere ultimata la preparazione del pane sono 7 ore e 15 minuti. Si noti che la funzione del Timer non è disponibile nel programma per la marmellata.

Nota: Non utilizzare la funzione del timer se si lavorano ingredienti che si guastano rapidamente come le uova, il latte, la crema o il formaggio.

PRIMA DELLA COTTURA

Per ottenere una cottura ottimale, considerare i seguenti fattori:

INGREDIENTI

- Estrarre lo stampo dall'alloggiamento, prima di inserire gli ingredienti. Se gli ingredienti entrano in contatto con l'area di cottura, potrebbe innescarsi un incendio in seguito al surriscaldamento degli stessi sugli elementi riscaldanti.
- Introdurre gli ingredienti nello stampo secondo l'ordine indicato.
- Tutti gli ingredienti devono essere a temperatura ambiente per favorire il risultato ottimale della lievitazione.
- Pesare gli ingredienti con precisione. Anche degli scostamenti minimi dalle quantità specificate nella ricetta possono influire sui risultati di cottura.

Nota: Non usare mai quantità maggiori di quelle specificate. Un impasto troppo grande può lievitare

oltre lo stampo e cadere sugli elementi riscaldanti, innescando un incendio. Max. 800g farina e 6g lievito!

COTTURA DEL PANE

PREPARAZIONE

Attenersi alle istruzioni di sicurezza nel manuale. Sistemare la macchina per il pane su una base in piano e solida.

1. Tirare lo stampo verso l'alto per estrarlo dall'apparecchio.
2. Premere le palette impastatrici sull'albero di azionamento nell'impasto. Controllare che siano inserite saldamente.
3. Introdurre gli ingredienti nello stampo secondo l'ordine indicato. Aggiungere prima i liquidi, lo zucchero e il sale, quindi la farina aggiungendo il lievito come ultimo ingrediente.

Nota: Evitare che il lievito entri in contatto con il sale o con i liquidi.

Le quantità massime di farina e lievito che si possono usare sono stabilite in base alla ricetta.

4. Sistemare lo stampo nell'apparecchio. Controllare che sia posizionato in modo appropriato.
5. Chiudere il coperchio dell'apparecchio.
6. Inserire la spina nella presa. Viene emesso un segnale acustico e il display indica il numero di programma e la durata del programma normale 1.
7. Selezionare il programma con il pulsante menù. Ciascuna variazione è confermata da un segnale acustico.
8. Selezionare il colore della doratura del pane. Il simbolo sul display mostra se è stata scelta doratura leggera, media o scura. Si può anche scegliere l'impostazione "Rapida" per abbreviare il tempo di cottura.

Nota: Per i programmi 6, 7, 11, le funzioni "grado di doratura" e "Rapido" non sono disponibili.

9. A questo punto è possibile impostare l'orario in cui dovrà concludersi il programma tramite la funzione del timer. Si può impostare una cottura differita di 15 ore massimo.

Nota: Questa funzione ritardata non è disponibile con il programma 11.

AVVIO DI UN PROGRAMMA

A questo punto avviare il programma usando il pulsante Avvio/Interruzione. Il programma eseguirà automaticamente varie operazioni. Controllare la sequenza del programma dal vetro spia della macchina per il pane. A volte durante la cottura si può formare della condensa sul vetro. Durante lo svolgimento dell'impasto si può aprire il coperchio.

Nota: Non aprire il coperchio durante la cottura. Il pane potrebbe deccrescere.

Suggerimento: dopo 5 minuti di svolgimento dell'impasto, controllarne la consistenza. Dovrebbe essere una palla soffice e appiccicosa. Se è troppo

asciutta aggiungere del liquido. Se è troppo umida, aggiungere farina (1/2 o 1 cucchiaino una o più volte, secondo necessità).

CONCLUSIONE DI UN PROGRAMMA

Quando la procedura di cottura è stata completata, vengono emessi dieci segnali acustici e il display indica 0:00. Alla fine del programma l'apparecchio passa automaticamente alla modalità per mantenere il calore per 60 minuti. Con questa modalità, all'interno dell'apparecchio circola aria calda. Si può interrompere anticipatamente la funzione tenendo premuto il pulsante Avvio/Interruzione finché non sono emessi due segnali acustici

ATTENZIONE

Prima di aprire il coperchio, estrarre la spina dalla presa al muro. Se non è in uso l'apparecchio non deve essere mai collegato alla presa.

ESTRARRE IL PANE

Quando si estrae lo stampo, usare sempre le presine o i guanti da forno. Tenere lo stampo rovesciato su una griglia e scuotere delicatamente finché il pane non scivola via dallo stampo. Se lo stampo non si separa dalle palette impastatrici, asportarle con cura utilizzando l'attrezzo per la rimozione delle stesse.

Nota: Non usare oggetti di metallo che possono graffiare il rivestimento antiaderente. Dopo aver tolto il pane sciacquare immediatamente lo stampo con acqua tiepida. In tal modo le palette impastatrici non aderiscono all'albero di azionamento.

Suggerimento: Se si rimuovono le palette impastatrici al termine della preparazione di ogni impasto, il pane resterà intatto quando lo si estrae dallo stampo.

- Premere brevemente il pulsante Avvio/Interruzione per interrompere il processo di cottura o estrarre la spina dalla presa a muro.
- Aprire il coperchio dell'apparecchio ed estrarre lo stampo. L'impasto può essere prelevato con le mani infarinate e si possono togliere le palette impastatrici.
- Riposizionare l'impasto e chiudere l'apparecchio.
- Ricollegare la spina nella presa a muro e premere il pulsante Avvio/Interruzione. Il programma di cottura riprende. Lasciar raffreddare il pane 15-30 minuti prima di mangiarlo. Prima di tagliare il pane controllare che non siano rimaste al suo interno le palette impastatrici.

Attenzione

Non utilizzare la macchina per il pane se non si è raffreddata o scaldata. Se sul display appare "HHH" dopo aver avviato il programma, la temperatura nello stampo per il pane è troppo elevata. Arrestare il programma e scollegare immediatamente dalla presa a muro. Quindi aprire il coperchio, far raffreddare completamente la macchina prima di usarla di nuovo (tranne il programma COTTURA e MARPELLATA). Se sul

display appare "LLL" dopo aver avviato il programma, vuol dire che la temperatura nello stampo per il pane è troppo bassa.

Sistemare la macchina per il pane in un ambiente più caldo (tranne il programma COTTURA e MARPELLATA). Se sul display appare "EE0" dopo aver premuto il pulsante Avvio/Interruzione vuol dire che il circuito del sensore di temperatura è interrotto, far controllare il sensore da un esperto autorizzato. Se sul display appare "EE1", vuol dire che si è verificato un cortocircuito del sensore di temperatura.

PULIZIA E MANUTENZIONE

Scollegare la macchina dall'alimentazione e farla raffreddare prima di pulirla.

IMPORTANTE

I pezzi e gli accessori dell'apparecchio non devono essere lavati in lavastoviglie.

1. Stampo per il pane: Pulire internamente ed esternamente con un panno umido. Non usare strumenti appuntiti o abrasivi per preservare intatto il rivestimento antiaderente. Prima di montare lo stampo questo deve essere completamente asciutto.
2. Pala impastatrice: Se è difficile smontare la barra impastatrice dall'asse, riempire il contenitore con acqua calda e lasciar agire per ca. 30 minuti. A questo punto è possibile rimuovere facilmente la pala impastatrice per pulirla. Anche la pala deve essere pulita con un panno in cotone inumidito. Si noti che sia lo stampo per il pane che la pala impastatrice possono essere lavati in lavastoviglie.
3. Coperchio e vetro: pulire il coperchio internamente ed esternamente con un panno lievemente umido.
4. Alloggiamento: pulire delicatamente la superficie esterna dell'alloggiamento con un panno bagnato. Non usare detergenti abrasivi per la pulizia altrimenti si rovina la lucentezza della superficie. Non immergere l'alloggiamento in acqua per pulirlo.
5. Prima di riporre la macchina per il pane controllare che si sia raffreddata, che sia pulita e asciutta e che il coperchio sia chiuso.

DATI TECNICI:

220-240V ~ 50Hz • 850W



Smaltimento a norma:

Contribuiamo a proteggere l'ambiente!

■ Ricordare di rispettare le normative locali: consegnare il dispositivo elettrico non funzionante a un centro di smaltimento appropriato.

ORARI DEI PROGRAMMI

Tempo di riscaldamento 60 min, tempo di pre-programmabile fino a 15 ore

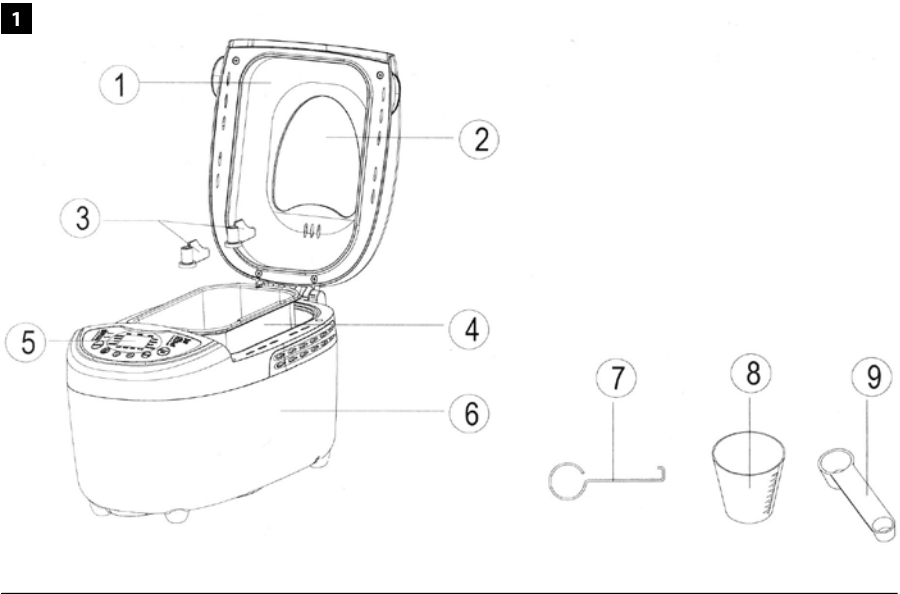
Programma	1.BASIC						2.FRENCH						3.WHOLE WHEAT					
	Light/medium/dark			RAPID			Light/medium/dark			RAPID			Light/medium/dark			RAPID		
Dimensioni	1250g	1000g	750g	1250g	1000g	750g	1250g	1000g	750g	1250g	1000g	750g	1250g	1000g	750g	1250g	1000g	750g
Orario di lavoro	03:15	03:05	02:58	02:25	02:20	02:14	03:25	03:18	03:13	02:30	02:25	02:18	03:35	03:25	03:18	02:35	02:30	02:24
Riscaldare	20	15	15	0	0	0	15	10	10	-	-	-	20	15	15	0	0	0
Impastare 1	13	13	12	13	13	12	15	12	12	13	13	12	12	12	11	13	13	11
Salire 1	25	25	25	10	10	10	20	20	20	10	10	10	30	30	30	10	10	10
Impastare 2	12	12	10	9	9	8	15	15	13	9	9	8	15	15	13	9	9	9
Salire 2	30	30	30	18	18	18	35	41	43	18	18	18	38	38	38	23	23	23
Salire 3	30	30	30	30	30	30	35	35	35	30	30	30	35	35	35	35	35	35
Informare	65	60	56	65	60	56	70	65	60	70	65	60	65	60	56	65	60	56
+ frutta	02:10	02:05	02:01	01:58	01:53	01:49	02:28	02:29	02:26	02:03	01:58	01:53	02:26	02:21	02:17	02:08	02:03	01:59

Programma	4.SWEET						5.SUPER RAPID			8.BUTTER MILK			9.GLUTEN FREE		
	Light/medium/dark			RAPID			Light/medium/dark			Light/medium/dark			Light/medium/dark		
Dimensioni	1250g	1000g	750g	1250g	1000g	750g	1250g	1000g	750g	1250g	1000g	750g	1250g	1000g	750g
Orario di lavoro	03:10	03:01	02:56	02:20	02:16	02:10	1:20	01:18	01:15	03:30	03:21	03:17	02:25	02:20	02:14
Riscaldare	15	10	10	0	0	0	-	-	-	30	25	25	0	0	0
Impastare 1	12	12	12	12	12	11	8	8	8	10	10	10	13	13	12
Salire 1	25	25	25	10	10	10	-	-	-	20	20	20	10	10	10
Impastare 2	13	13	12	10	10	8	7	7	7	15	15	15	9	9	8
Salire 2	35	35	35	18	18	18	0	0	0	45	45	45	18	18	18
Salire 3	30	30	30	30	30	30	-	-	-	30	30	30	30	30	30
Informare	60	56	52	60	56	52	45	43	40	60	56	52	65	60	56
+ frutta	02:11	02:07	02:03	01:54	01:50	01:46	01:10	01:08	01:05	02:23	02:19	02:15	01:58	01:53	01:49

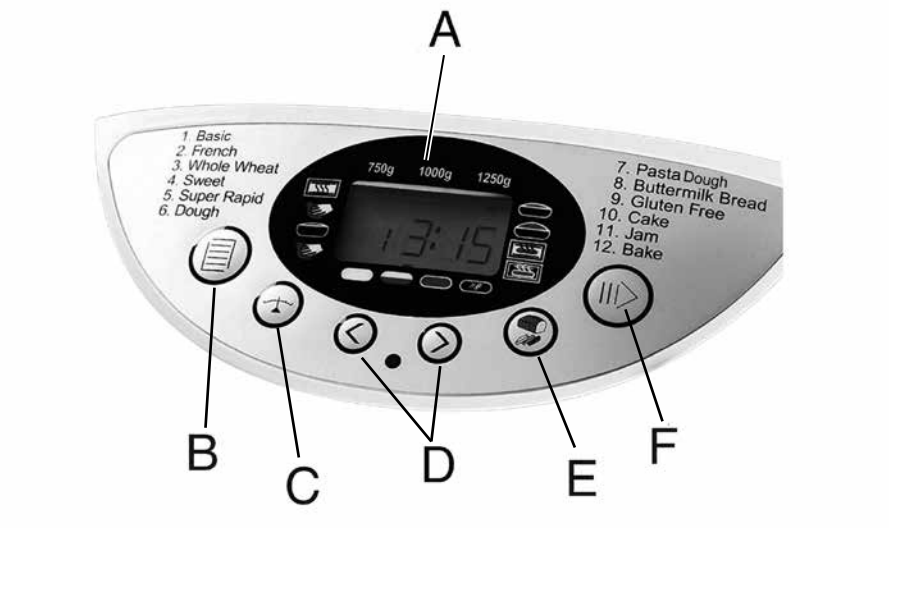
Programmi di pasta

Programma	6.DOUGH	7.PASTA DOUGH
Dimensioni	750-1250 g	750-1250 g
Orario di lavoro	01:50	00:15
Riscaldare	10	-
Impastare 1	12	15
Salire 1	10	-
Impastare 2	8	0
Salire 2	25	0
Salire 3	45	-
+ frutta	01:15	-
Tempo di ritardo	15 hour	15hour

Programma	10.CAKE			11.JAM	12.BAKE
Crosta	Light/medium/dark			-	Light/medium/dark
Dimensioni	1250g	1000g	750g	-	-
Orario di lavoro	01:40	01:35	01:30	01:20	01:00
Impastare 1	15	15	15	45	0
Informare	70	65	60	20	60
Tenere in caldo	60	60	60	-	60
Tempo di ritardo	15hour	15hour	15hour	-	15hour



2



ملاحظة

لاستخدم أبداً كميات أكبر من الكميات المحددة؛ حيث من الممكن أن يخرج العجين الأكثر من اللازم من قالب الخبز، ويتساقط على عناصر التسخين الساخنة، مما يتسبب في حدوث حريق. ماكس 800 جرام الطحين و 6 جرام الخميرة!

صنع الخبز

التجهيز

يجب ملاحظة تعليمات السلامة جاء في هذا الدليل. ضع جهاز صنع الخبز على قاعدة مستوية وصلبة.

- اجذب قالب الخبز إلى أعلى لإخراجه من الجهاز.
- ادفع مضارب العجن على أعمدة التشغيل الموجودة في قالب الخبز. تأكد من تثبيتها في المكان بشكل محكم.
- ضع المكونات الخاصة بالوصفة في قالب الخبز وفقاً للترتيب المذكور. أضف السوائل أولاً، ثم السكر والملح، ثم الدقيق، ثم تضاف الخميرة كمكون أخير.

ملاحظة : تأكد من عدم ملاسة الخميرة للمكونات السائلة أو الملح.

راجع الوصفة، وذلك لمعرفة أكبر كميات يمكن استخدامها من الدقيق والخميرة.

- أرجع قالب الخبز إلى مكانه في الجهاز. تأكد من وضع قالب الخبز بشكل صحيح.
- أغلق غطاء الجهاز.
- أدخل القابس (الفيشة) في مقبس (بريزة) مصدر التيار الكهربى. سوف تصدر إشارة سمعية، كما سوف يظهر على شاشة العرض رقم البرنامج والفترة الزمنية للبرنامج 1 المعتاد.
- قم باختيار البرنامج الذي ترغب فيه باستخدام زر القائمة. يتم تأكيد كل قيمة يجري إدخالها عن طريق سماع إشارة سمعية.
- قم باختيار لون الرغيف الذي ترغب فيه، سوف تبن العلامات التي تظهر على الشاشة ماإذا كنت قد اخترت اللون الفاتح، أو المتوسط أو الداكن. كما يمكنك أيضاً اختيار الإعداد Rapid وذلك لتقصير الفترة الزمنية للخبز.

ملاحظة

وظيفة درجة لون الرغيف (browning degree) غير متاحة في البرامج أرقام 6، 7، 11.

9. لديك الآن الإمكانية لإعداد وقت إنهاء البرنامج؛ وذلك عن طريق وظيفة المؤقت. يمكنك إدخال التأخير بحد أقصى 15 ساعة.

ملاحظة

وظيفة التأخير غير متاحة بالنسبة للبرنامج 11.

بدء البرنامج

يمكنك الآن بدء تشغيل البرنامج باستخدام زر Start/Stop.

سوف يقوم البرنامج بالتشغيل الأوتوماتيكي للعديد من العمليات. يمكنك متابعة تتابع البرنامج؛ وذلك عن طريق النافذة الخاصة بجهاز صنع الخبز الخاص بك. يمكن، بين حين وآخر، حدوث تكثيف في النافذة وذلك في أثناء عملية الخبز. يمكن فتح غطاء الجهاز أثناء عملية العجن.

ملاحظة

لافتح غطاء الجهاز أثناء عملية الخبز. حيث من الممكن أن يتسبب ذلك في هبوط الخبز.

نصيحة :افحص مدى اتساق العجينة بعد مرور 5 دقائق من عملية العجن؛ يجب أن تكون العجينة عبارة عن كتلة طرية ولزجة. أضف إليها قليلاً من السائل وذلك إذا كانت جافة. أضف بعضاً من الدقيق (من نصف ملعقة شاي إلى ملعقة كاملة مرة واحدة أو أكثر، تبعاً للحاجة)؛ وذلك إذا كانت العجينة رطبة أكثر من اللازم.

إنهاء البرنامج

بعد اكتمال عملية الخبز، سوف يتم سماع 10 إشارات سمعية كما سوف تظهر على شاشة العرض 0:00؛ وكذلك سوف يقوم الجهاز عند نهاية البرنامج وبشكل أوتوماتيكي بالتغيير إلى نمط التدفئة لغاية 60 دقيقة، وفي هذا النمط، يتم تدوير الهواء الساخن داخل الجهاز. يمكنك إنهاء وظيفة التسخين قبل الوقت المحدد، وذلك بالاستمرار في الضغط على زر Start/Stop ، وذلك لحين سماع 2 إشارة سمعية.

تحذير

قم بفصل قابس (فيشة) الجهاز من مقبس (بريزة) مصدر التيار الكهربى؛ وذلك قبل فتح غطاء الجهاز. لايجب أبداً ترك الجهاز موصلاً بمصدر التيار الكهربى؛ وذلك في حالة عدم استخدام الجهاز!

إخراج الخبز من الجهاز

يجب استخدام أجزاء مسك الإناء أو قفازات الفرن؛ وذلك عند إخراج الخبز من قالب الخبز. أمسك بقالب الخبز بميل فوق شبكة، وقرم بالهز الخفيف إلى أن ينزلق الخبز إلى خارج قالب الخبز. إذا لم يتم إنزلاق الخبز إلى خارج مضارب العجن؛ قم بإزالة مضارب العجن باحتراس، وذلك باستخدام مزبل مضرب العجن المزود مع الجهاز.

ملاحظة

لاستخدم أي جسم معدني؛ حيث قد يتسبب ذلك في خدش الطلاء غير القابل للالتصاق. بعد إزالة الخبز، قم فوراً بشطف قالب الخبز بالماء الدافئ. حيث من شأن ذلك منع مضارب العجن من الالتصاق على عمود التشغيل.

برنامج الخبز 4: الحلوى (SWEET)

لأنواع الخبز التي تشتمل على إضافات مثل عصائر الفاكهة، وجوز الهند المشور، والزبيب، والفاكهة المجففة، والشيكولاته أو السكر المضاف. يكون الخبز خفيف ورفيق، وذلك نتيجة لطول فترة التخمر.

برنامج الخبز 5: فائق السرعة (SUPER RAPID)

عجن، وتخمر وخبز بطريقة سريعة جداً. ولكن الخبز الناتج يكون الأكثر صلابة من جميع الأنواع الأخرى.

برنامج الخبز 6: العجينة (DOUGH)

لتحضير العجين المخمر لصنع الكعك، والبيتزا أو العجائن المضفرة. وفي هذا البرنامج لا يتم إجراء عملية الخبز.

برنامج الخبز 7: عجينة الحلوى والمكرونة اللصوق (DOUGH PASTE)

لإعداد عجينة الشعرية (النودلز). وفي هذا البرنامج لا يتم إجراء عملية الخبز.

برنامج الخبز 8: الحليب الرائب (BUTTERMILK BREAD)

أنواع الخبز المصنوعة من الحليب الرائب أو الزبادي.

البرنامج 9: الخالي من الجلوتين (GLUTEN FREE)

لأنواع الخبز المصنوع من الدقيق الخالي من الجلوتين وخلطات الخبز. تتطلب أنواع الدقيق الخالي من الجلوتين فترة أطول لامتناس السوائل، كما أن لها خواص تخرم مختلفة.

برنامج الخبز 10: الكيك (CAKE)

العجن، والتخمير والخبز، ولكن يتم التخمر باستخدام الصودا أو مسحوق الخبز (باكينج باودر).

البرنامج 11: المرنى (JAM)

لصنع المربات.

البرنامج 12: التخميص (BAKE)

للخبز الإضافي للخبز الخفيف جداً، أو الذي لم يتم خبزه بشكل تام. وفي هذا البرنامج لا يتم إجراء عملية العجن أو التخمر. سوف يتم الاحتفاظ بالخبز في حالة دائئة لحوالي ساعة بعد نهاية عملية الخبز. وهو مامن شأنه منع الخبز من أن يصبح رطباً أكثر من اللازم.

- إنهاء عملية الخبز قبل موعدها، اضغط على زر Start/Stop لمدة 3 ثوان، وذلك إلى أن يتم سماع إشارة سمعية طويلة. لإيقاف عمل الجهاز، قم بفصل القابس (الفيشة) من مصدر التيار الكهربى.

يتم سماع الإشارة السمعية في أثناء تتابع البرامج 1 أ 2، 3، 4، 5، 6، 8 و 9. قم، بعد ذلك مباشرة، بإضافة الإضافات مثل الفاكهة أو المكسرات. وسوف تظهر

الأحرف "ADD". لا يتم بشر الإضافات بواسطة مضرب العجن.

إذا كنت قد قمت بإعداد مؤقت التأخير؛ فإنه يكون بإمكانك وضع جميع الإضافات داخل قالب الخبز في البداية. وفي هذه الحالة، فإنه يجب على أية حال تقطيع المكسرات إلى قطع صغيرة.

إعداد المؤقت

تسمح وظيفة المؤقت بتأخير وقت الخبز. قم بإعداد الوقت الذي ترغب فيه لإنهاء عملية الخبز؛ وذلك باستخدام مفاتيح الأسمهر < و >. اختر البرنامج الذي ترغب فيه. سوف تبن شاشة العرض الوقت المطلوب للخبز. يمكنك تغيير وقت إنهاء عملية الخبز عن طريق استخدام مفتاح السهم < و >، وفي خطوات تشمل كل منها 10 دقائق إلى نقطة زمنية تالية. استمر في الضغط على مفتاح السهم؛ وذلك لتنفيذ هذه الوظيفة بشكل أسرع. سوف يظهر على شاشة العرض الفترة الزمنية الكلية، ووقت التأخير. إذا حدث تخطي في أثناء تغيير الوقت؛ فإنه بإمكانك تصحيحه وذلك باستخدام مفتاح السهم < و >. قم بتأكيد إعداد المؤقت وذلك عن طريق زر Start/Stop. تبدأ علامة النقطتان (:) في الوميض على شاشة العرض، ويبدأ الوقت المبرمج في العمل. يتم سماع 10 إشارات سمعية، كما تظهر على شاشة العرض العلامة 0:00؛ وذلك بعد اكتمال عملية الخبز.

مثال:

الساعة الآن الثامنة صباحا، وأنت ترغب في الحصول على الخبز الطازج في خلال 7 ساعات و 15 دقيقة، أي في الساعة الثالثة والربع بعد الظهر. قم باختيار البرنامج 1، ثم اضغط على زر المؤقت إلى أن تظهر 7:15 على الشاشة، وذلك حيث أن الوقت المطلوب حتي يتم الخبز هو 7 ساعات و 15 دقيقة. لاحظ أن وظيفة المؤقت قد لاتكون متاحة في برنامج العربية.

ملاحظة

لاستخدم وظيفة المؤقت عند استخدام المكونات سريعة التلف مثل البيض، والحليب، والكريمة أو الجبن.

قبل الخبز

يرجى أخذ العوامل التالية في الاعتبار؛ وذلك حتى يتم الحصول على عملية خبز ناجحة:

المكونات

- أخرج قالب الخبز من المبيت، وذلك قبل وضع المكونات به. إذا وصلت المكونات إلى منطقة الخبز، فقد يحدث حريق نتيجة لتسخين هذه المكونات على عناصر التسخين.
- ضع دائما المكونات في قالب الخبز وفقاً للترتيب المذكور.
- يجب أن تكون درجة حرارة المكونات هي درجة حرارة الغرفة؛ وذلك للحصول على أفضل نتيجة تخمر للخميرة.
- قم بقياس المكونات بدقة. من الممكن أن تتأثر نتائج الخبز، حتى باختلافات البسيطة عن الكميات المحددة في الوصفة.